


CAUTION




To avoid injury


- Read the Operator's instruction Book for safety information and operating instructions.
- Fasten your seat belt before tractor operation.
- Start engine only when seated in operator's seat.
- Make sure everyone is clear of tractor and equipment before starting engine or operation.
- Keep all shields, covers and guards in place and stay away from moving parts while engine is running.
- Place transmission shift lever in neutral and apply parking brake before using external 3-point hitch controls.
- Apply parking brake, lower equipment, stop engine and remove key before leaving the tractor unattended.
- Wait for all movement to stop before servicing tractor or equipment.
- Securely support or block lifted implements which must be in the raised position for servicing or adjustment.
- Couple brake pedals together for road travel.
- Use flashing warning lights and SMV emblem when on public roads, except where prohibited by law.
- Always drive with care and attention.

36149100

WARNING




USE SEAT BELT.
Keep seat belt adjusted snugly.



Do not jump if tractor tips.

36148800


WARNING



Beware of hot surfaces.

36151400


WARNING



NO RIDERS


36149000

DANGER



Start only from seat with transmission and PTO in neutral.
Starting in gear kills.


WARNING



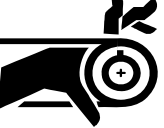
Remove negative cables from batteries before removing solenoid cover and before servicing the electrical system.

36150200

WARNING



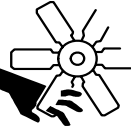
Beware hot parts.



To avoid personal injury, keep all shields, covers and guards in place while engine is running.

36150000

WARNING



Keep hands clear of fan and belts while engine is running.


36149900

WARNING


Battery posts, terminals, and related accessories contain lead and lead compounds, chemicals known to the State of California to cause cancer and reproductive harm.
Wash hands after handling.

36151500


DANGER **DANGER** **WARNING**



Pull only from approved drawbar or lower links of 3-point linkage at horizontal position or below.




Rotating driveline contact may cause serious injury or death.
Keep all driveline tractor and equipment shields in place during operation.




Stand clear when using switch to move 3 point hitch.

36150400

DANGER **DANGER**



Pull only from approved drawbar or lower links of 3-point linkage at horizontal position or below.



Rotating driveline contact may cause serious injury or death.
Keep all driveline tractor and equipment shields in place during operation.

36150500

WARNING

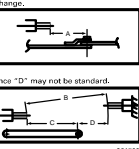
Personal injury could result from PTO driveline separation.

1. Drawbar supplied provides standard distance "A". Do not change.

PTO RPM	SHAFT SIZE	DISTANCE "A"
540	35mm (1.38 in)	358mm (14.0 in)
1000	35mm (1.38 in)	406mm (16.0 in)


2. Three-point link distance "C" and mounted implement distance "D" may not be standard.

Measure distance "B" over complete lift range for tractor and implement combination. Select driveline length to ensure that driveline will not bottom out at minimum distance "B" and will have sufficient overlap at maximum distance.



36150000


WARNING




High pressure steam and hot water.
Remove filler cap with extreme care.

36149700


DANGER



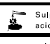
Shield eyes



Explosive gas



Avoid sparks and flame

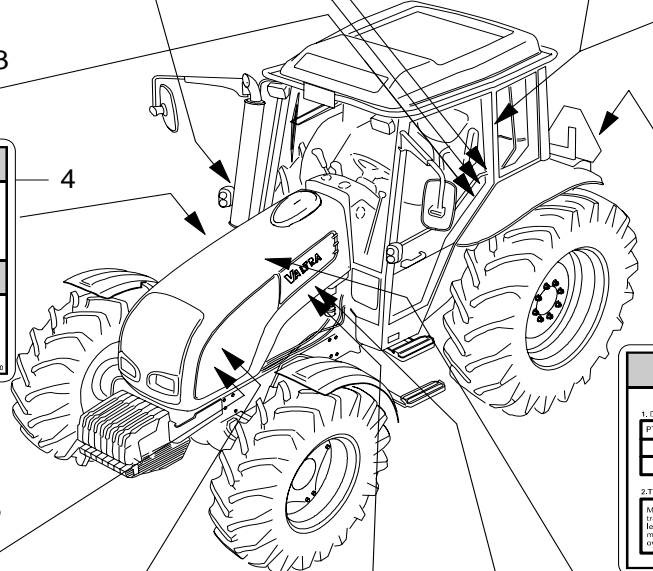


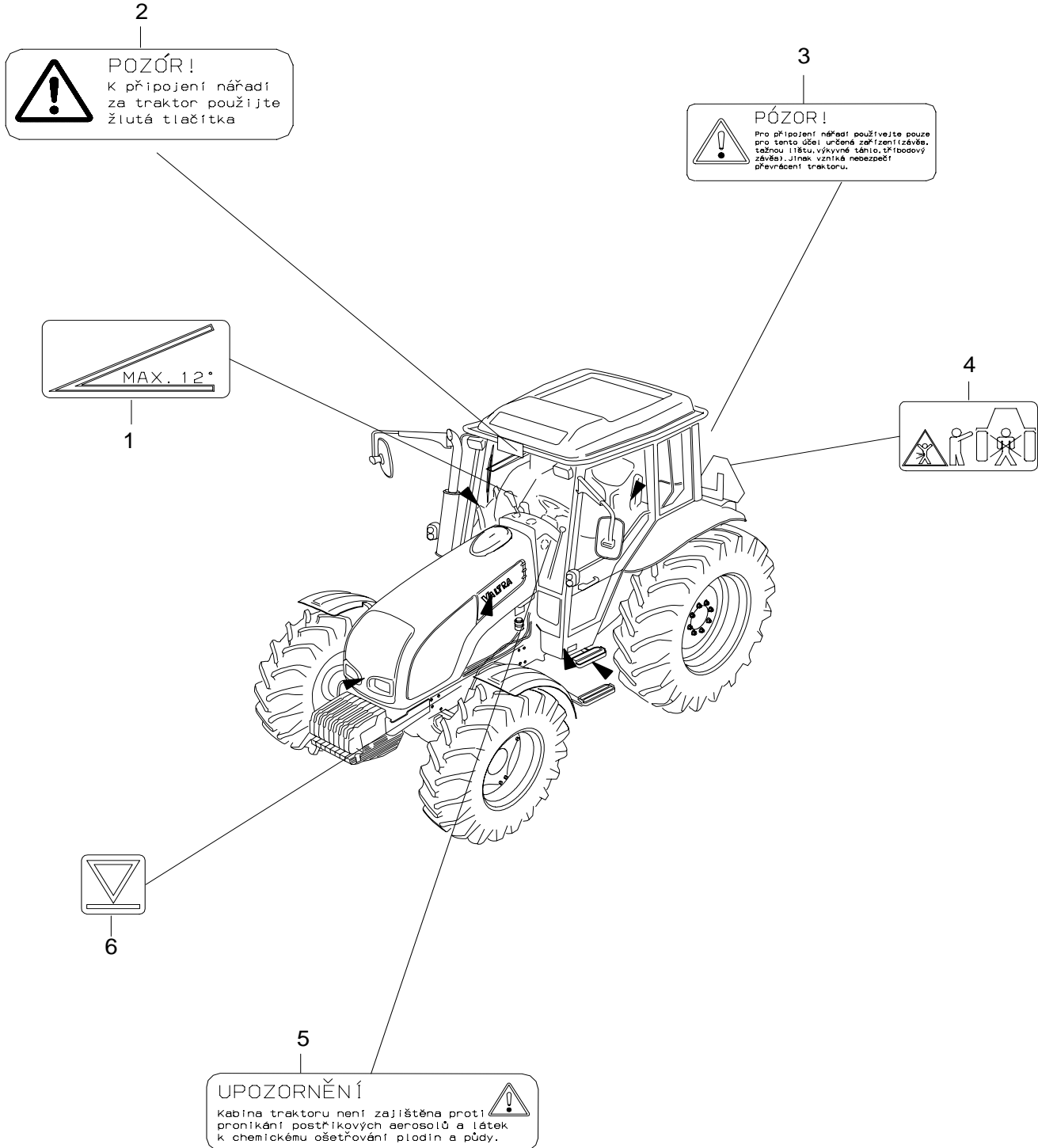
Sulphuric acid

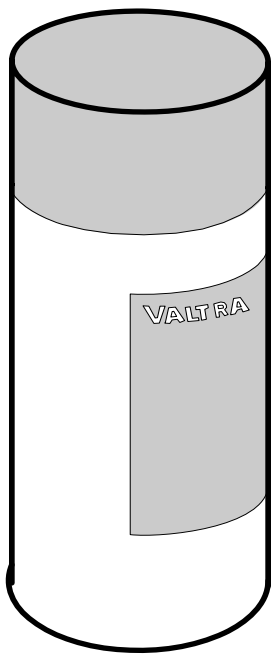
Always shield eyes and face from battery. Cigarettes, flames or sparks could cause battery to explode. Do not charge or use booster cables or adjust post connections without proper instruction or training.

POISON causes severe burns
Contains sulphuric acid. Avoid contact with skin, eyes or clothing. In event of accident flush with water and call a physician immediately. Keep out of reach of children.

36150100

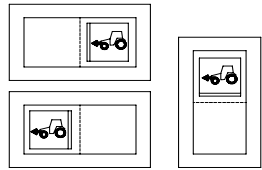






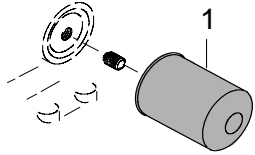


Linssin asennus
Lens adjustment

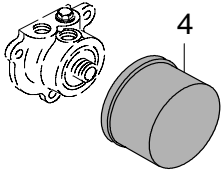


1		18		36	CONTROL STOP	52		71	FL	88	
2		19		37	CONTROL STOP	53		72		89	
3		20		38		54		73		90	
4		21		39		55		74		91	ON/OFF
5		22		40	A	56		75		92	LIGHT BAR
6		23		41	CRUISE	57		76		93	ECO
7		24		42	AUTO	59		77		94	LIGHTBAR ON/OFF
8		25		42A		60	AUTO	78		95	GPS AUTO OFF
9		26	AUTO	43		61	ISO	79		96	ON/OFF
10		27		44		62	ISO	80		97	
11		29		45		64	N AUTO	81		98	REC
12		30	AUTO	46		65		82		99	
13		31	5 MAX. min	47		66	REC 1 0 UP	83		100	
14		32	5 MAX. min	48	STOP	67	FRONT PUMP OFF/LS	84			
15		33		49		68	LS/CP	85			
16		34		50		69	FL/RV	86			
17		35	AUTO CONTROL	51		70	FL	87	REC 1 0 UP		
		35A	AUTO CONTROL								

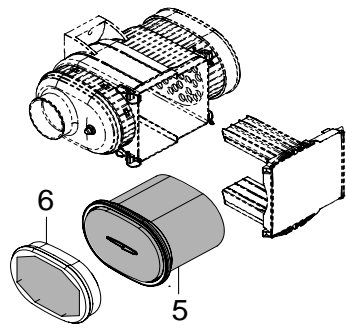
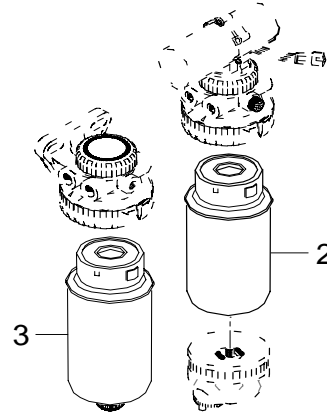
OIL FILTER ENGINE



OIL FILTER GEARBOX

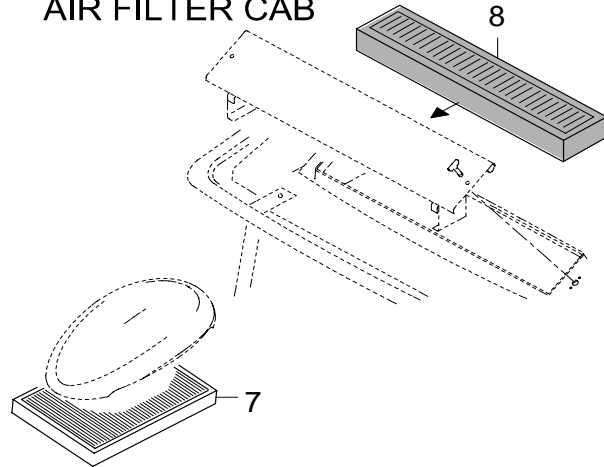


FUEL FILTER



AIR FILTER ENGINE

AIR FILTER CAB



HYDRAULIC FILTERS

