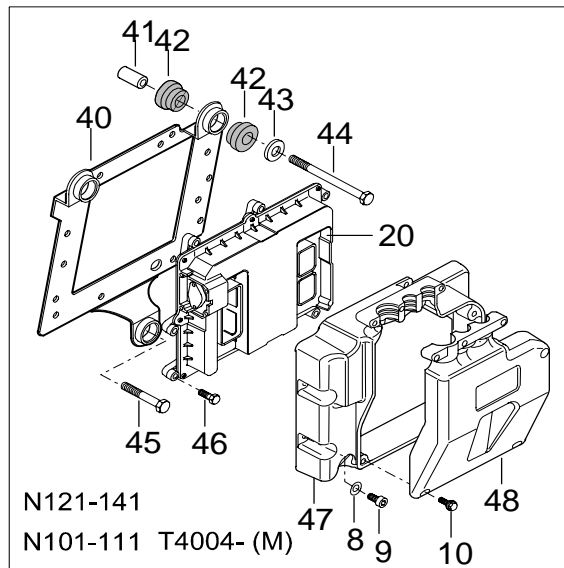
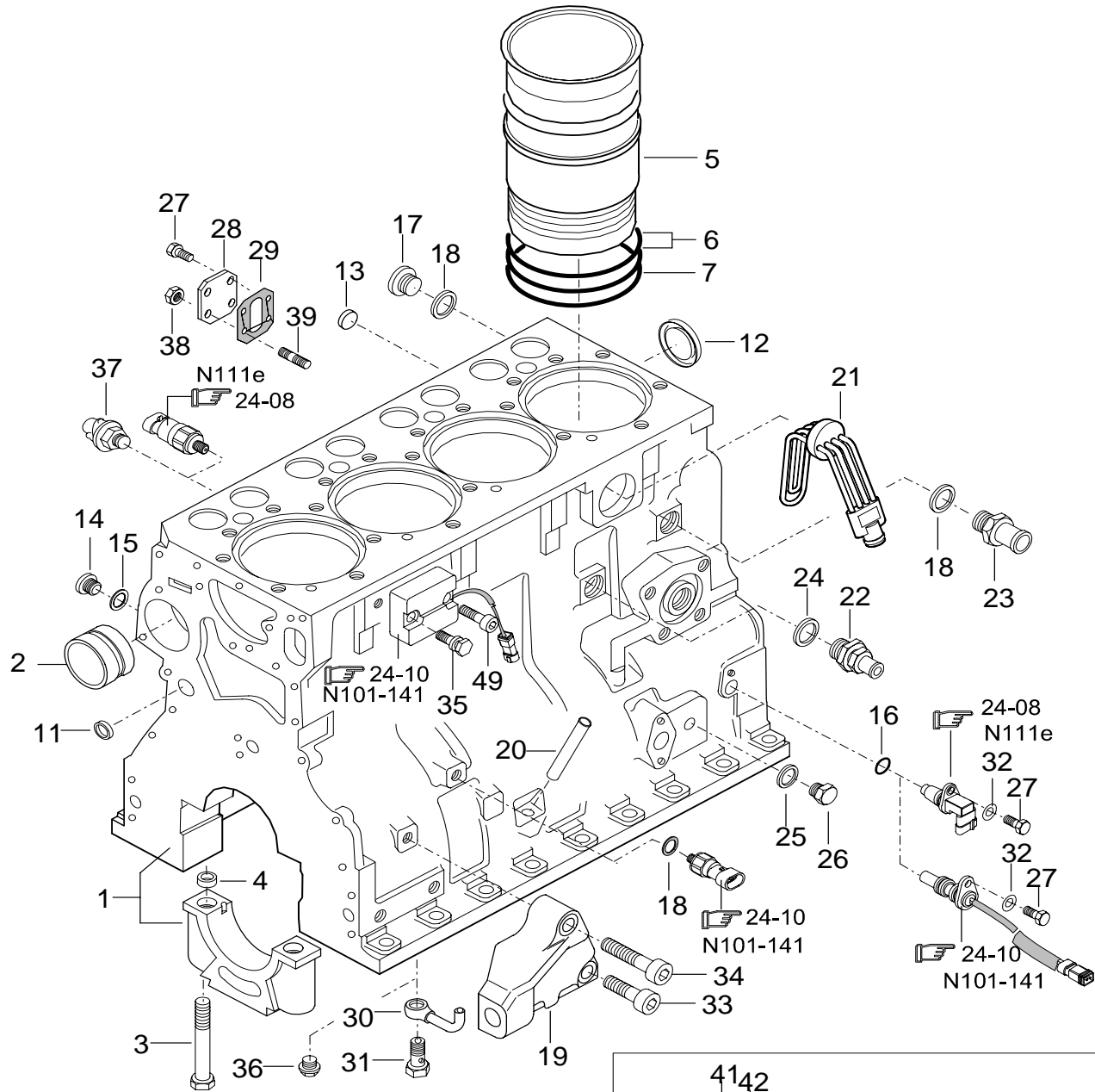
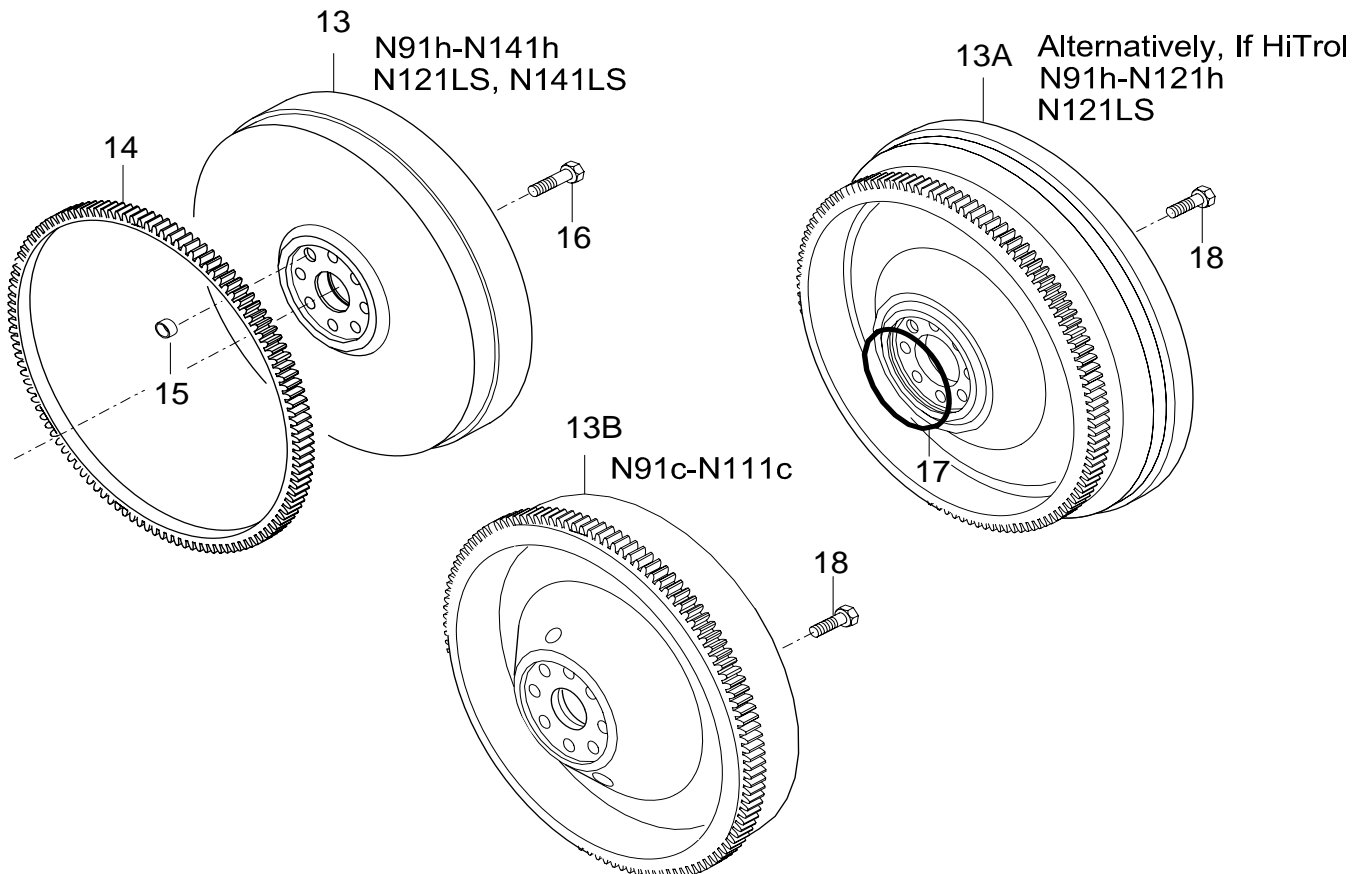
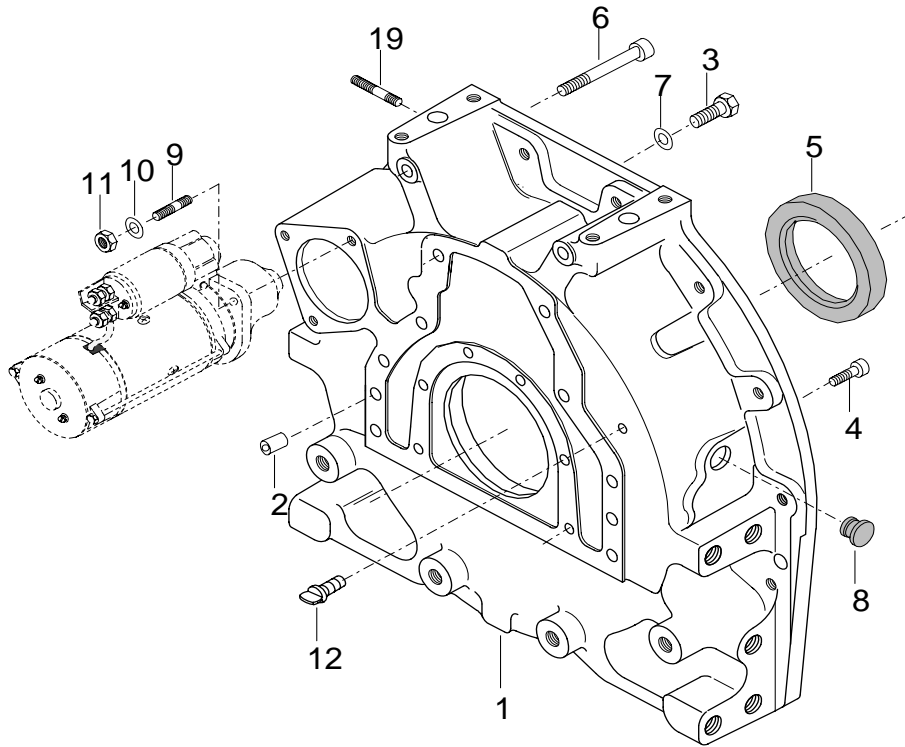
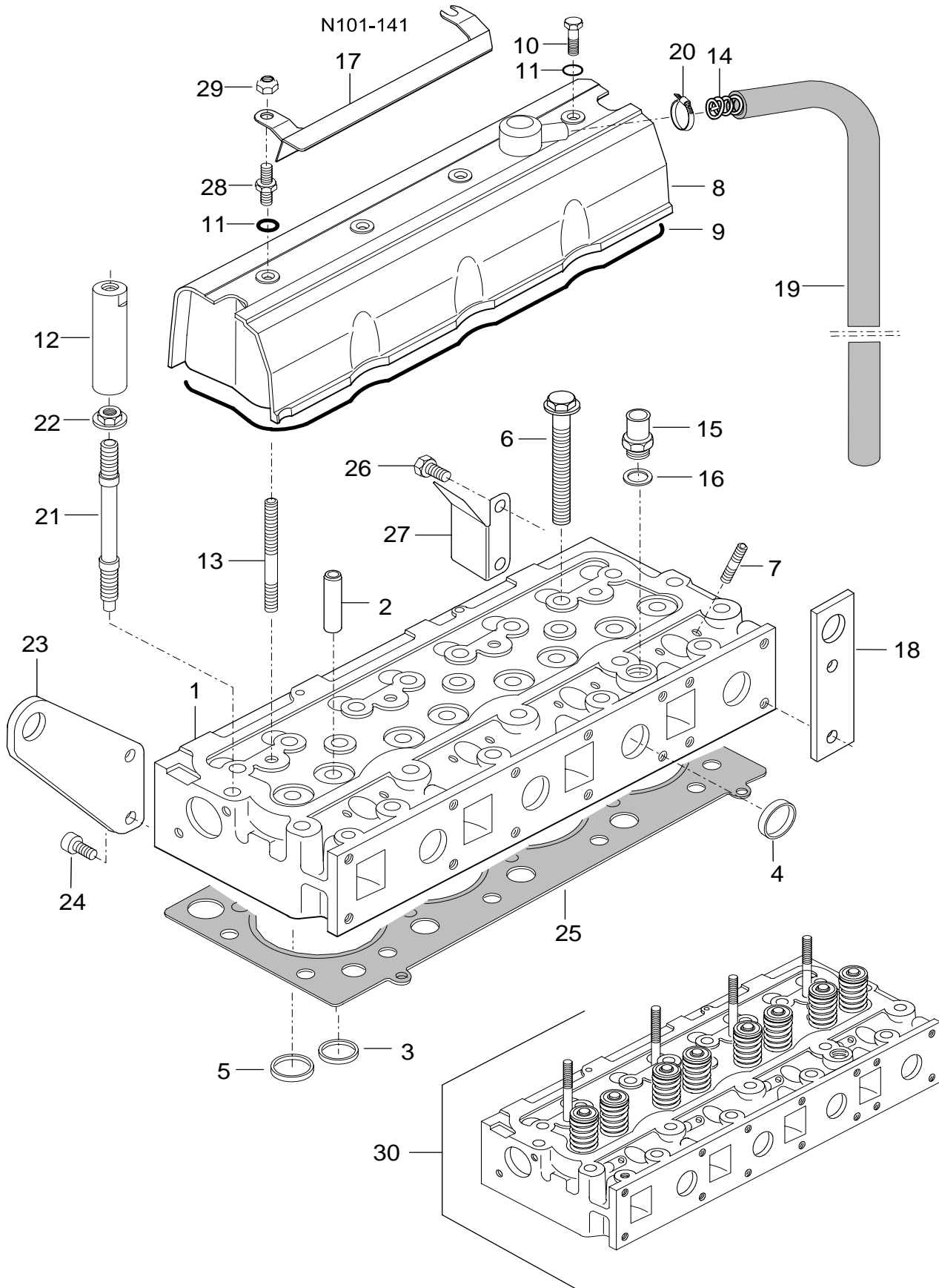
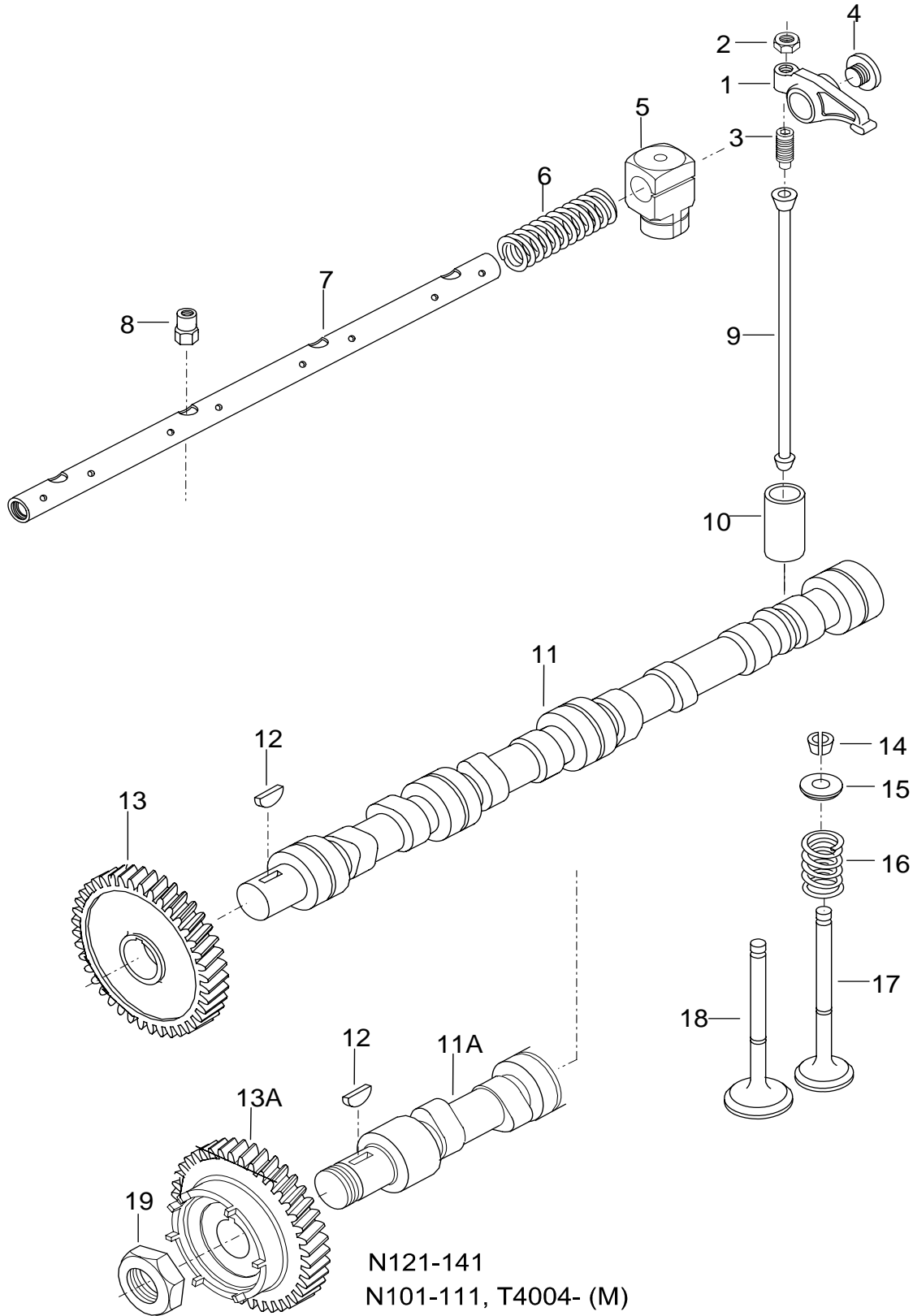


25.5.2007
 N91c, N91h, N101c,
 N101h, N111c, N111h,
 N111eh, N121h,
 N121LS, N141h, N141LS



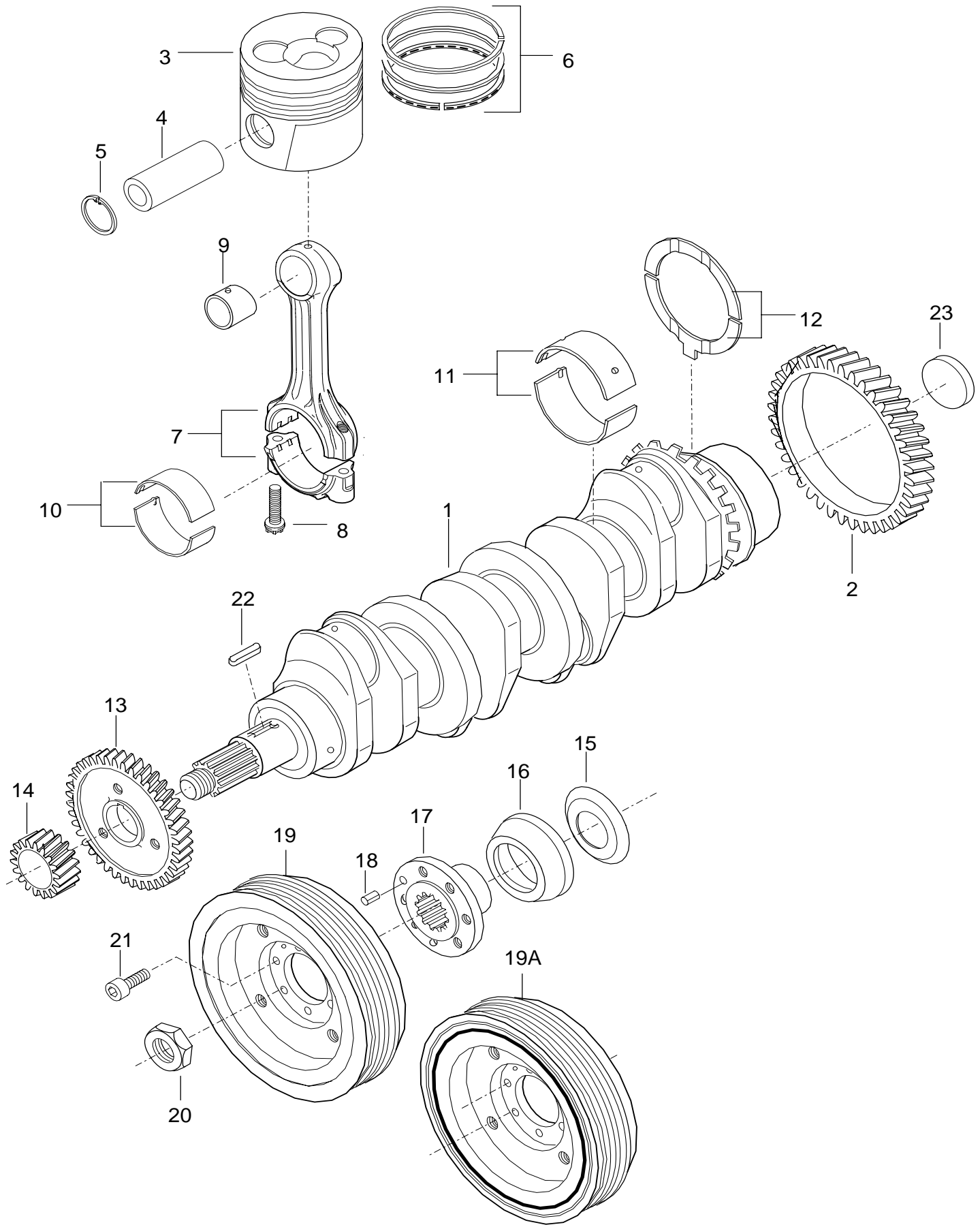




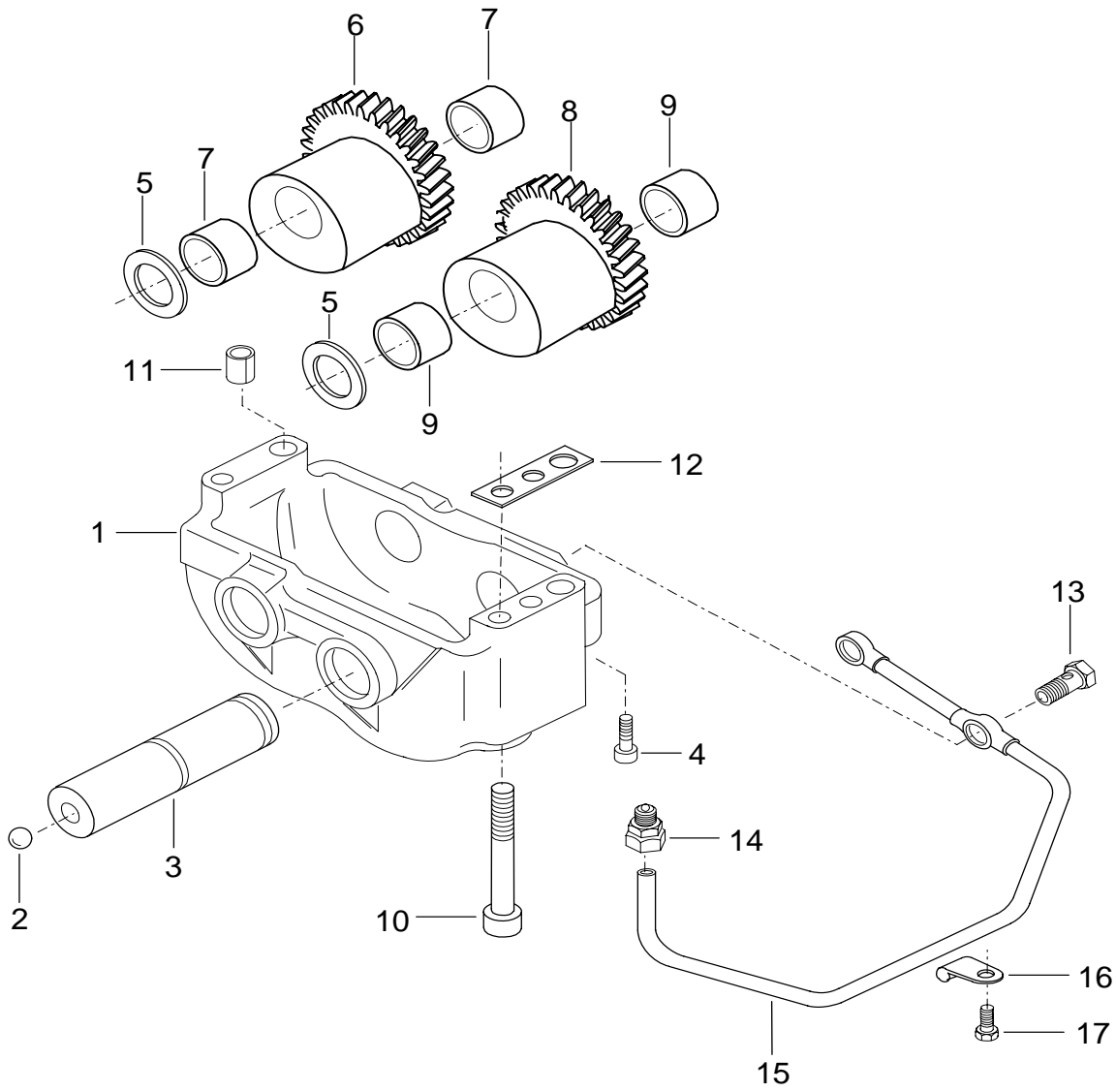


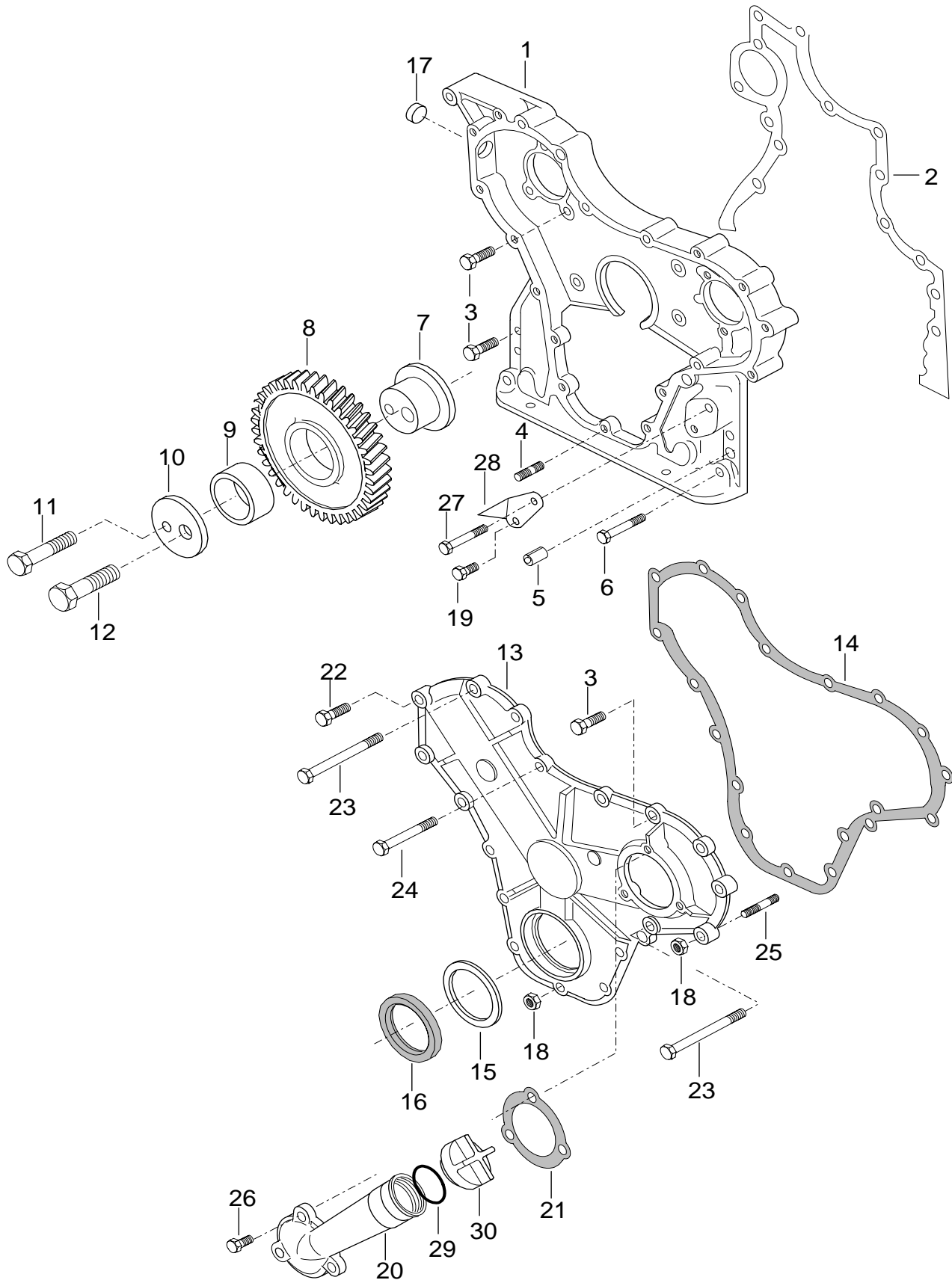
25.5.2007

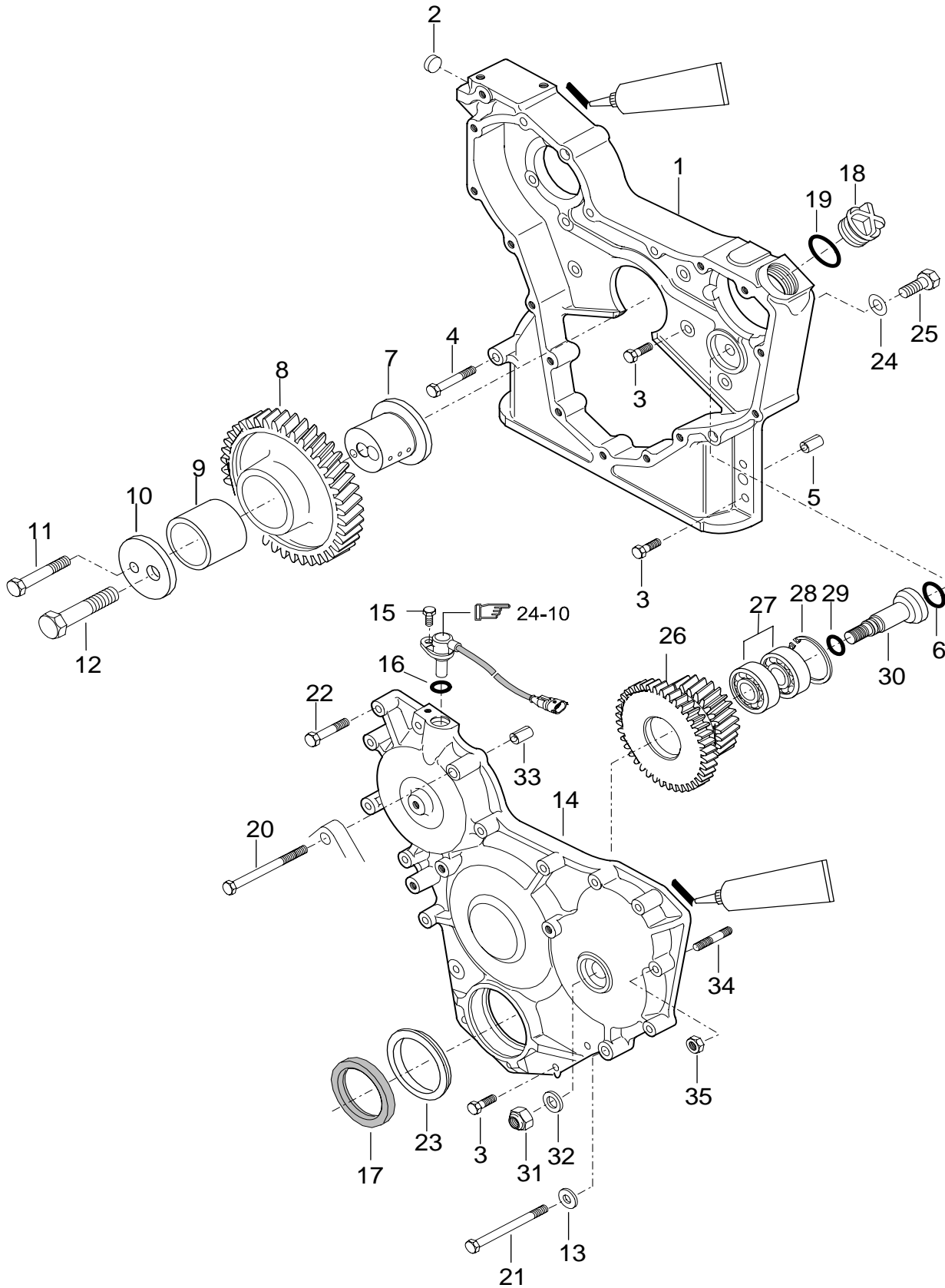
N91c, N91h, N101c,
N101h, N111c, N111h,
N111eh, N121h,
N121LS, N141h, N141LS



25.5.2007

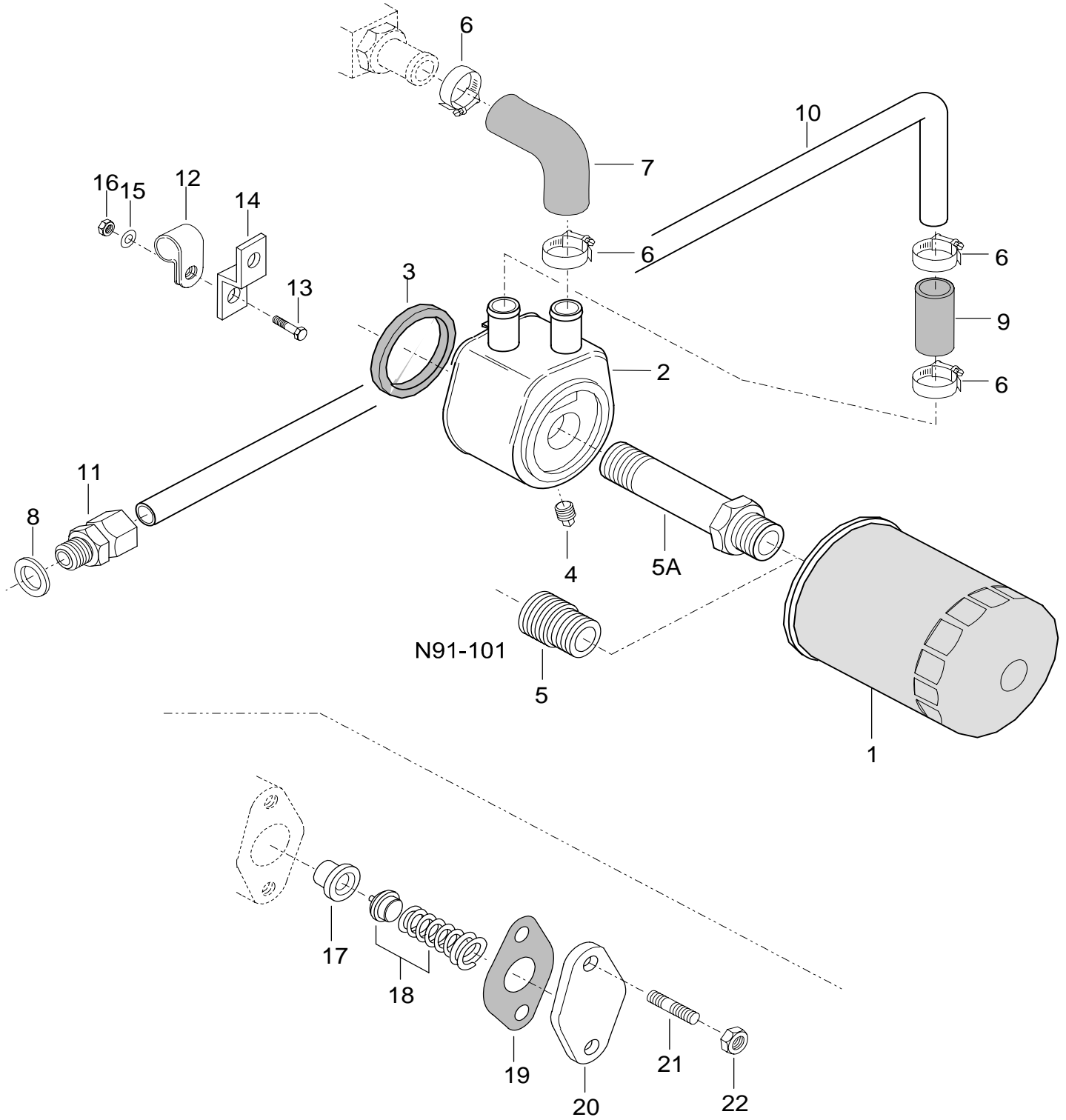
N91c, N91h, N101c,
N101h, N111c, N111h,
N111eh, N121h,
N121LS, N141h, N141LS





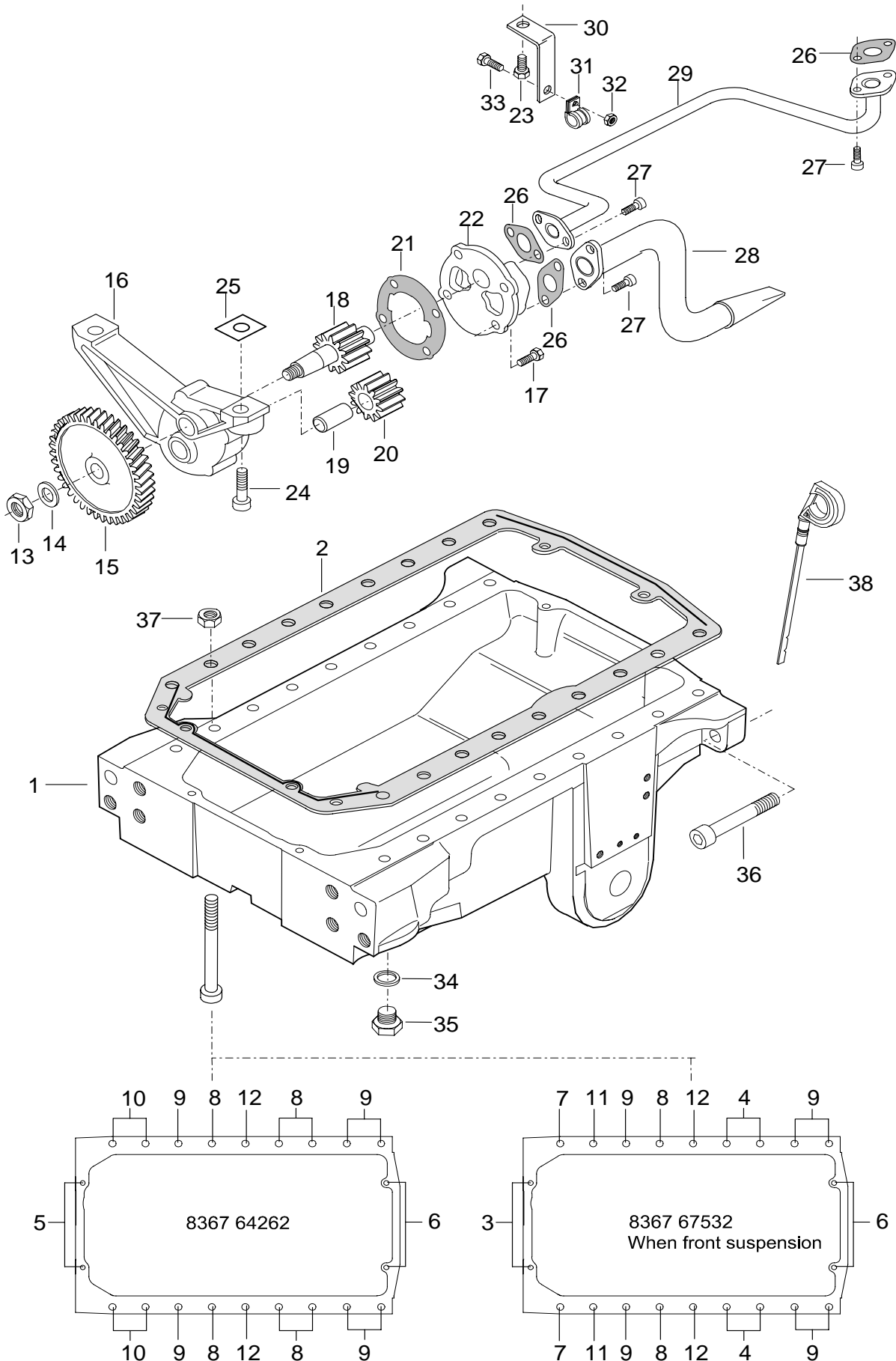
25.5.2007

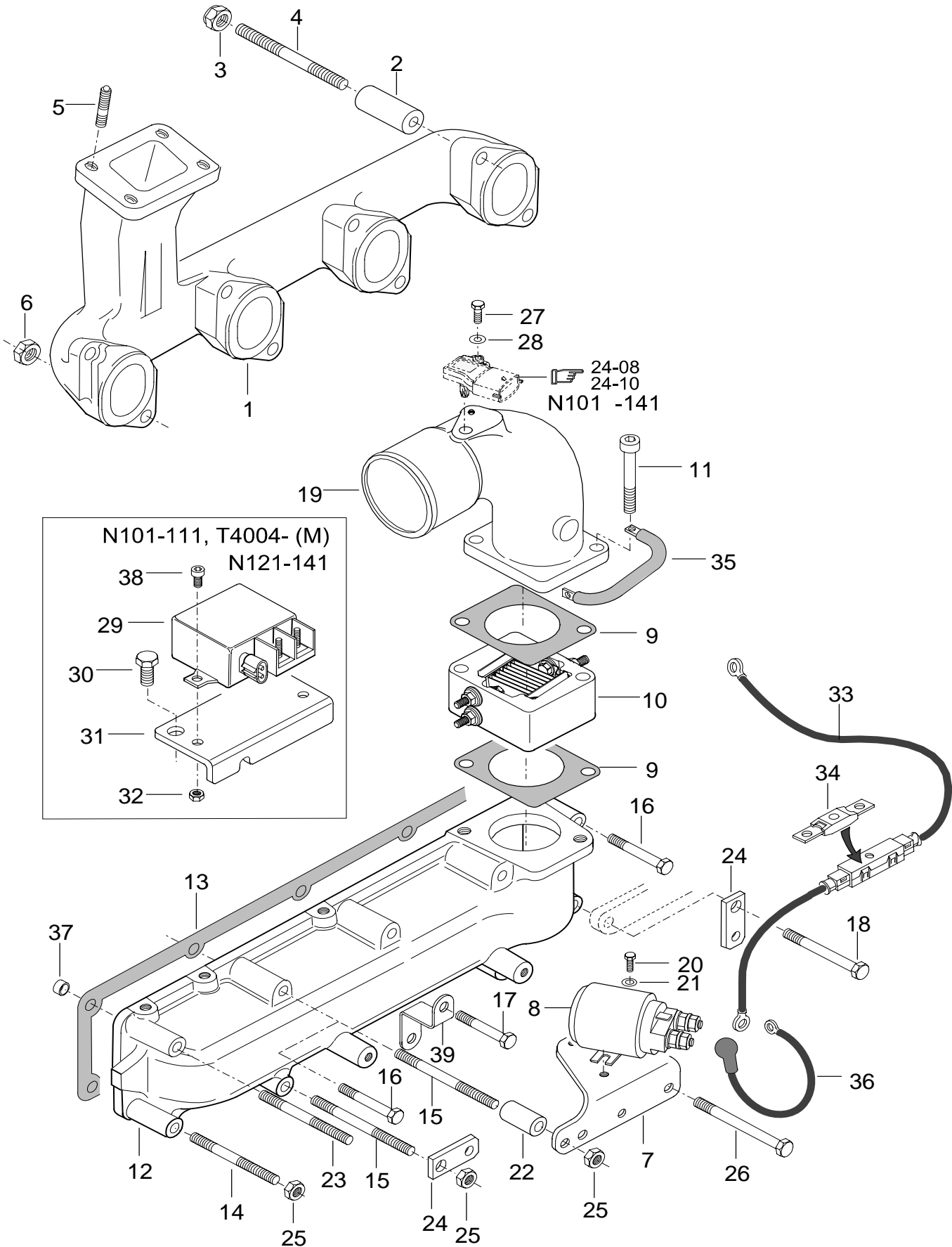
N91c, N91h, N101c,
N101h, N111c, N111h,
N111eh, N121h,
N121LS, N141h, N141LS

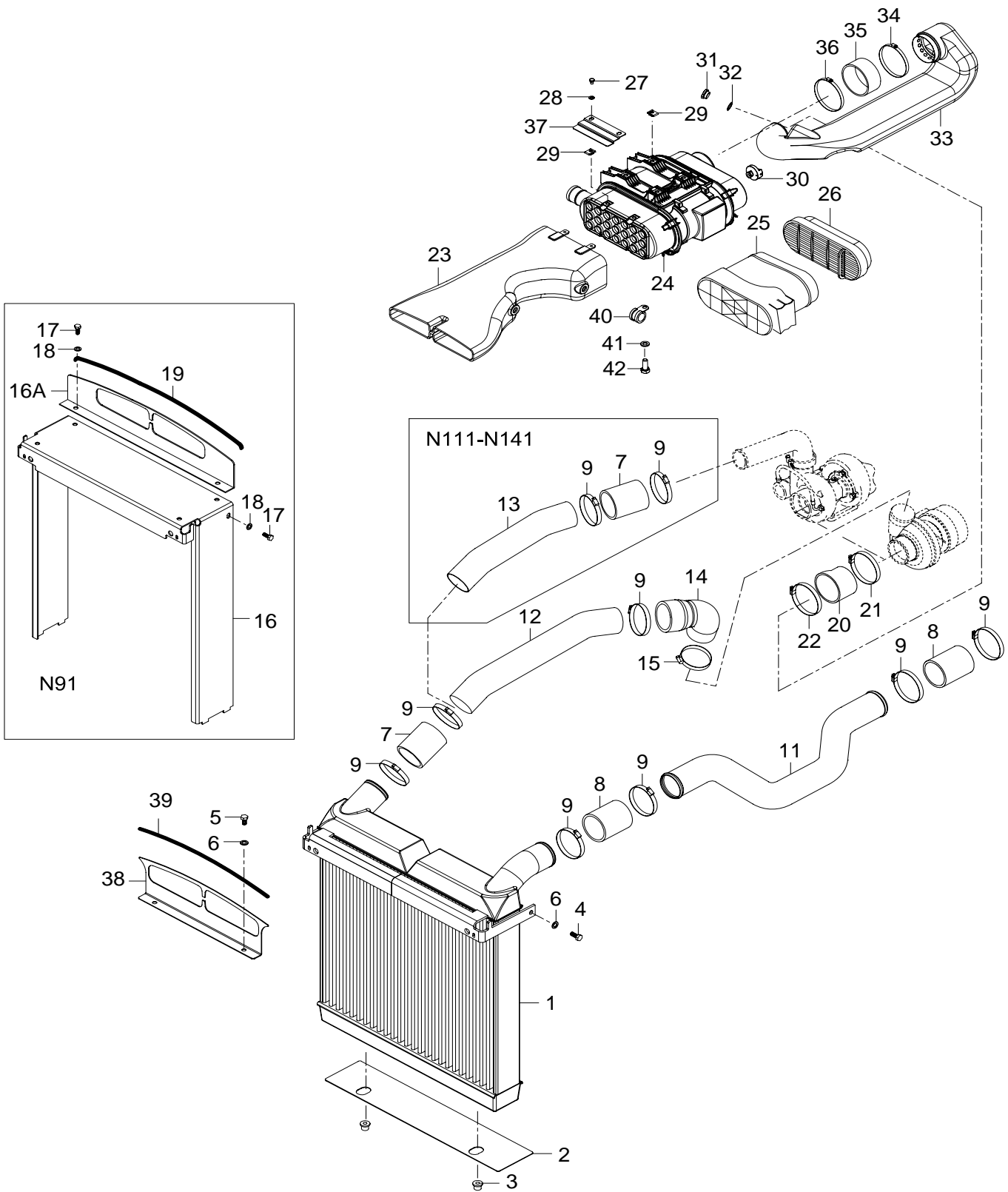


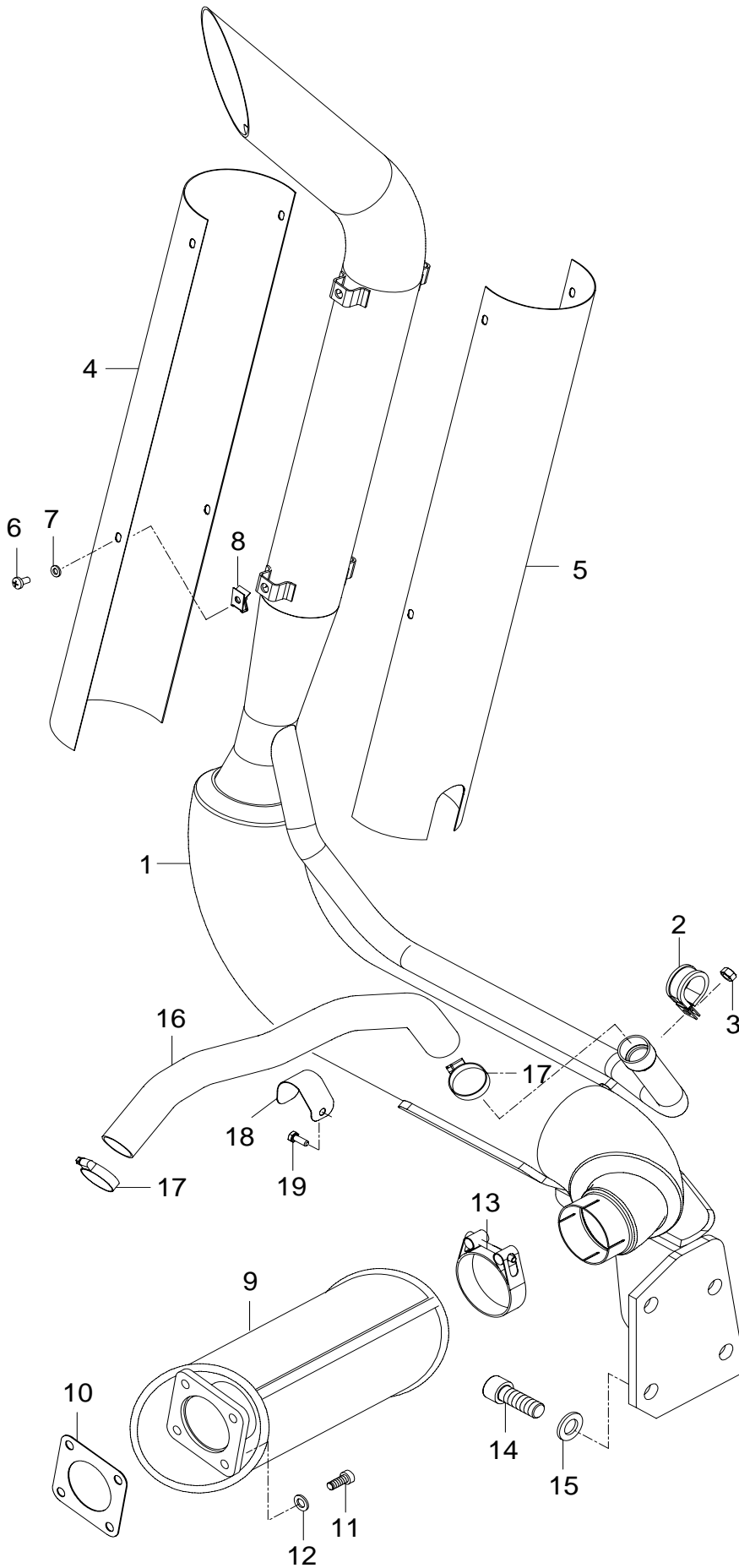
25.5.2007

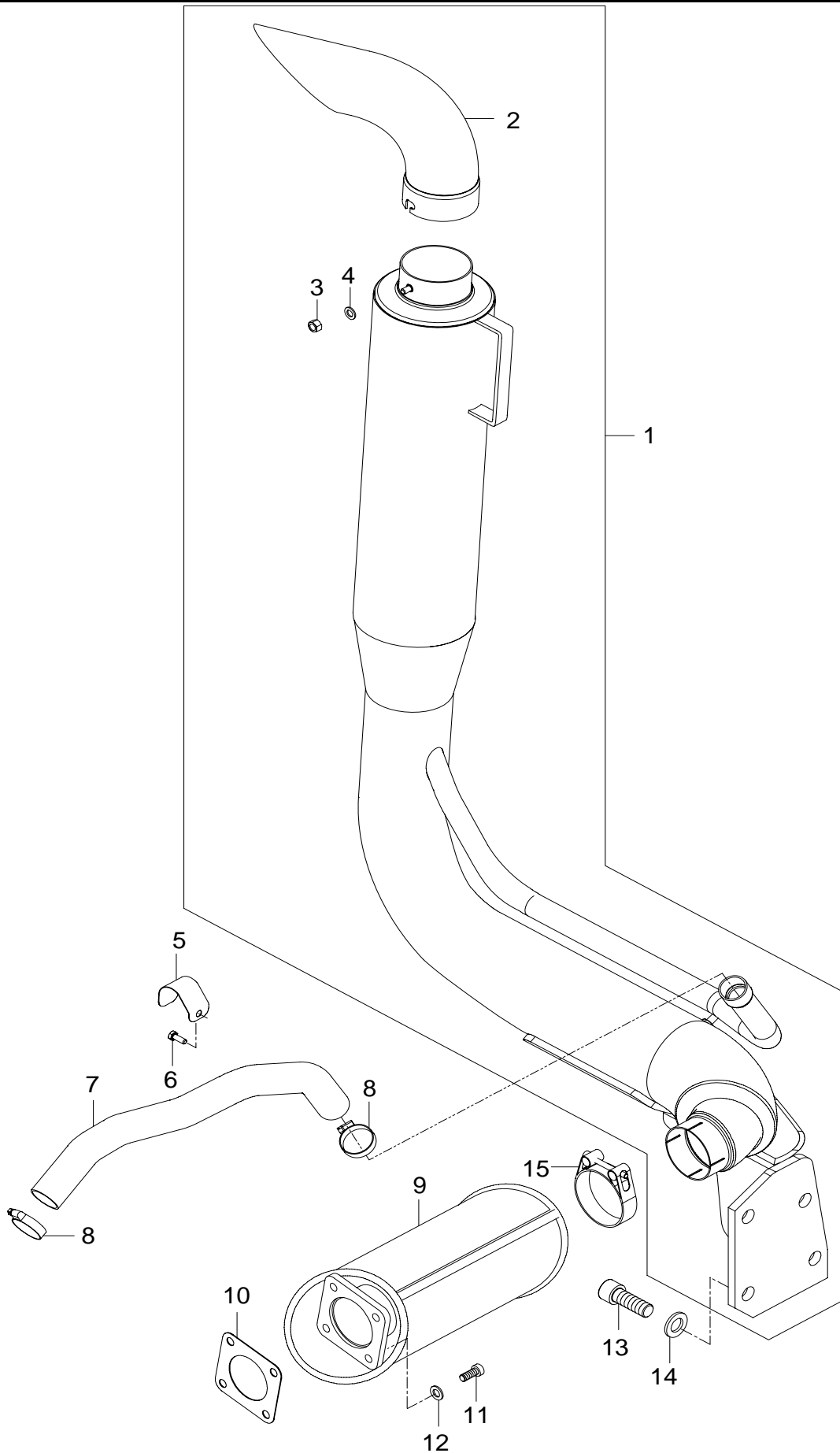
N91c, N91h, N101c,
N101h, N111c, N111h,
N111eh, N121h,
N121LS, N141h, N141LS

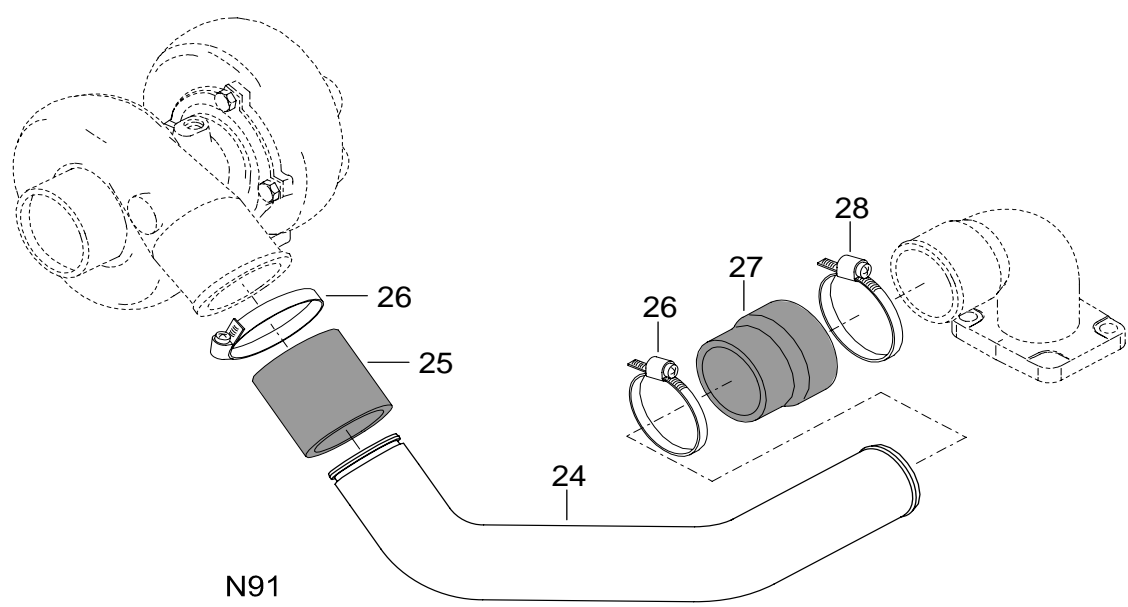
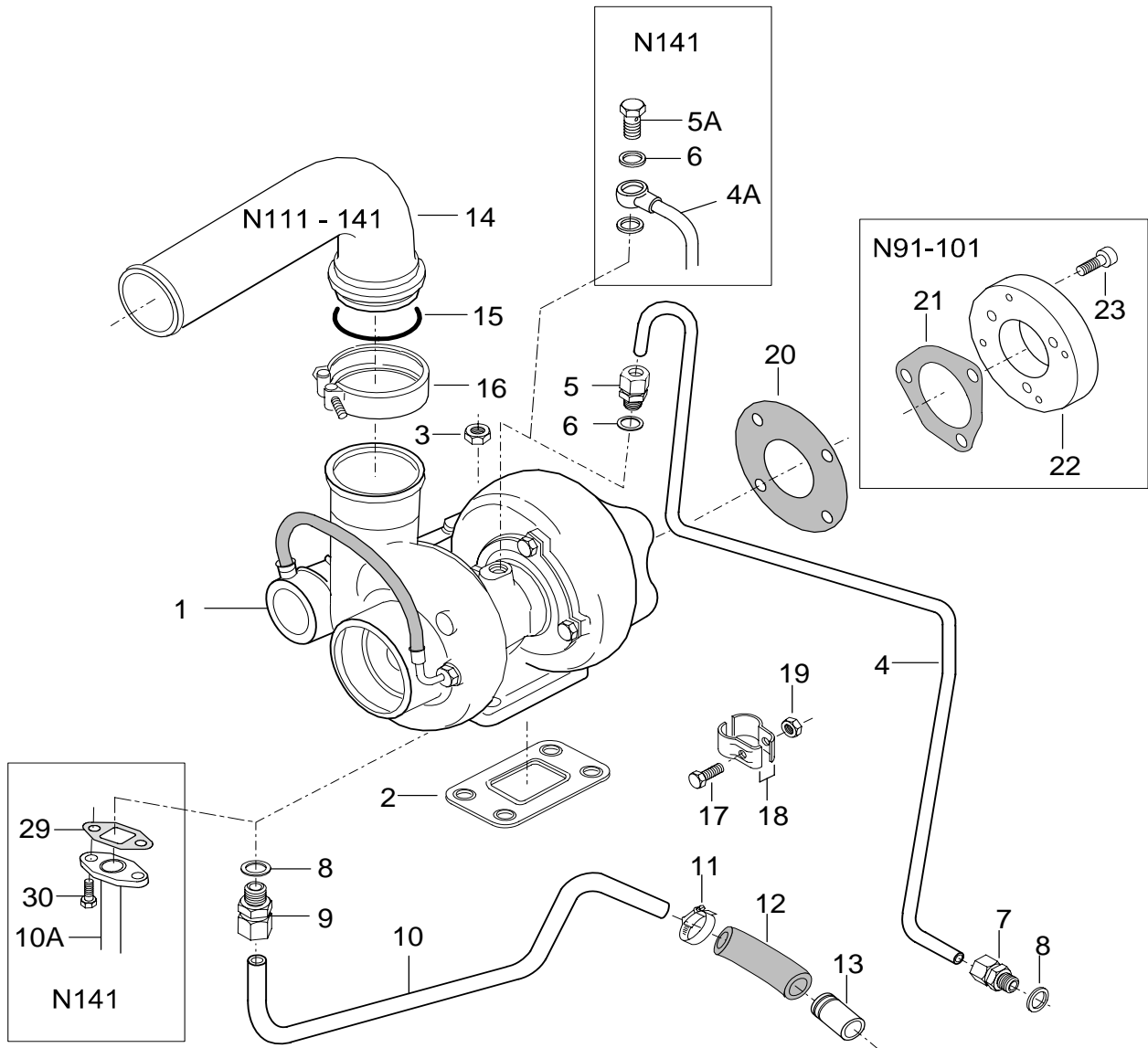


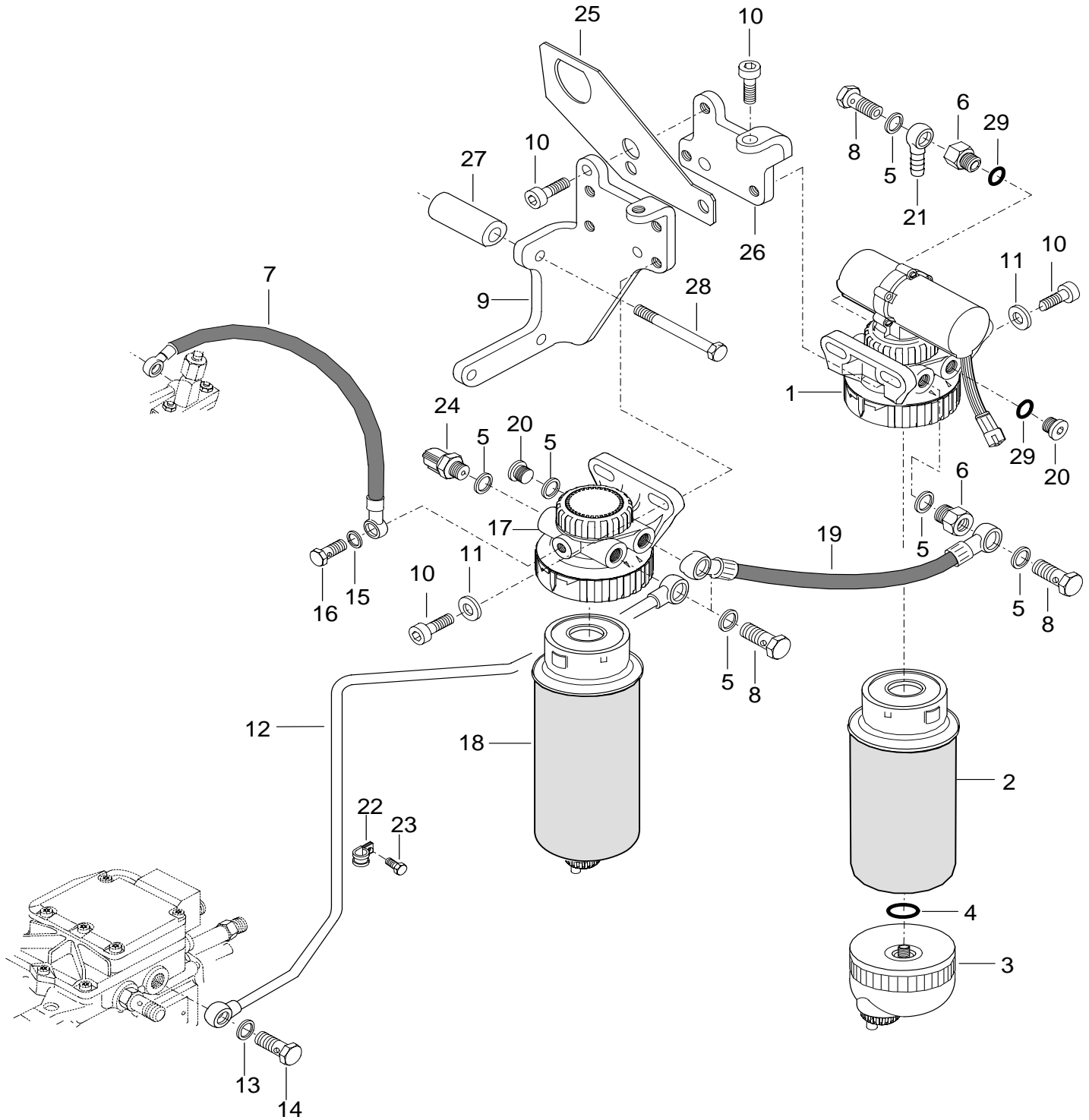






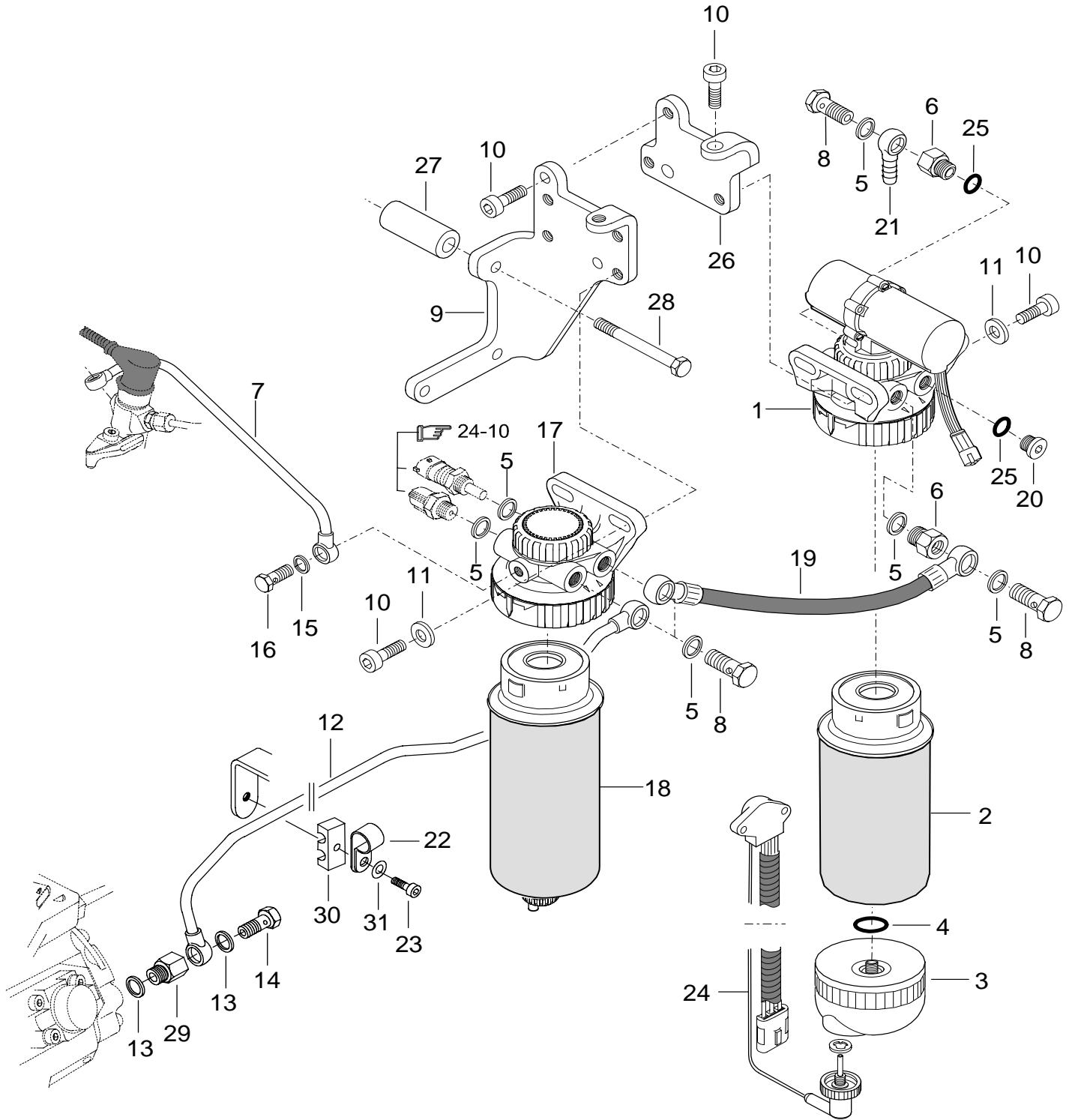






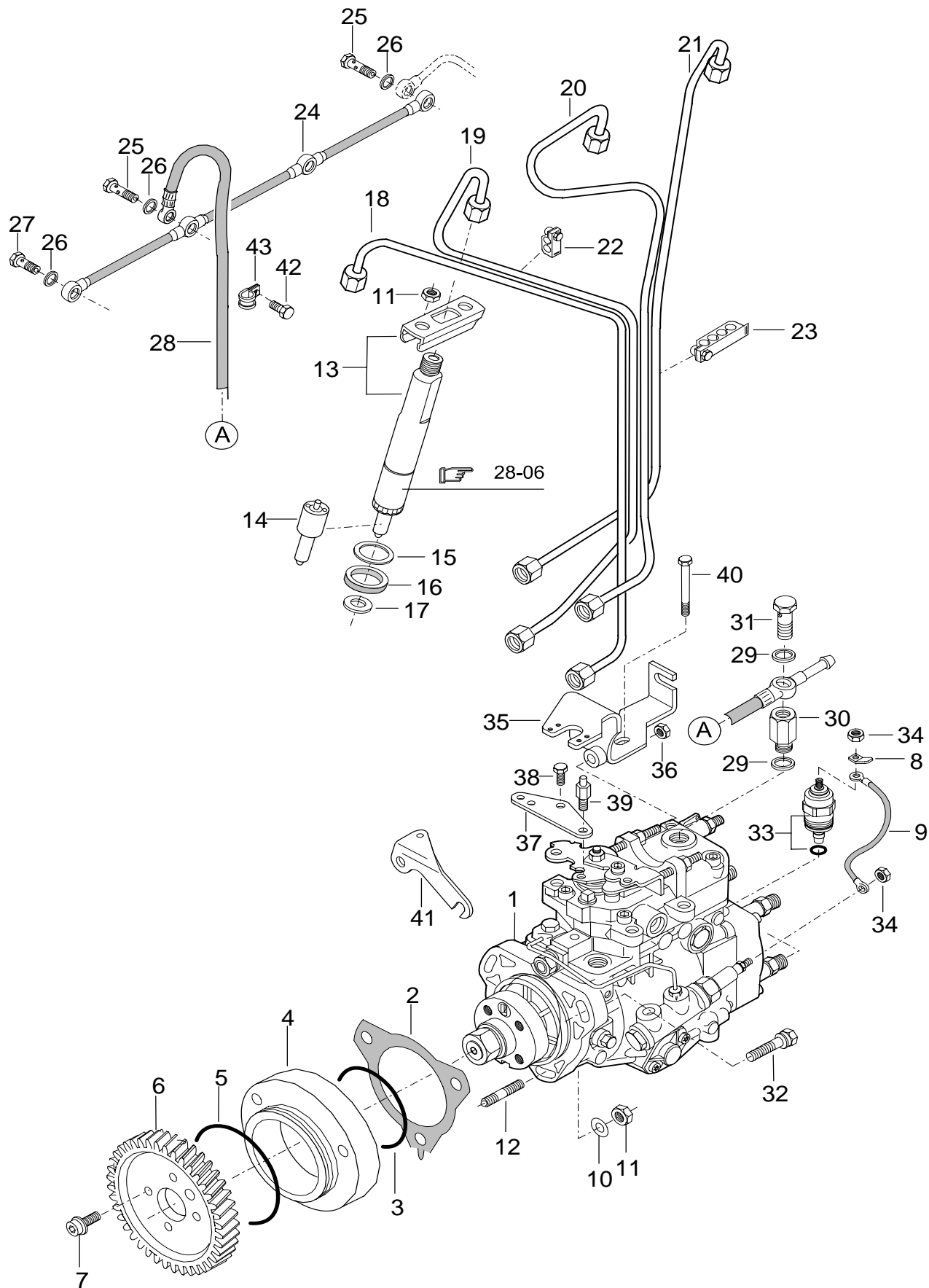
25.5.2007

N101c, N101h, N111eh,
N121h, N121LS, N141h,
N141LS

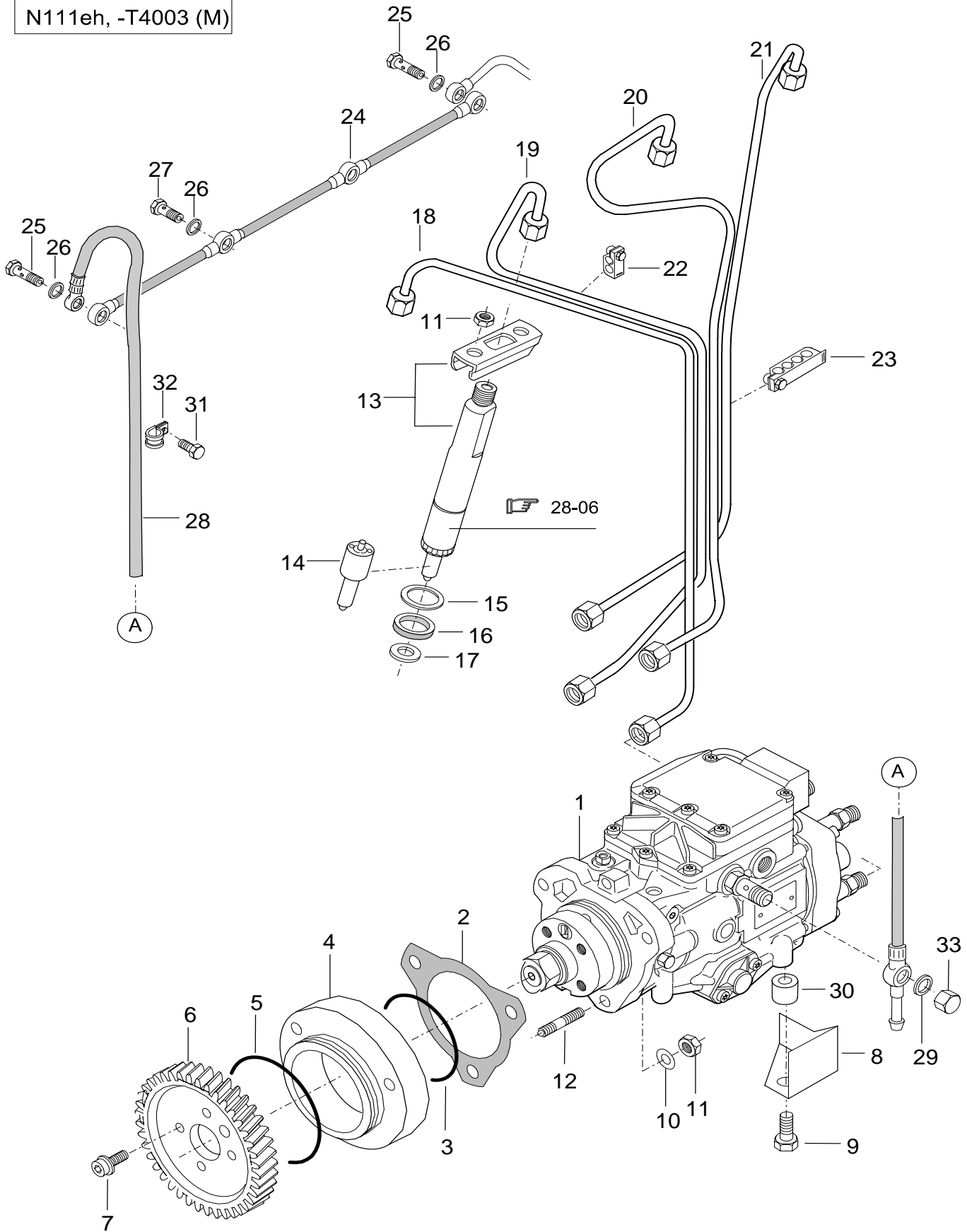


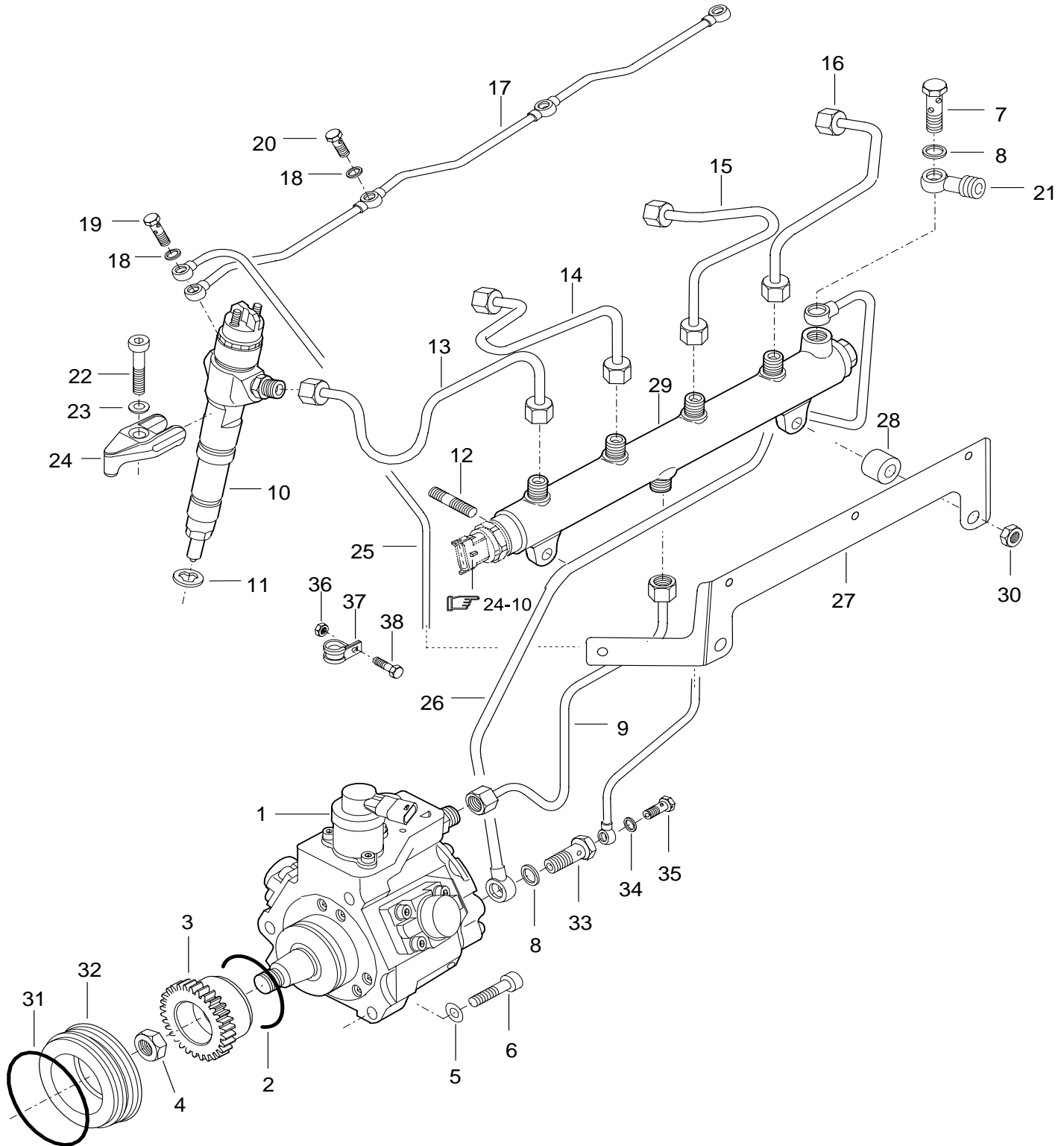
25.5.2007

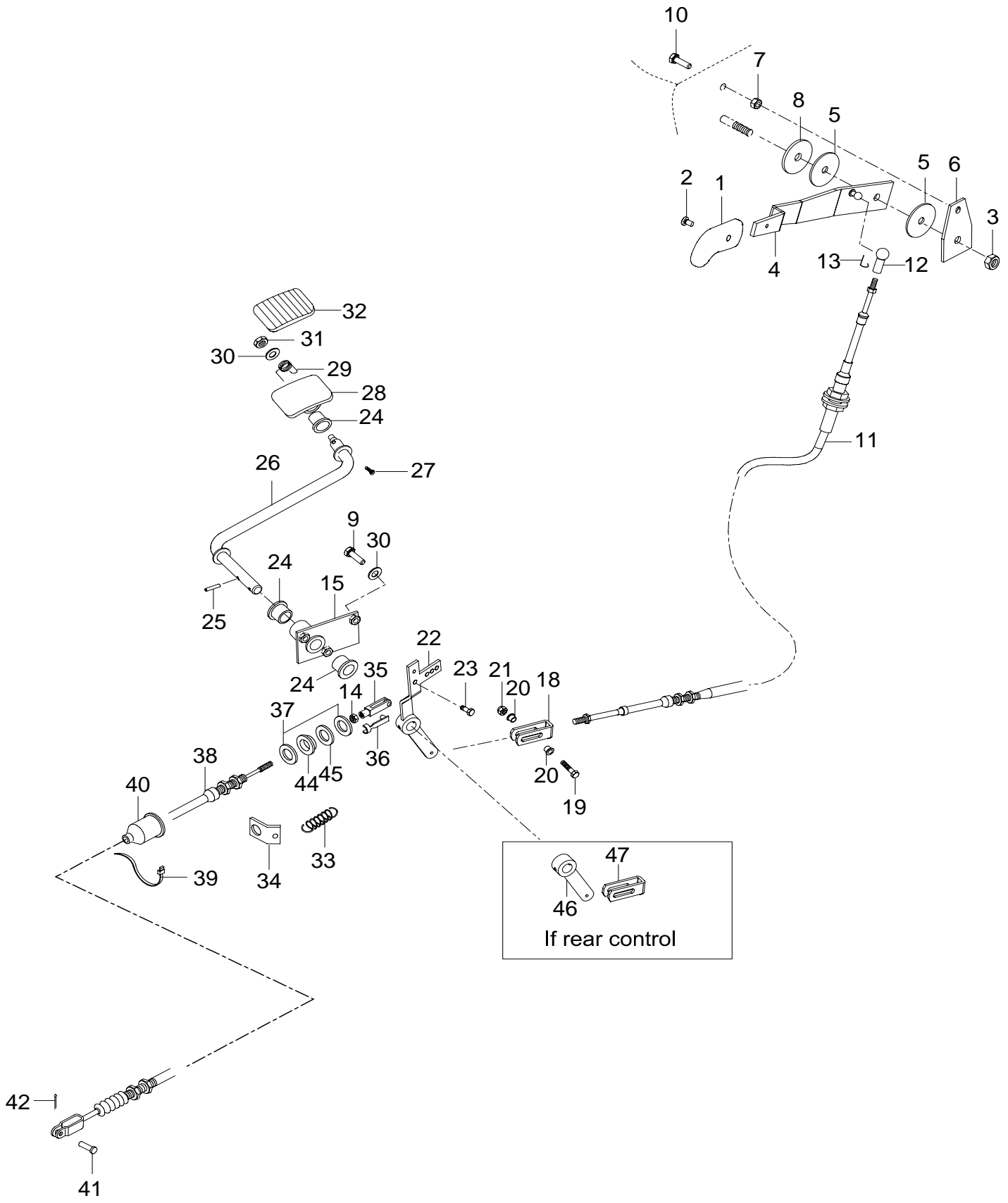
N91c, N91h, N101c,
N101h, N111c, N111h



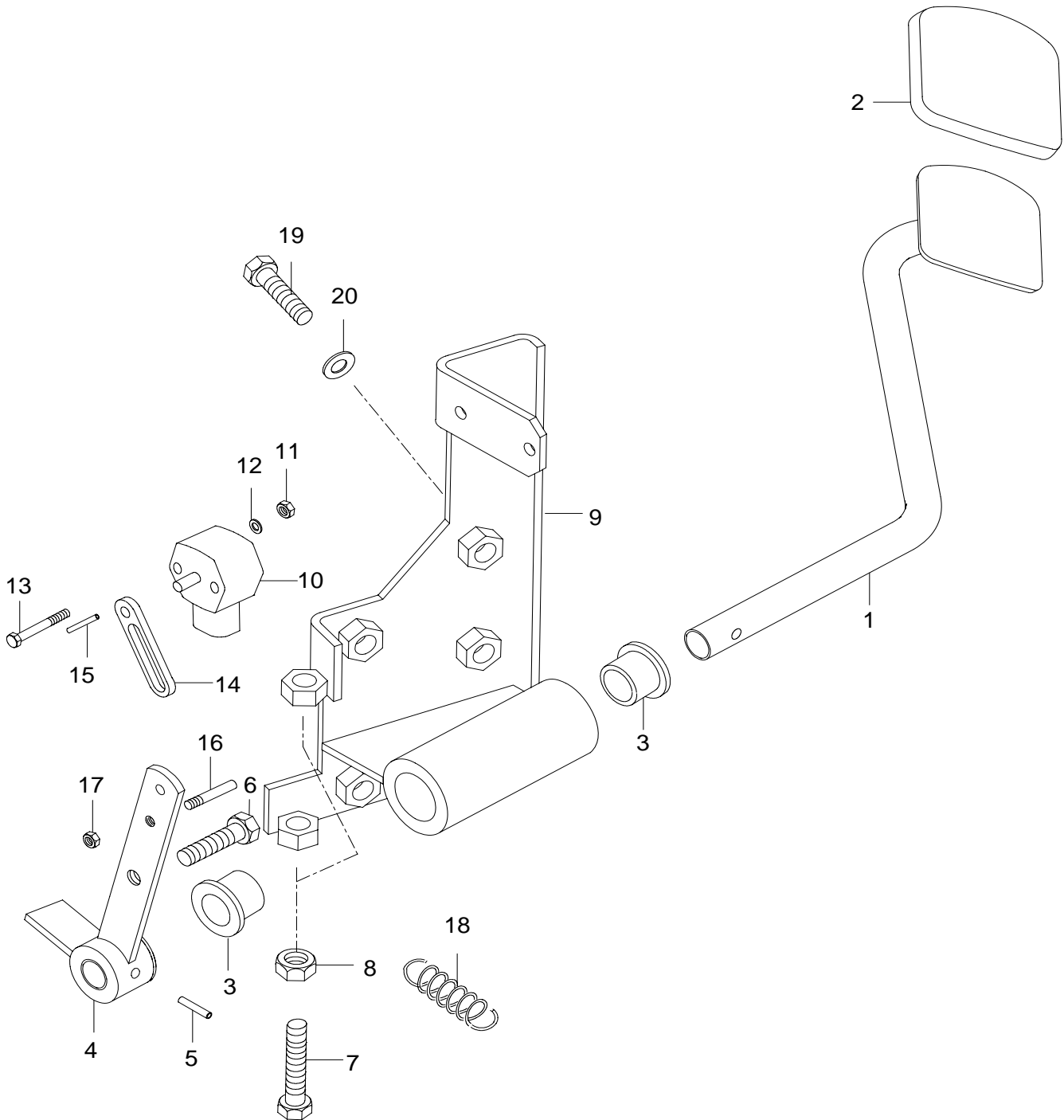
N111eh, -T4003 (M)





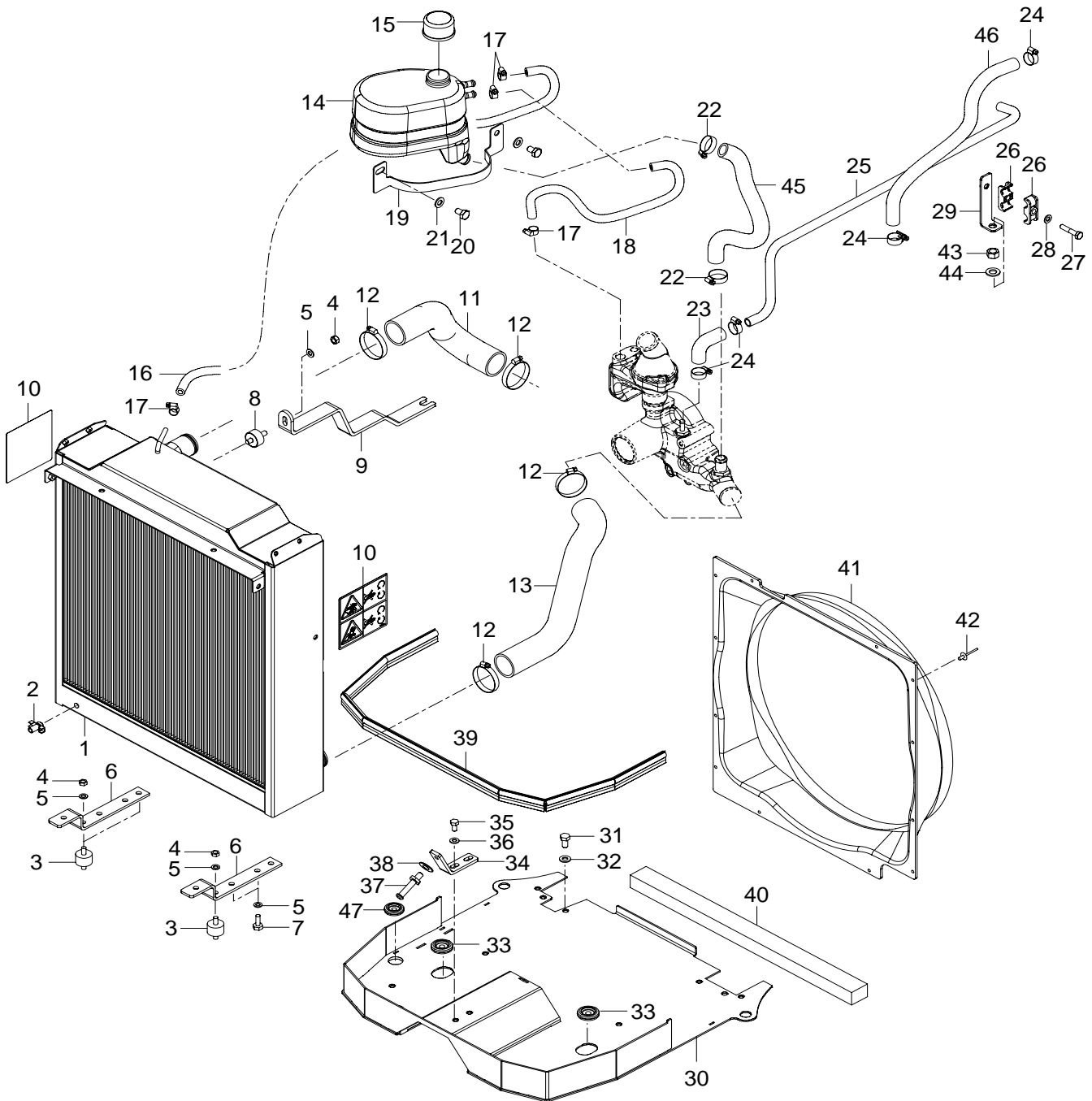


25.5.2007

N101c, N101h, N111eh,
N121h, N121LS, N141h,
N141LS

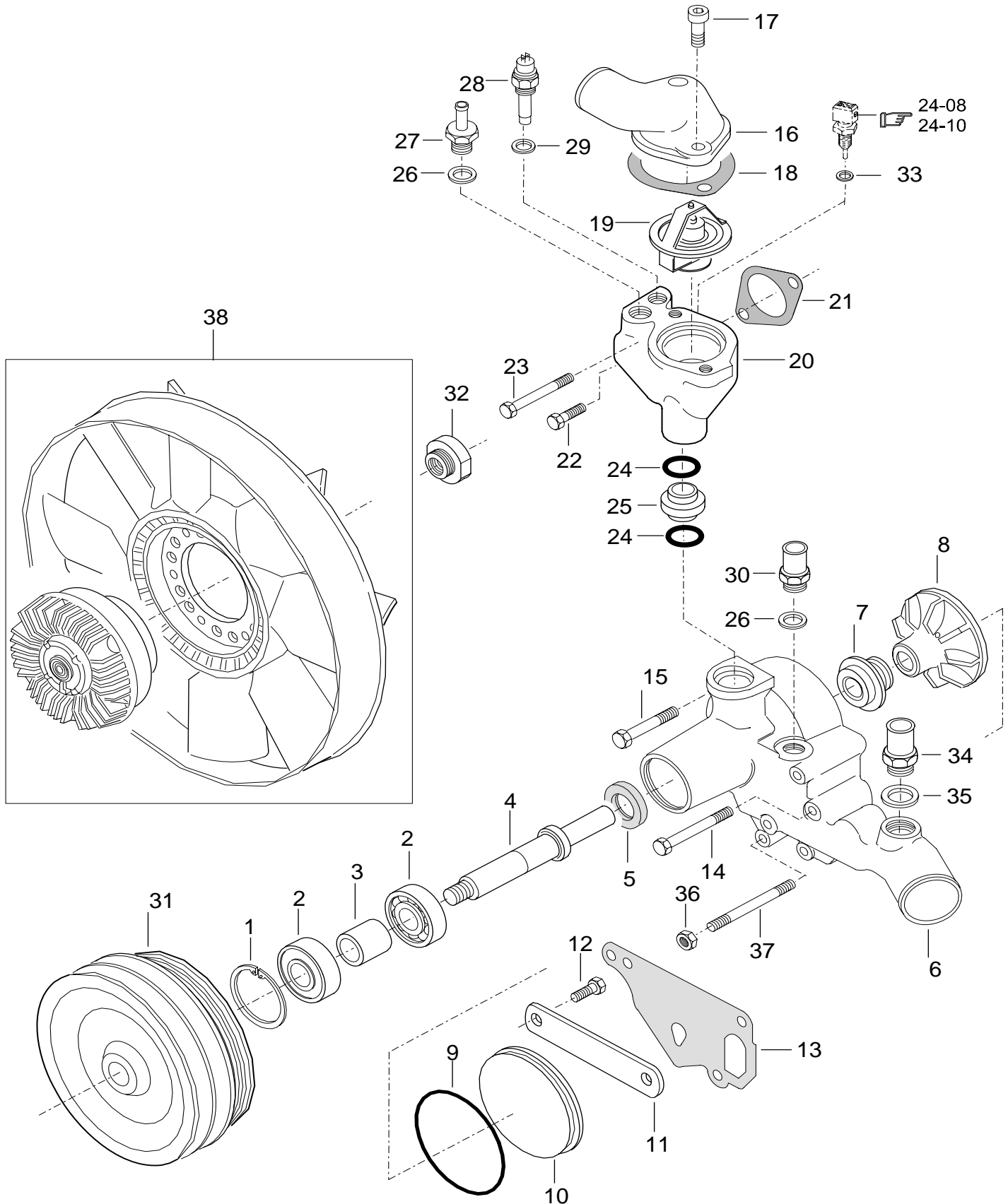
25.5.2007

N91c, N91h, N101c,
N101h, N111c, N111h,
N111eh, N121h,
N121LS, N141h.



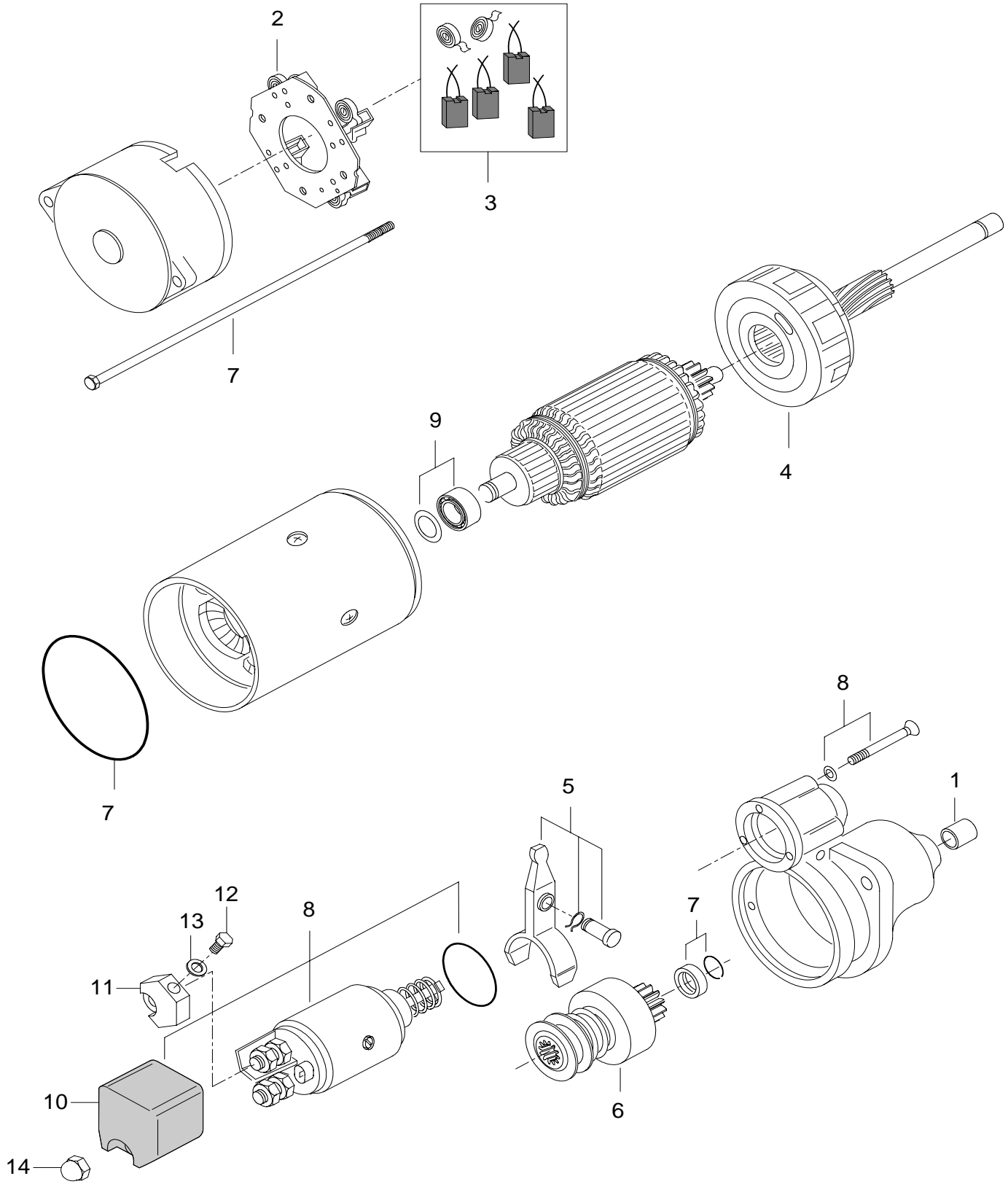
25.5.2007

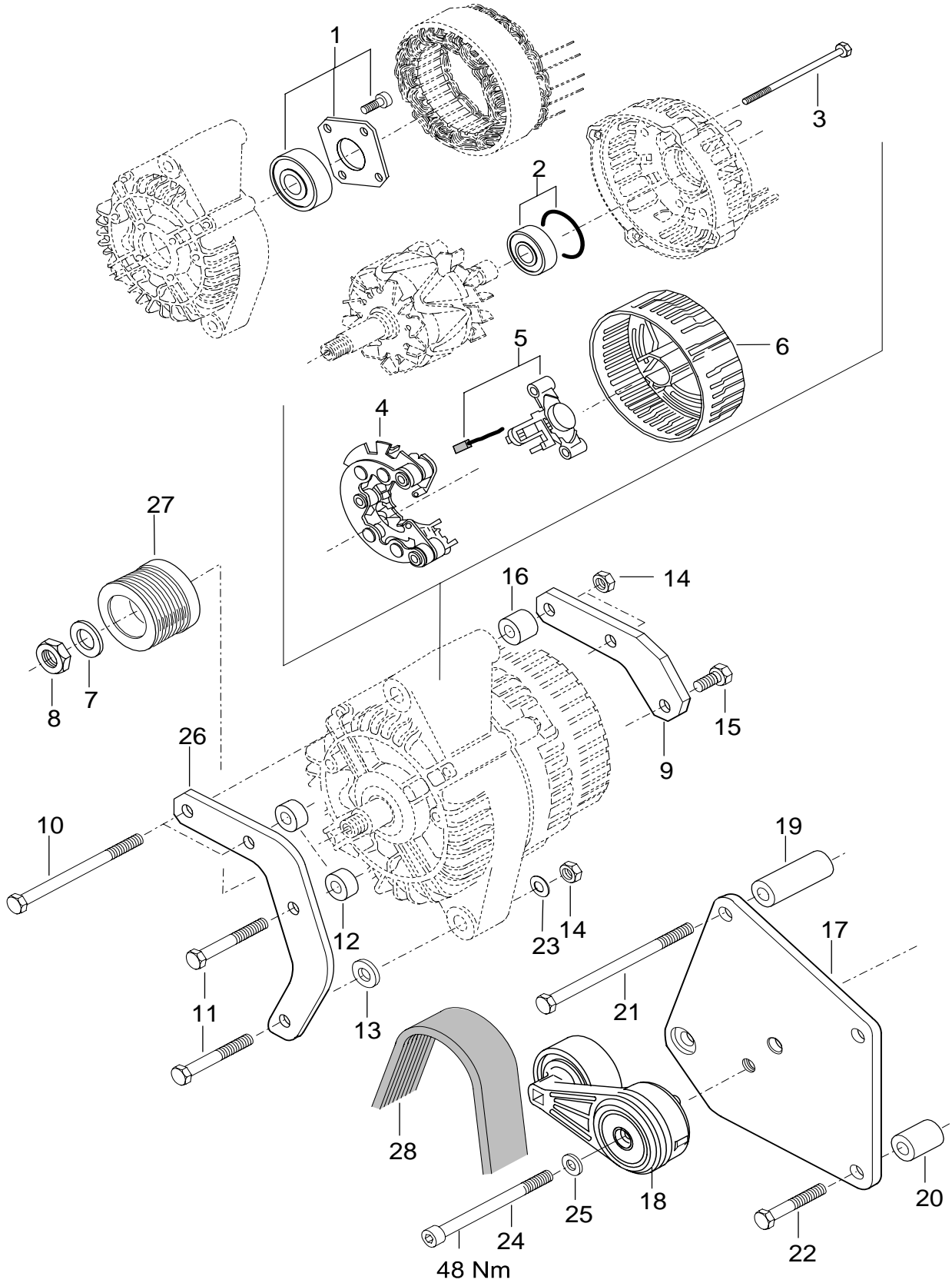
N91c, N91h, N101c,
N101h, N111c, N111h,
N111eh, N121h,
N121LS, N141h.

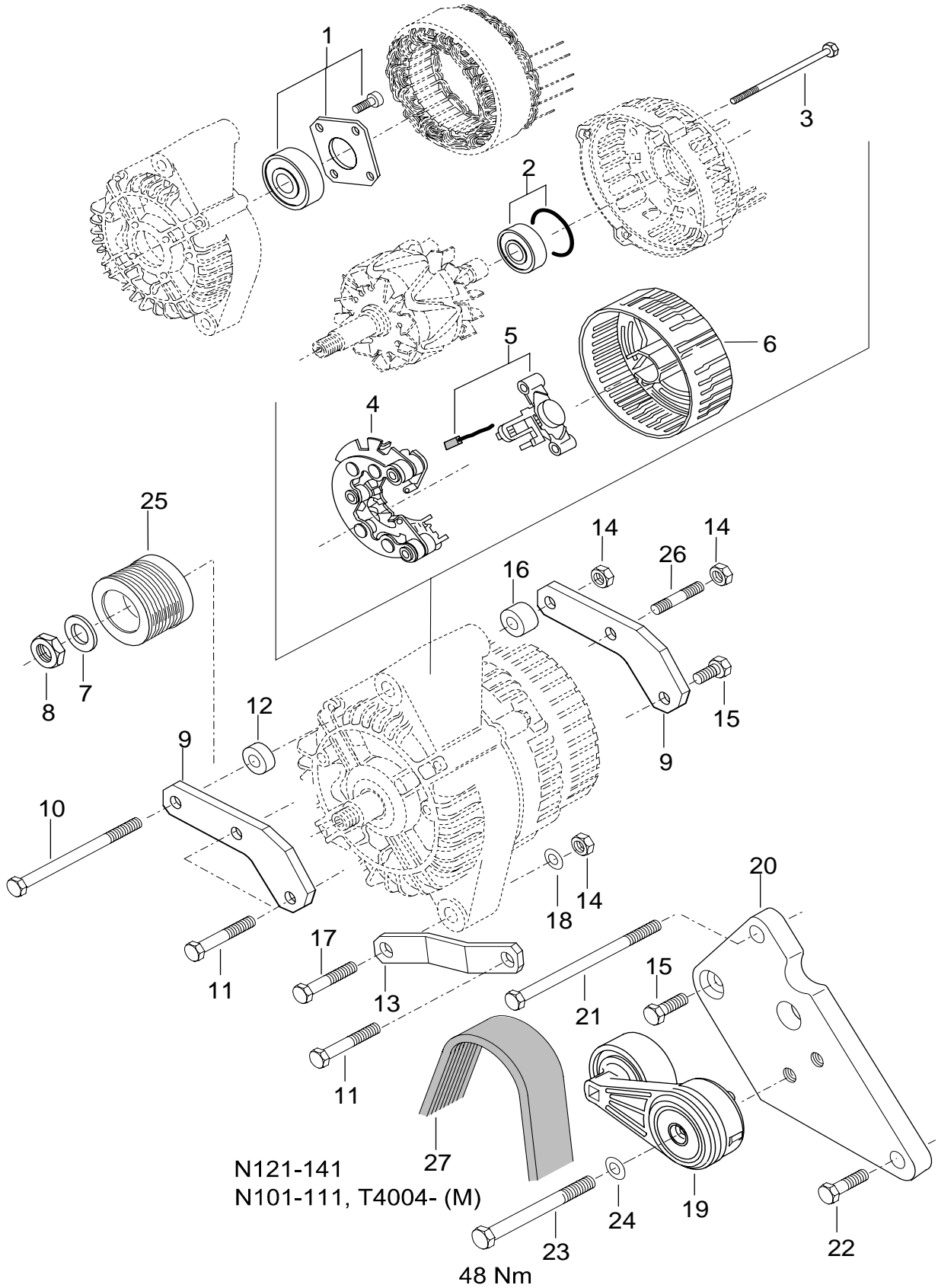


25.5.2007

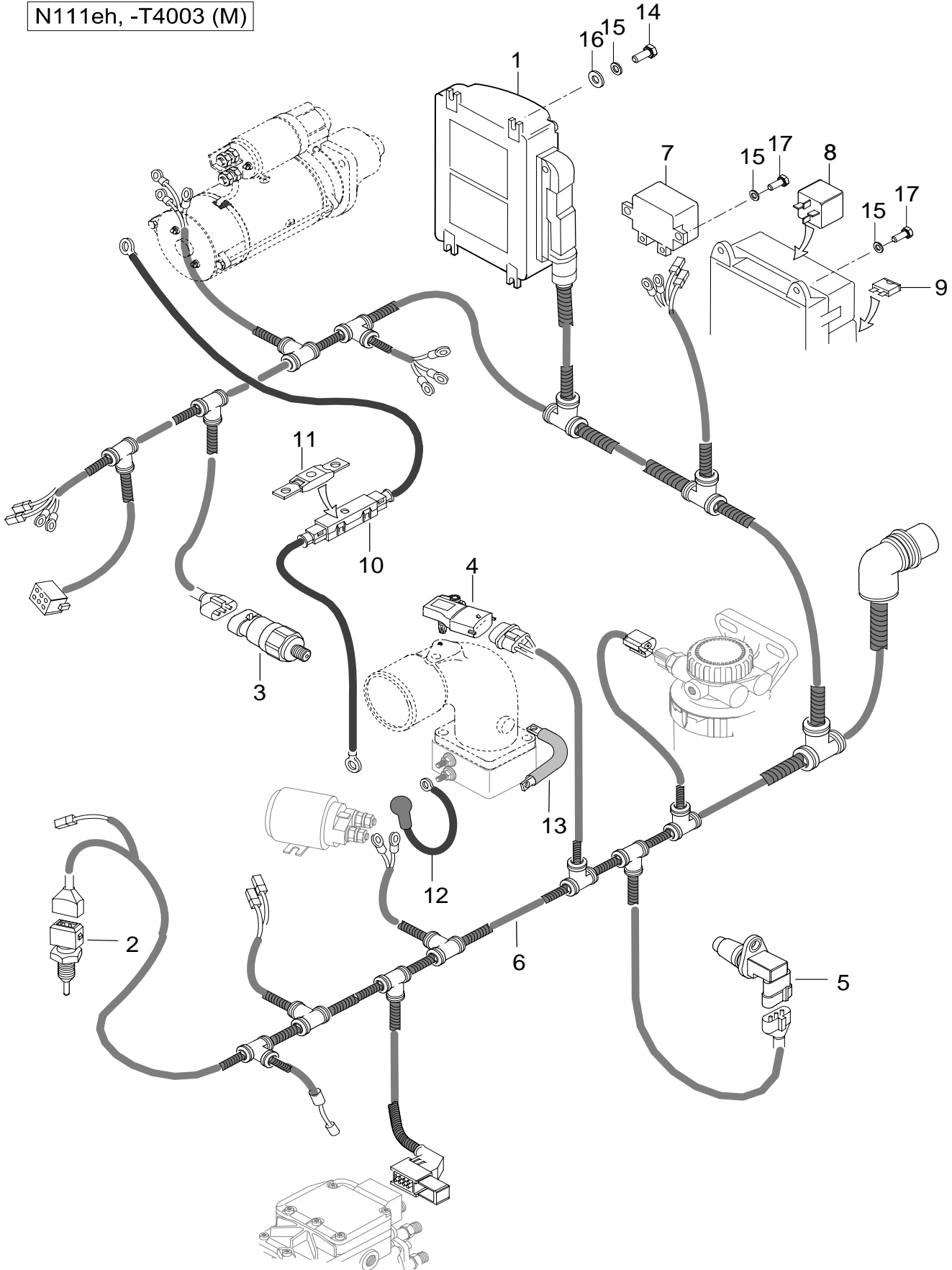
N91c, N91h, N101c,
N101h, N111c, N111h,
N111eh, N121h,
N121LS, N141h.

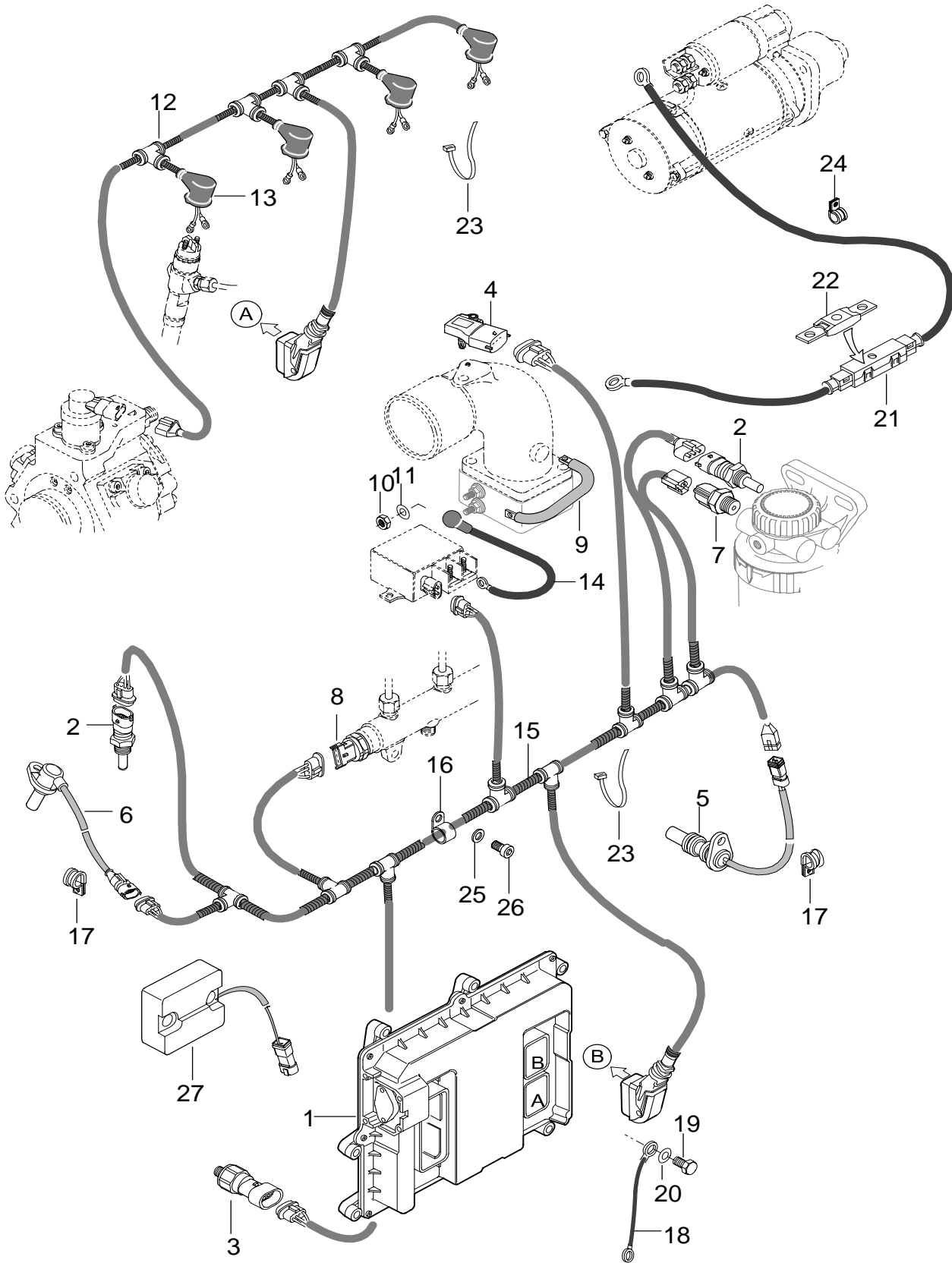


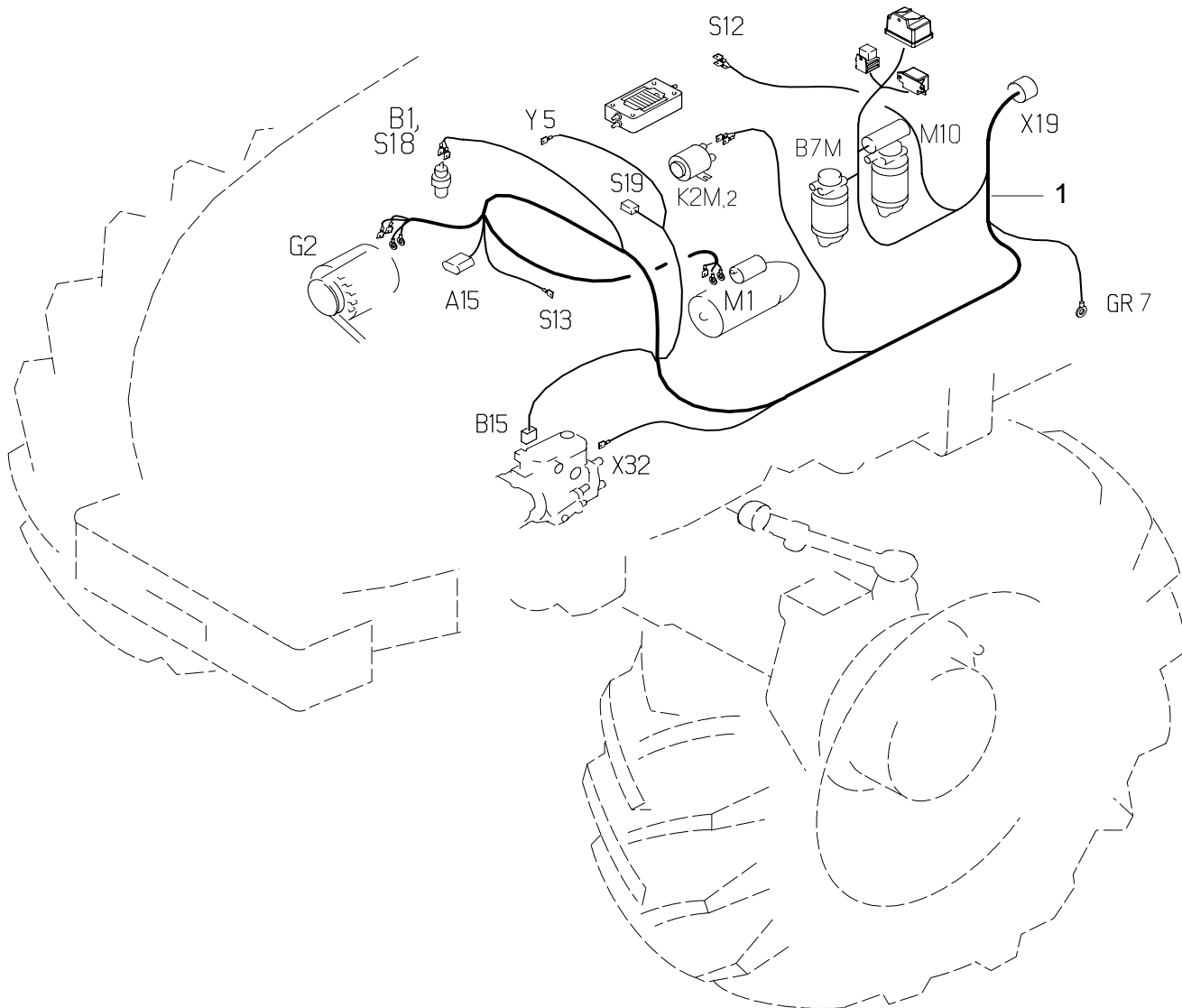
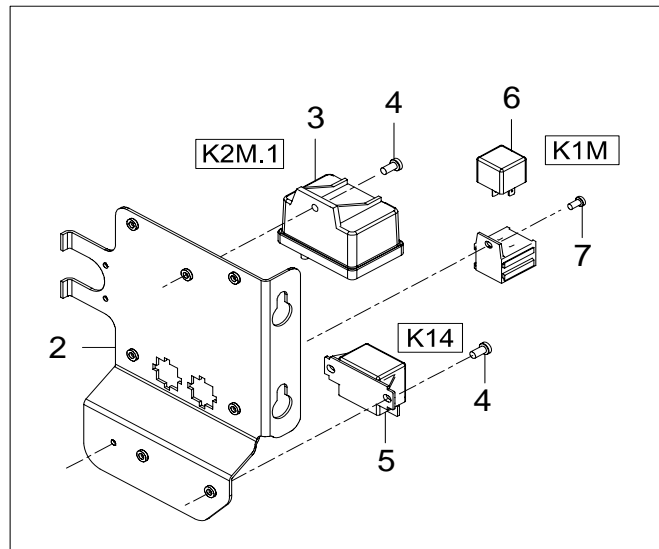


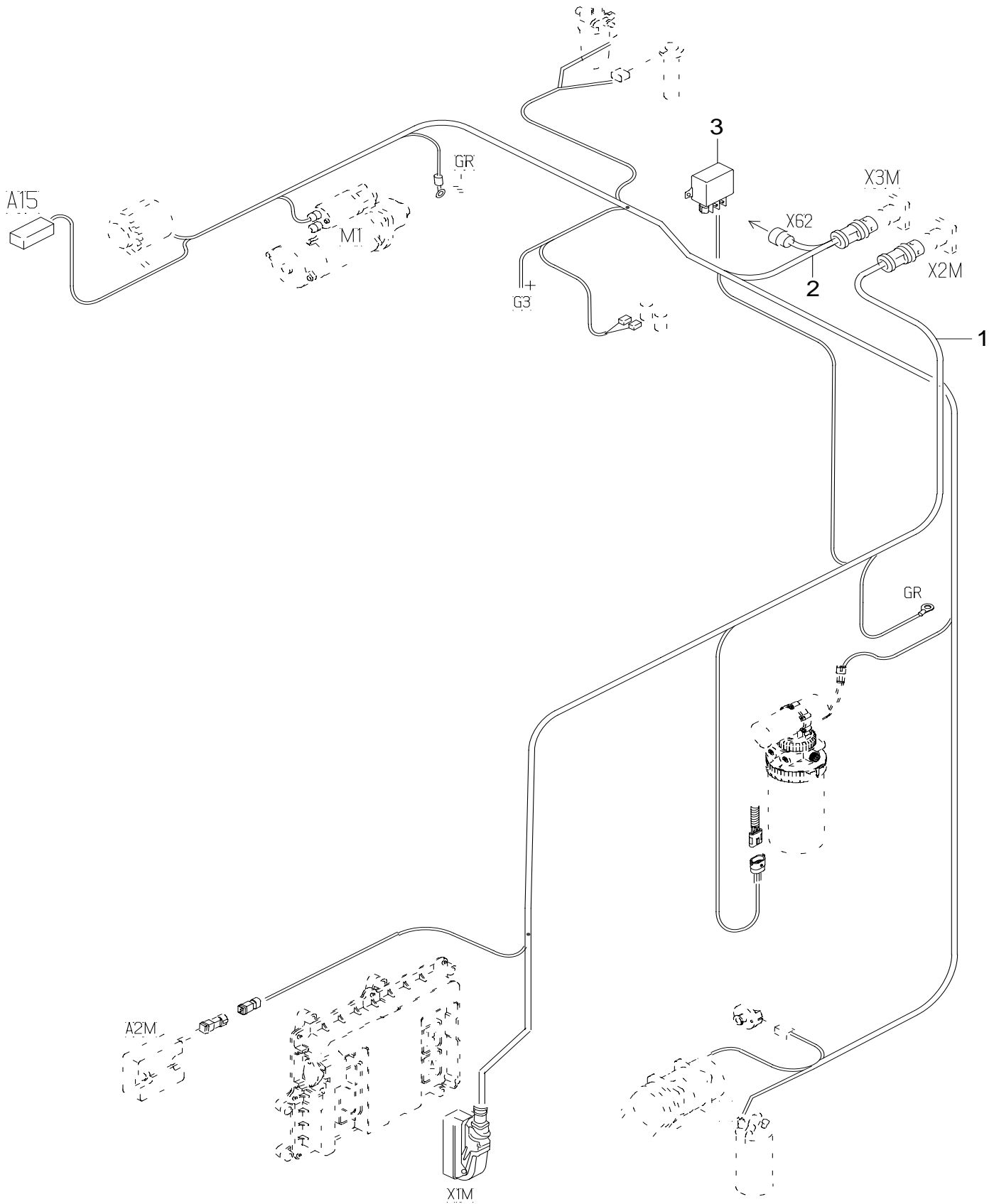


N111eh, -T4003 (M)

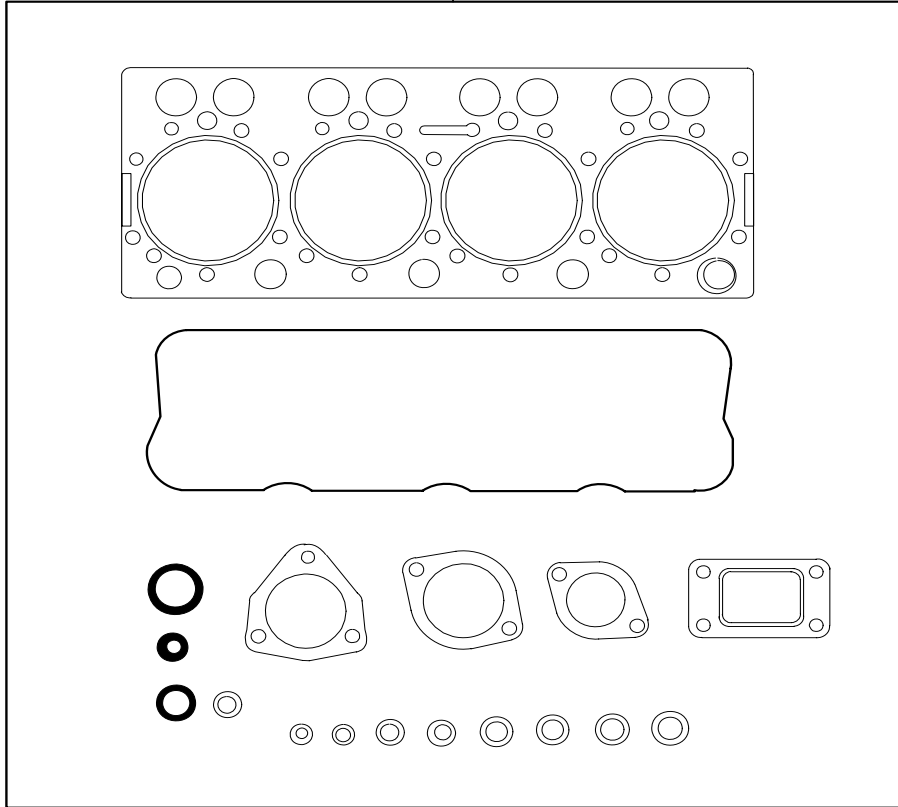




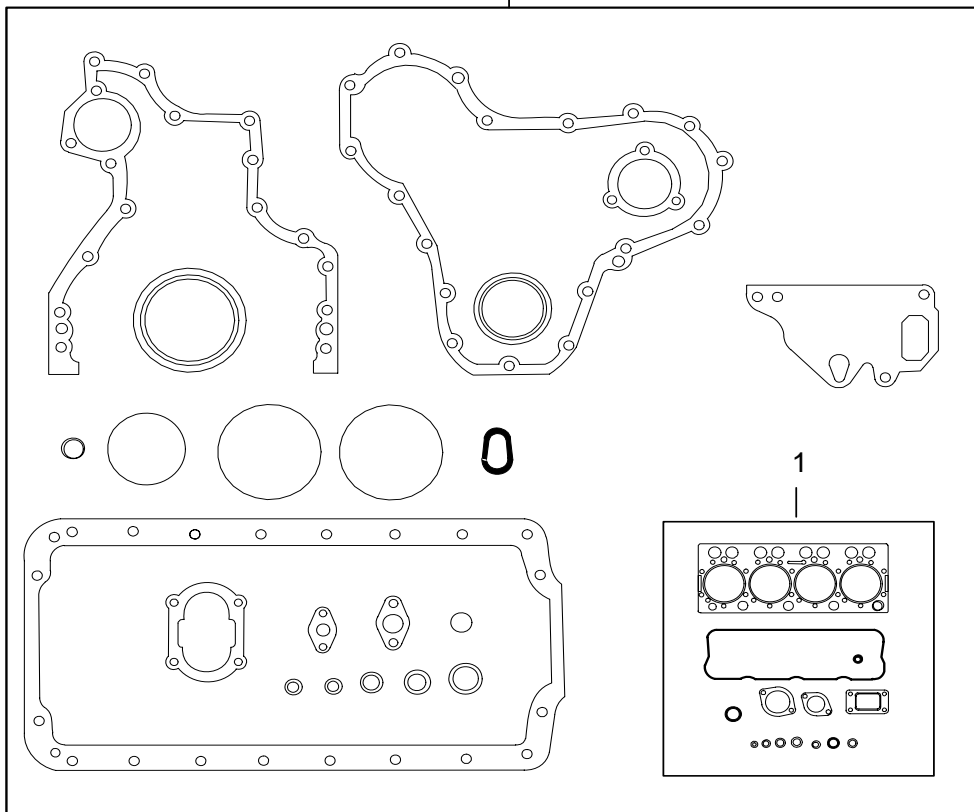


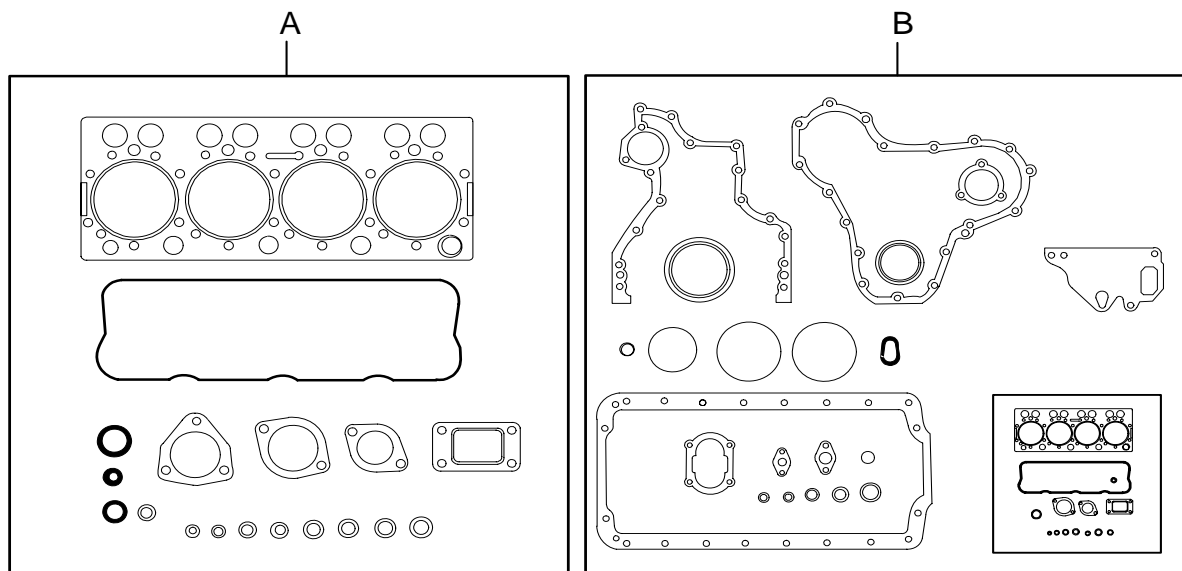
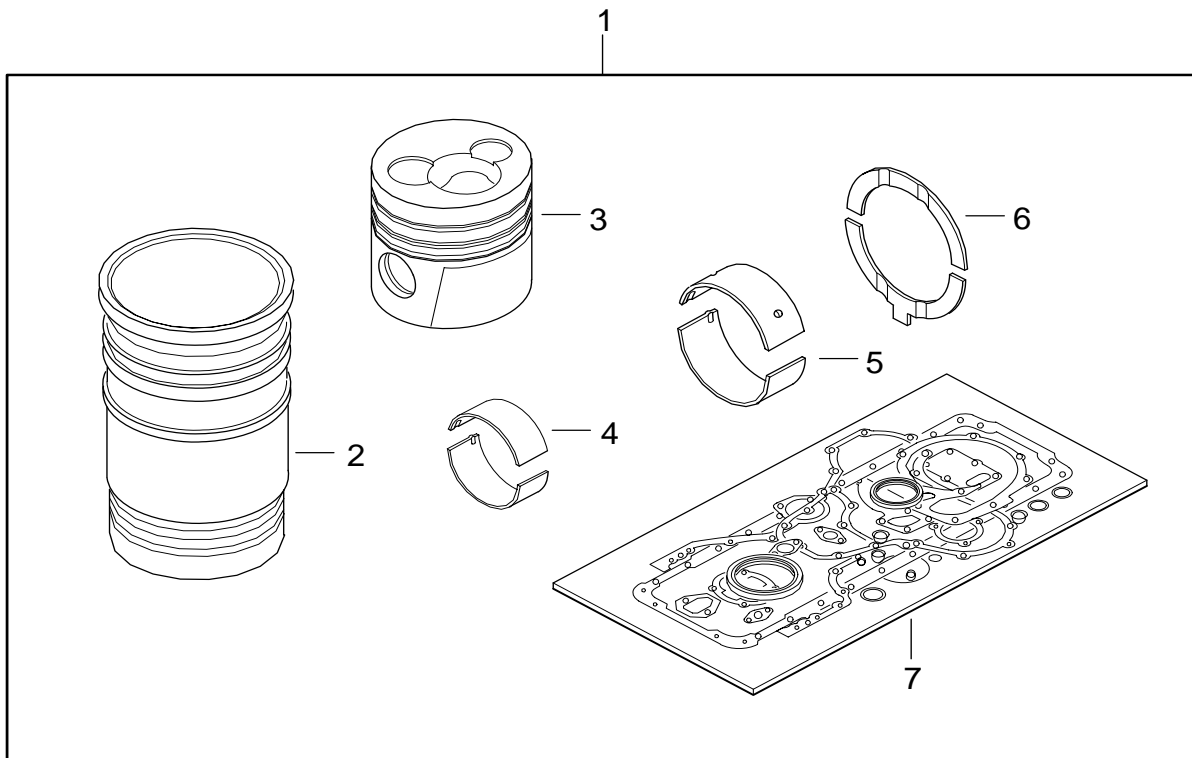


1



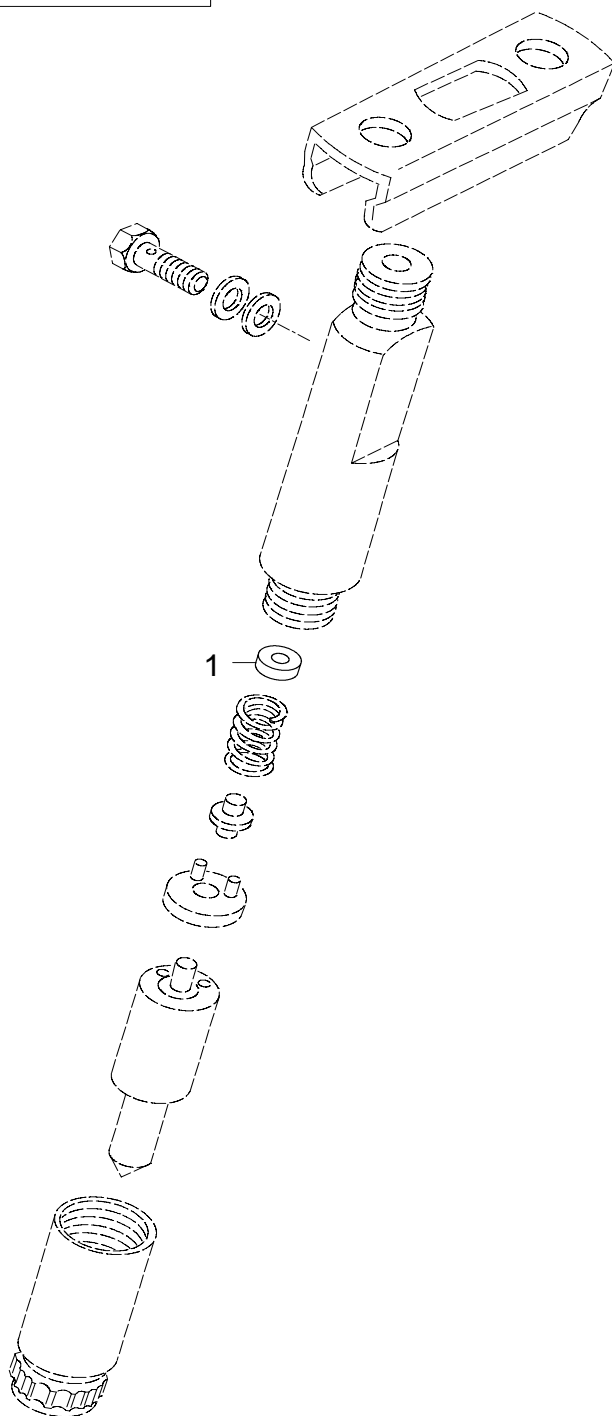
2

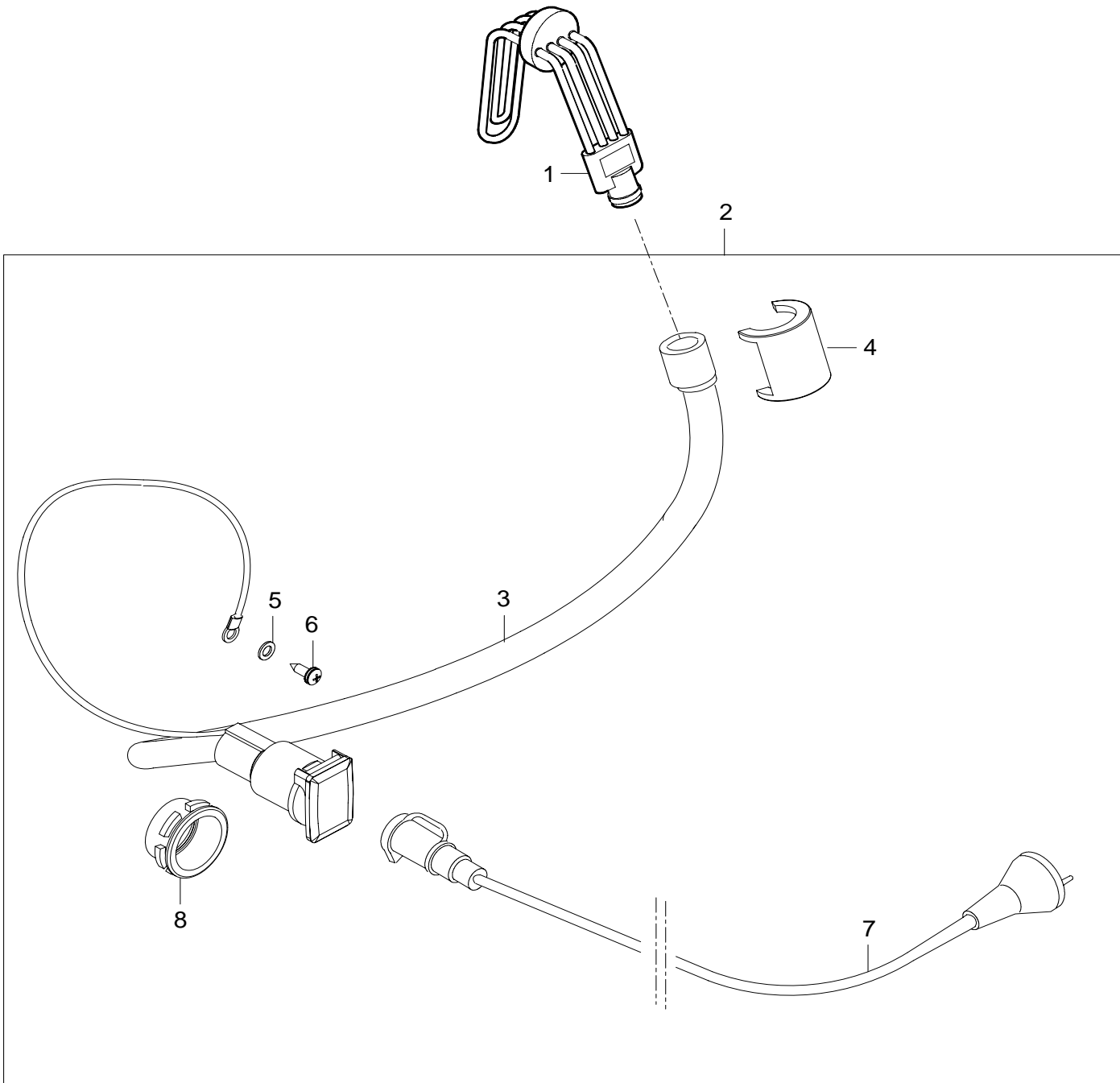




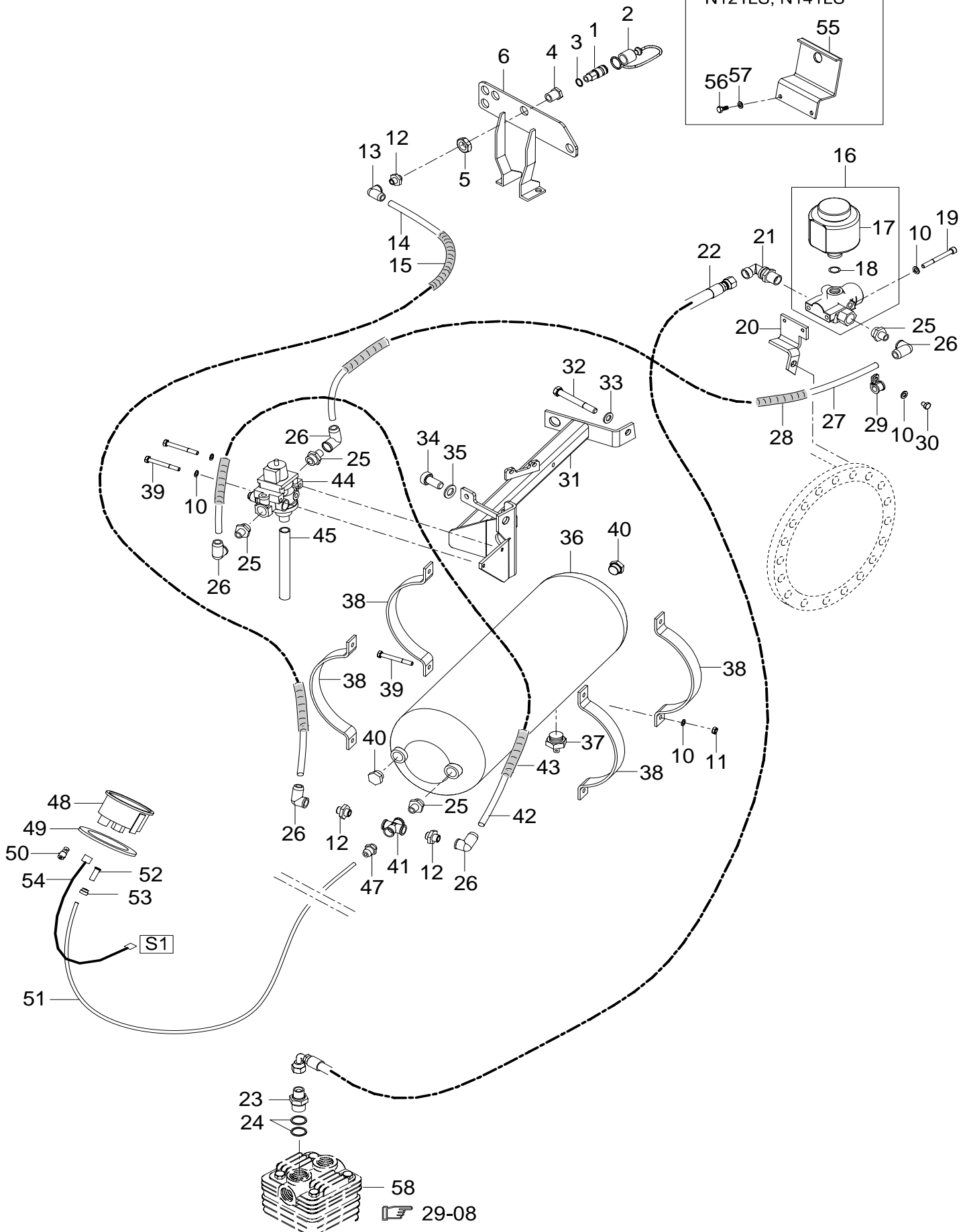
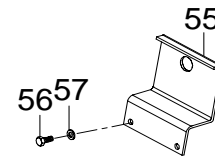
N91c, N91h

N101c-N111eh, -T4003 (M)





N121LS, N141LS



N121LS, N141LS

