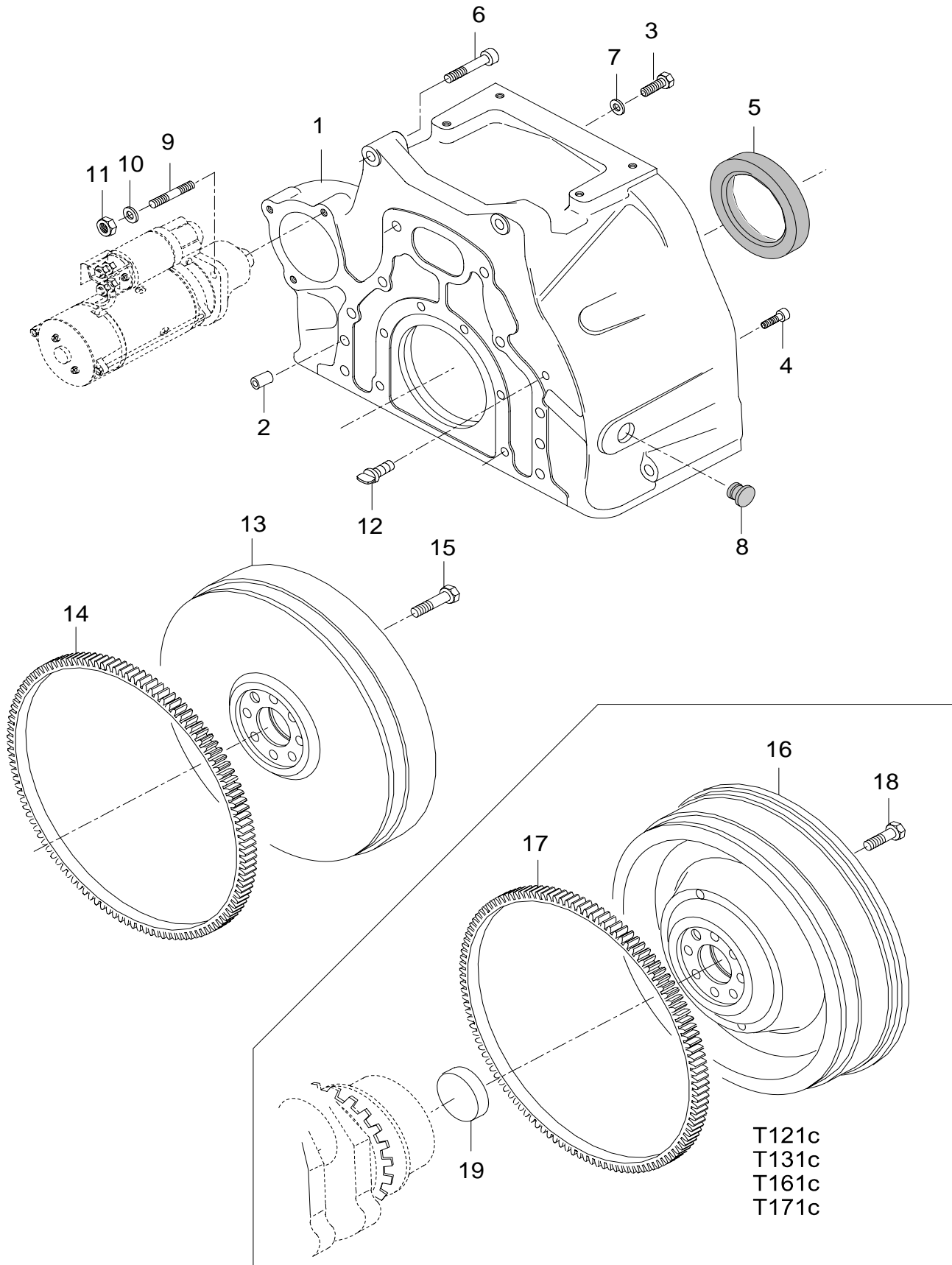


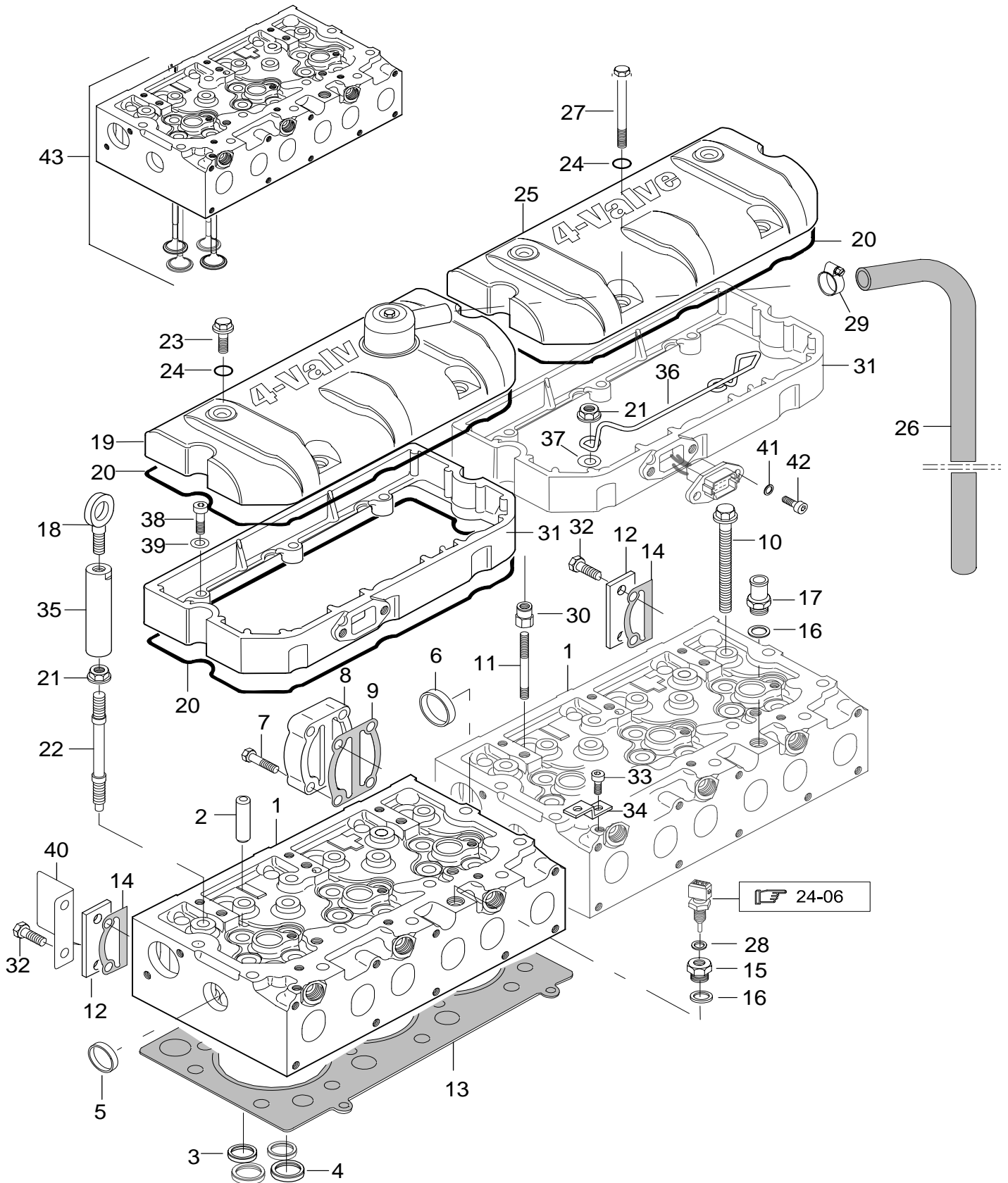
1.6.2007

T121c, T121h, T131c, T131h,
T151eh, T151eLS, T161c, T161h,
T161LS, T171c, T171h, T171LS,
T191h, T191LS

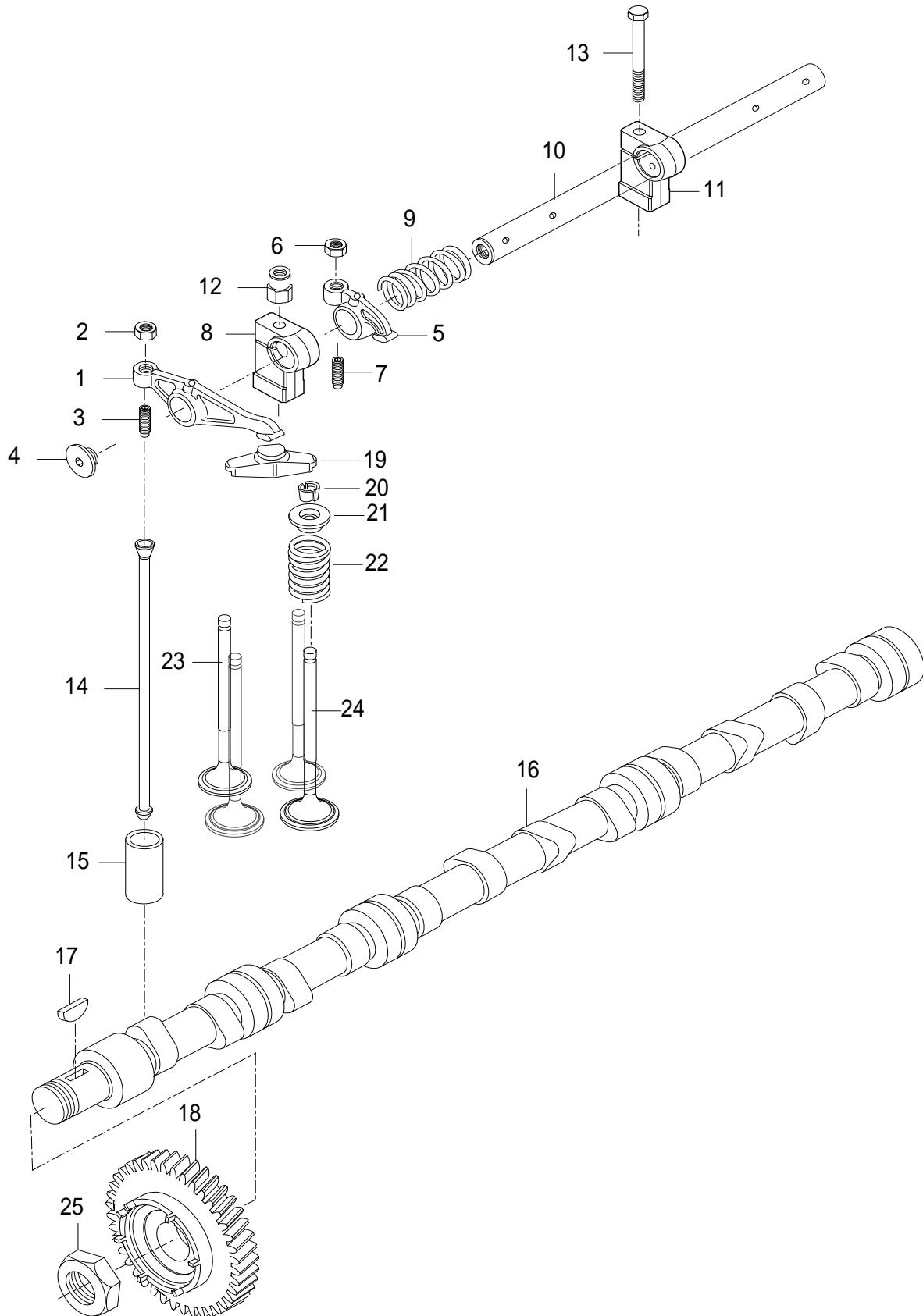


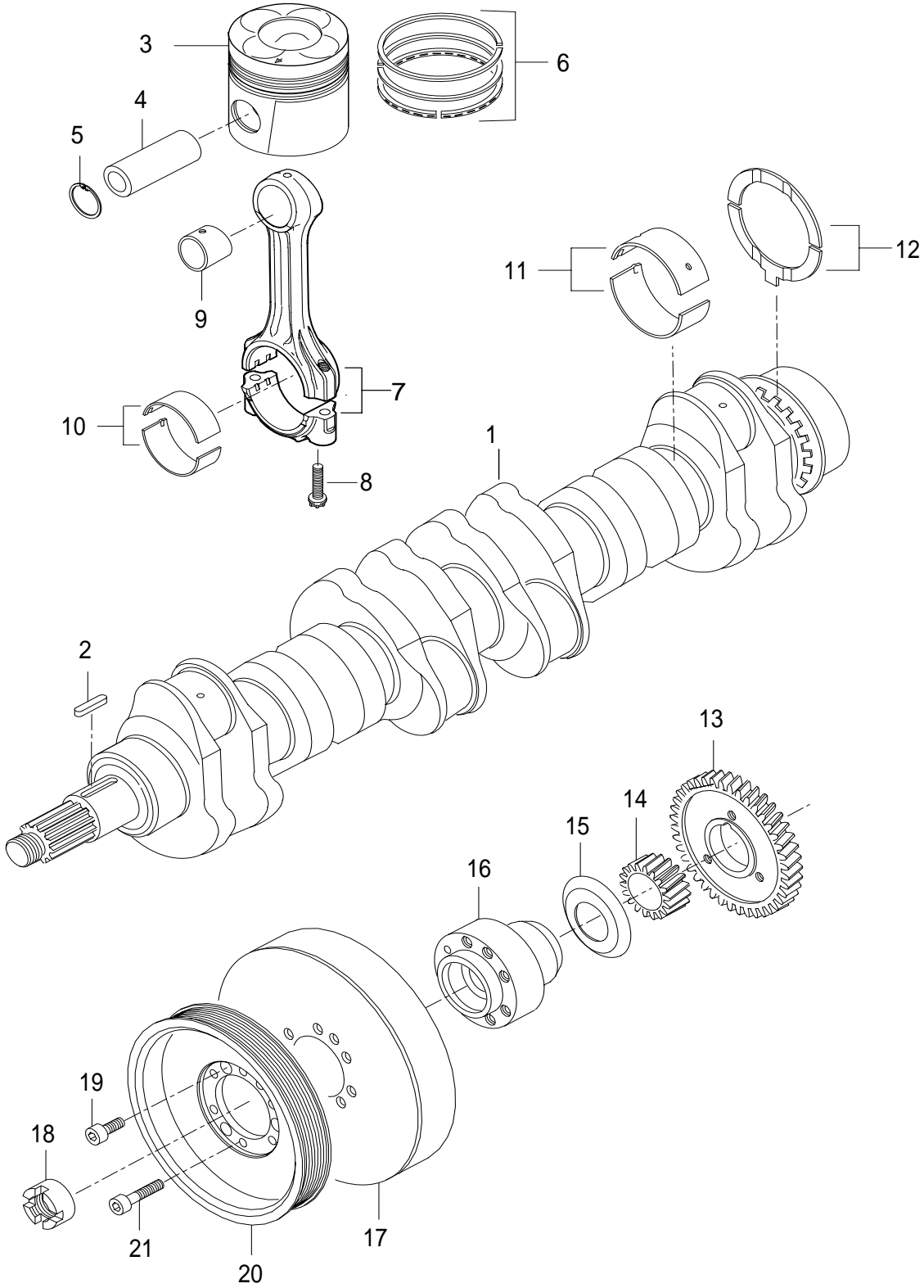
1.6.2007

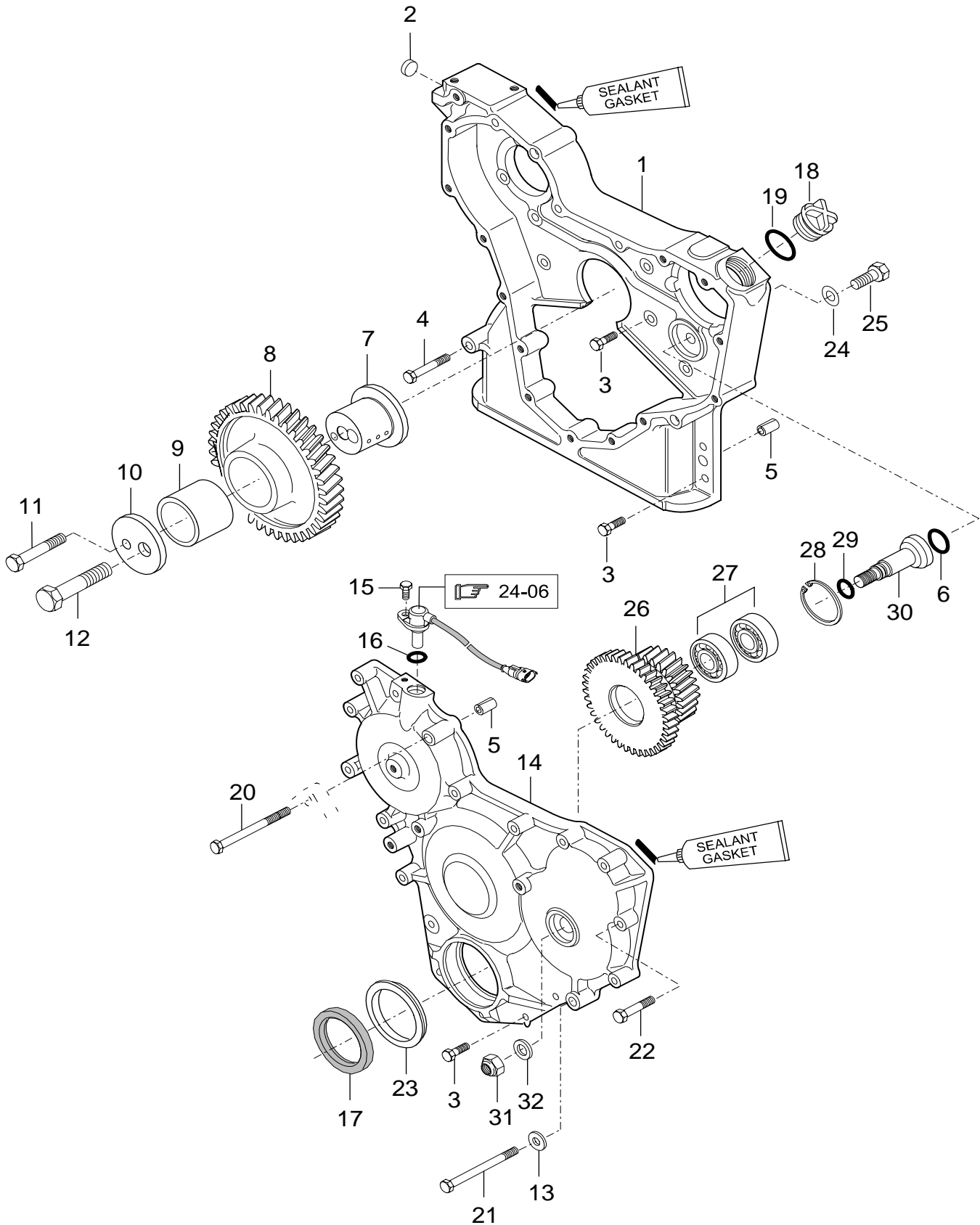
T121c, T121h, T131c, T131h,
T151eh, T151eLS, T161c, T161h,
T161LS, T171c, T171h, T171LS,
T191h, T191LS



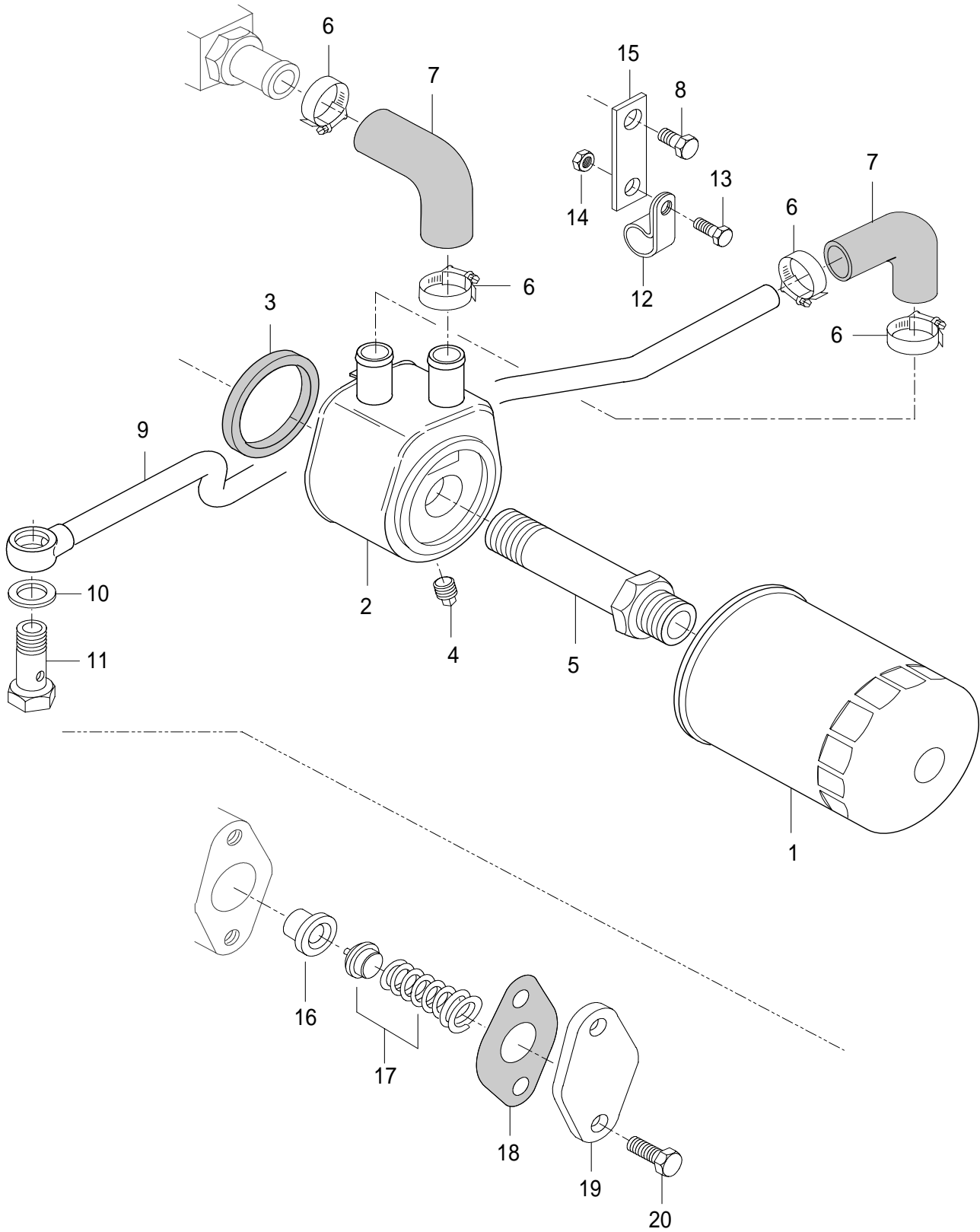
1.6.2007

T121c, T121h, T131c, T131h,
T151eh, T151eLS, T161c, T161h,
T161LS, T171c, T171h, T171LS,
T191h, T191LS

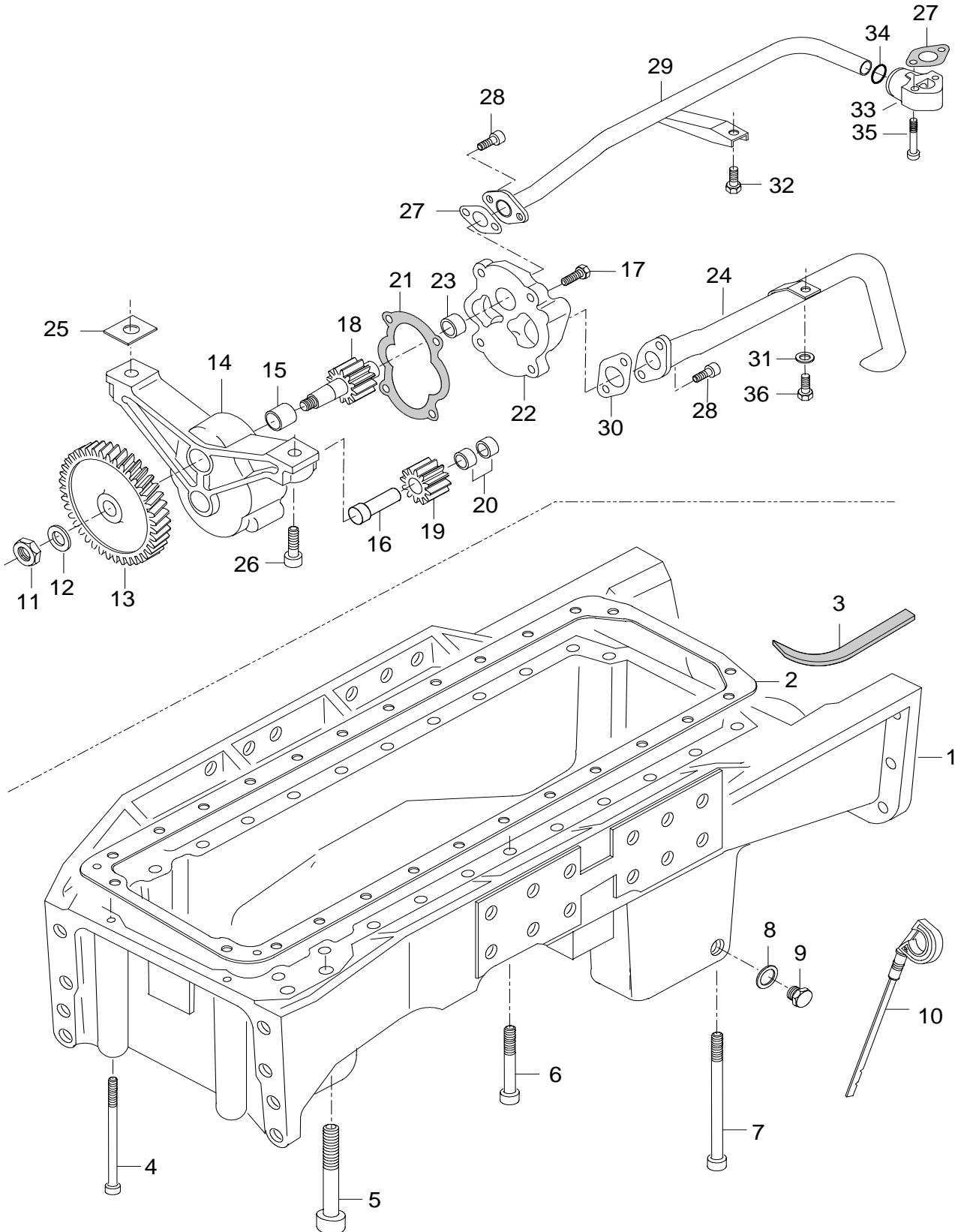




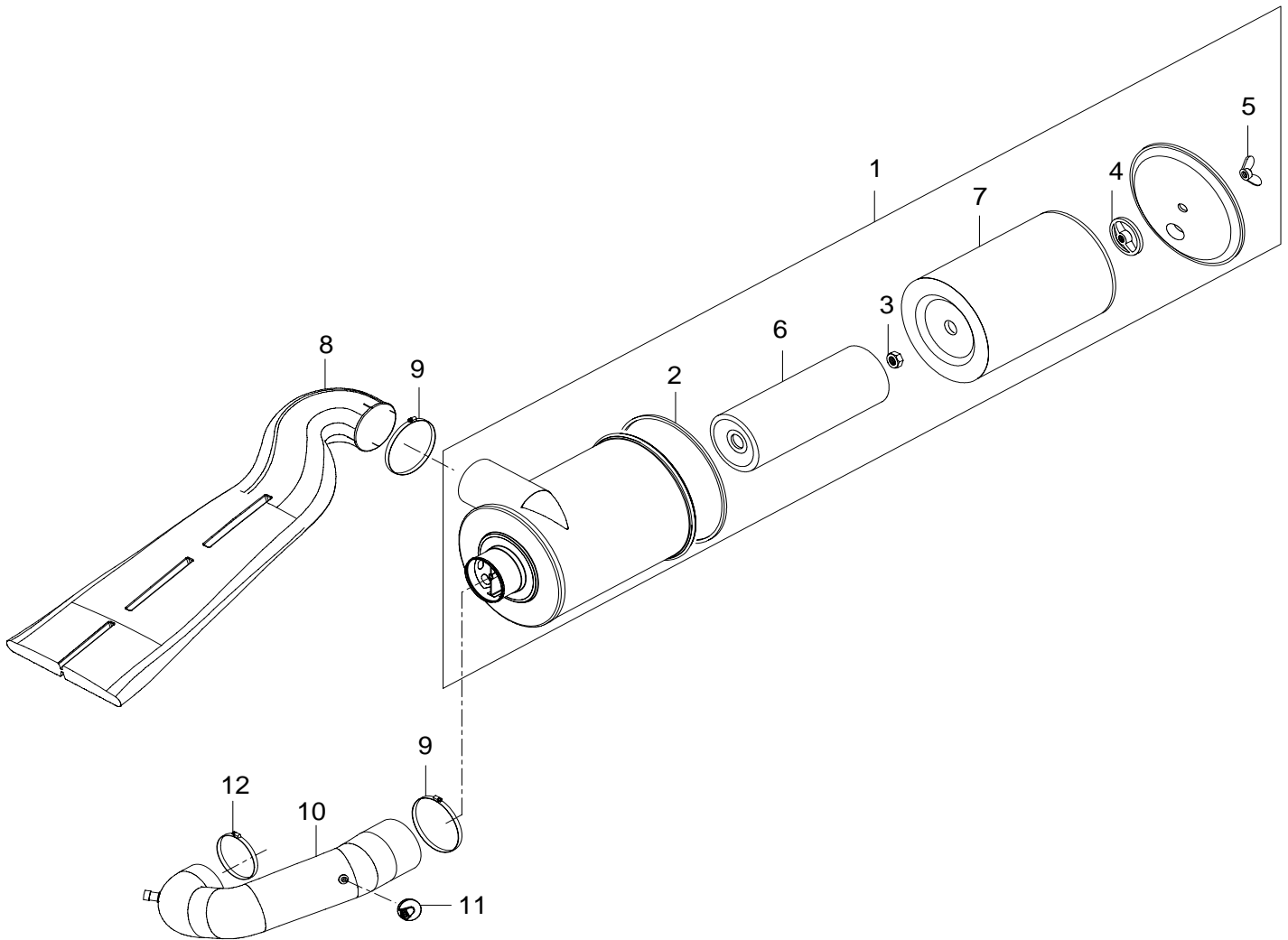
1.6.2007
 T121c, T121h, T131c, T131h,
 T151eh, T151eLS, T161c, T161h,
 T161LS, T171c, T171h, T171LS,
 T191h, T191LS



1.6.2007
 T121c, T121h, T131c, T131h,
 T151eh, T151eLS, T161c, T161h,
 T161LS, T171c, T171h, T171LS,
 T191h, T191LS



1.6.2007

T121c, T121h, T131c, T131h,
T151eh, T151eLS, T161c, T161h,
T161LS, T171c, T171h, T171LS,
T191h, T191LS

IMU- JA
POISTOSARJA

INSUGNINGS- OCH
AVGASRÖR

INTAKE- AND
EXHAUST PIPE

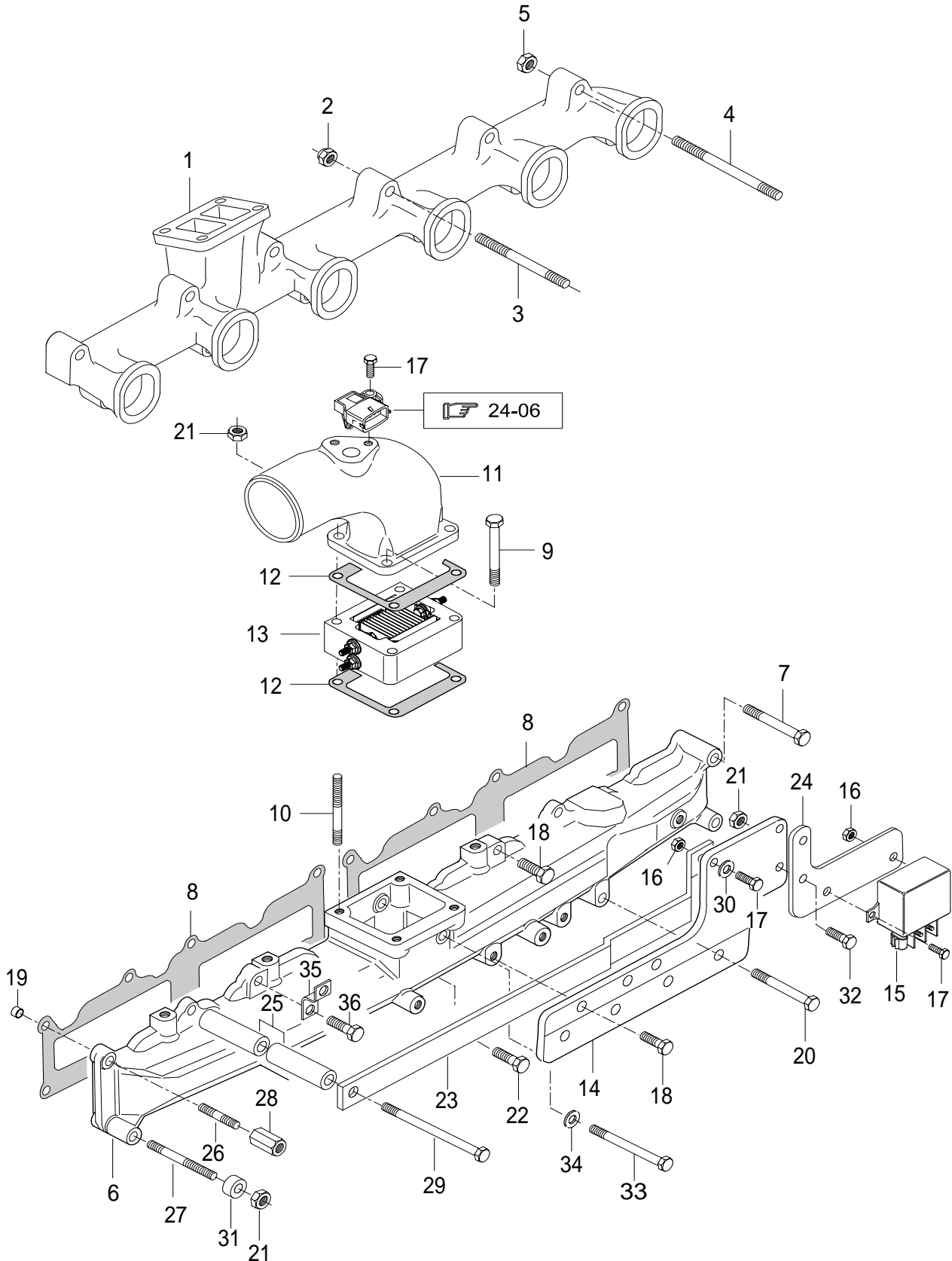
ANSAUG- UND
AUSPUFFKRÜMMER

TUYAU D'ADMISSION
ET D'ÉCHAPPEMENT

21-19

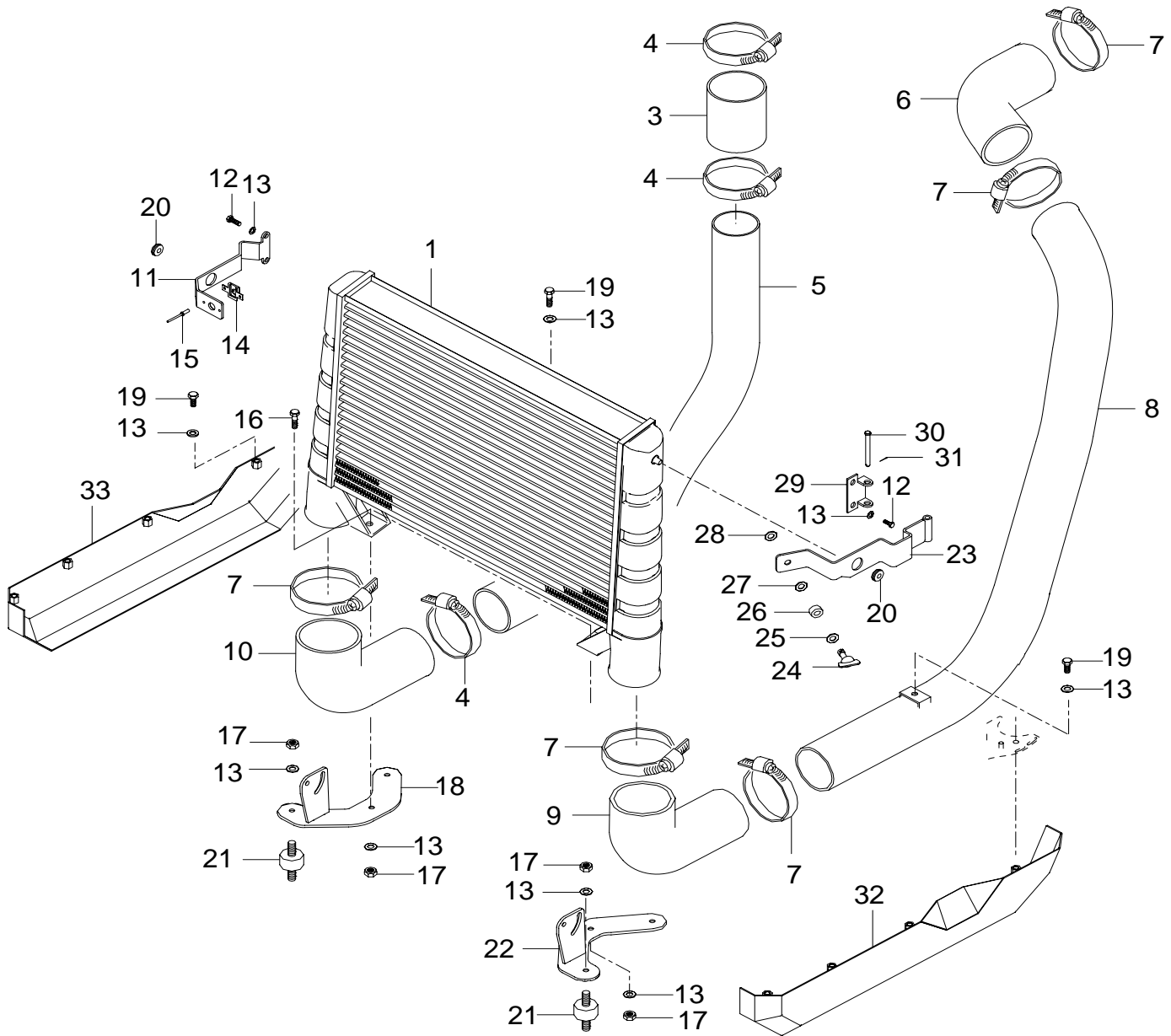
1.6.2007

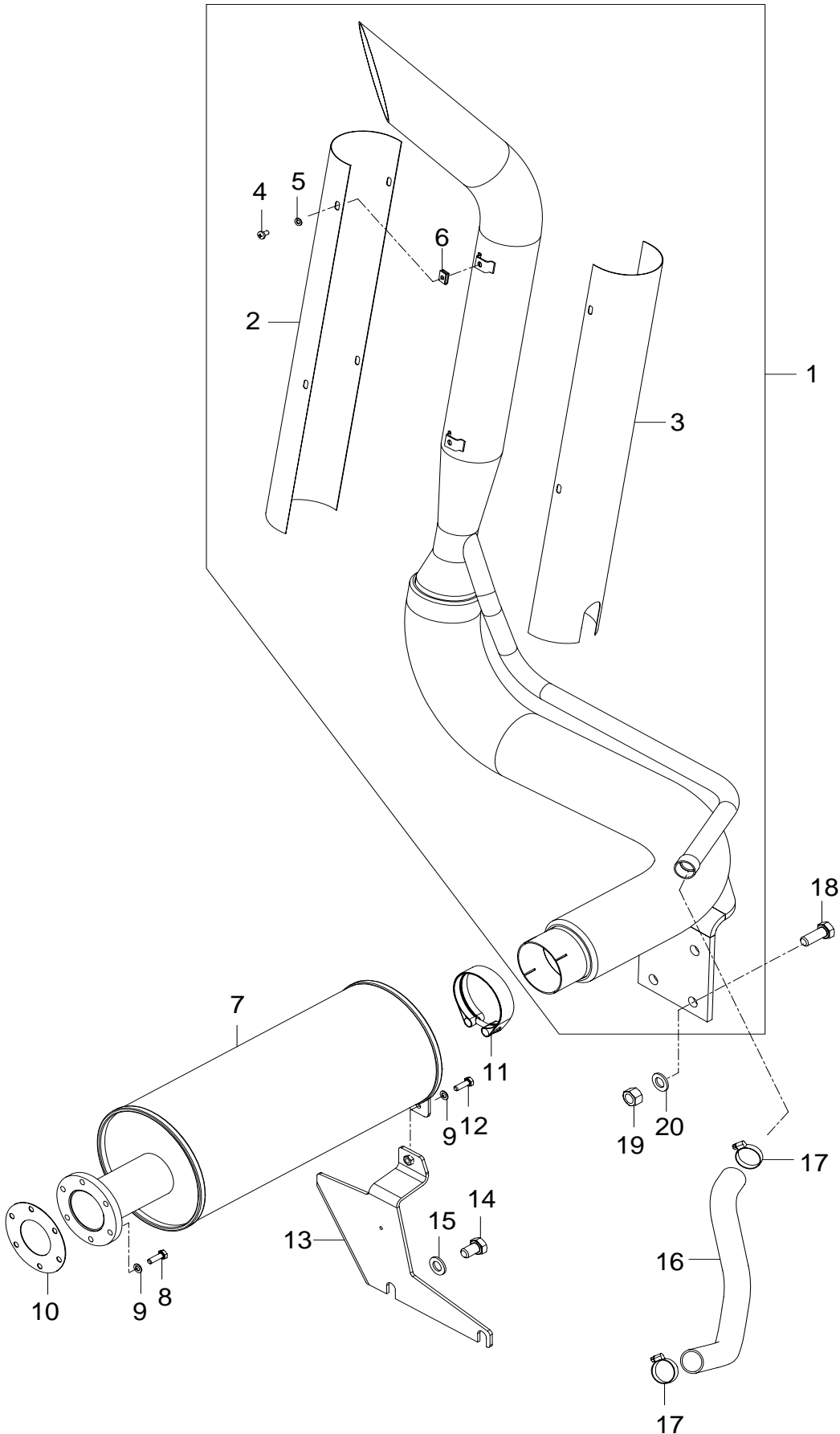
T121c, T121h, T131c, T131h,
T151eh, T151eLS, T161c, T161h,
T161LS, T171c, T171h, T171LS,
T191h, T191LS

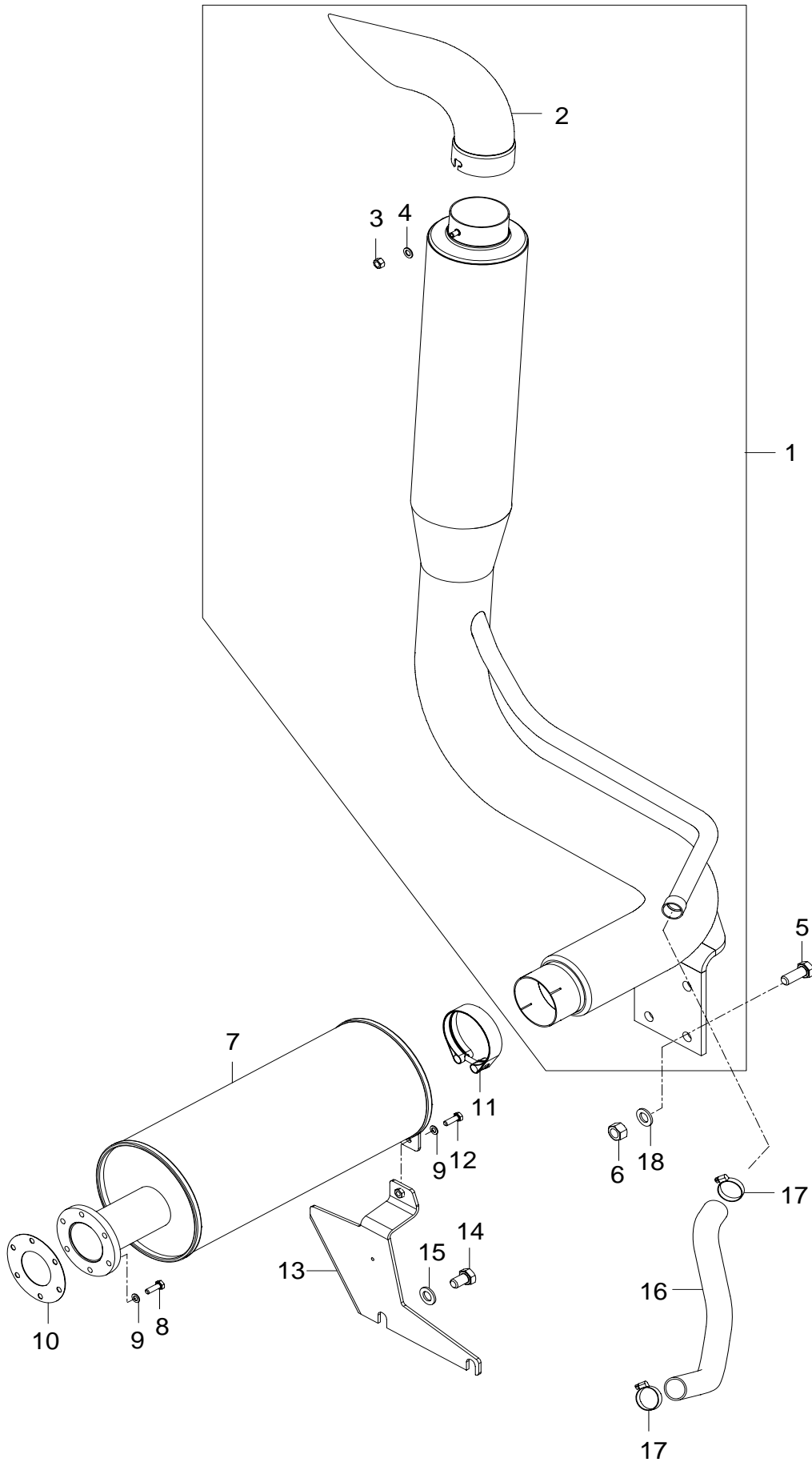


1.6.2007

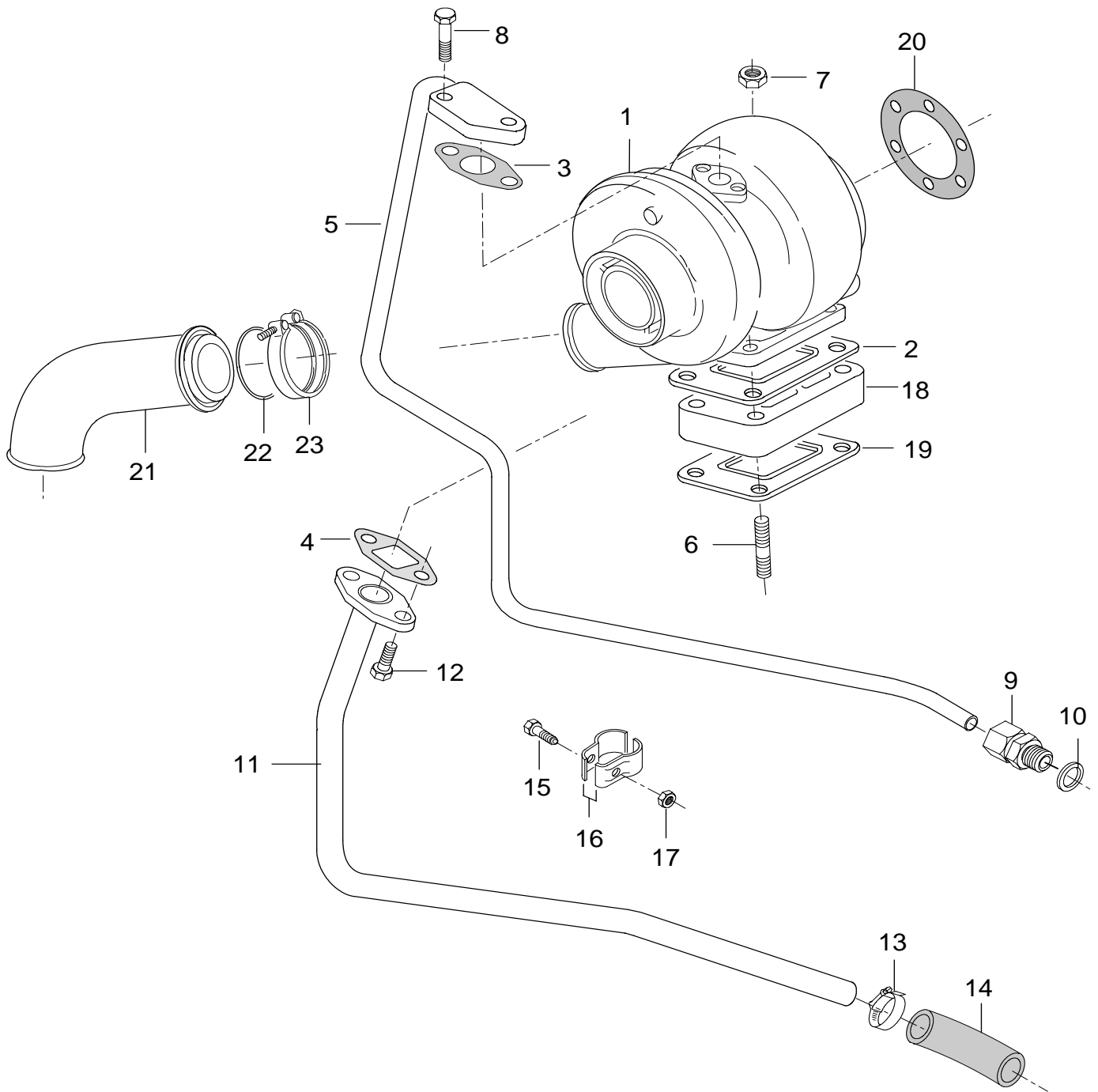
T121c, T121h, T131c, T131h,
T151eh, T151eLS, T161c, T161h,
T161LS, T171c, T171h, T171LS,
T191h, T191LS

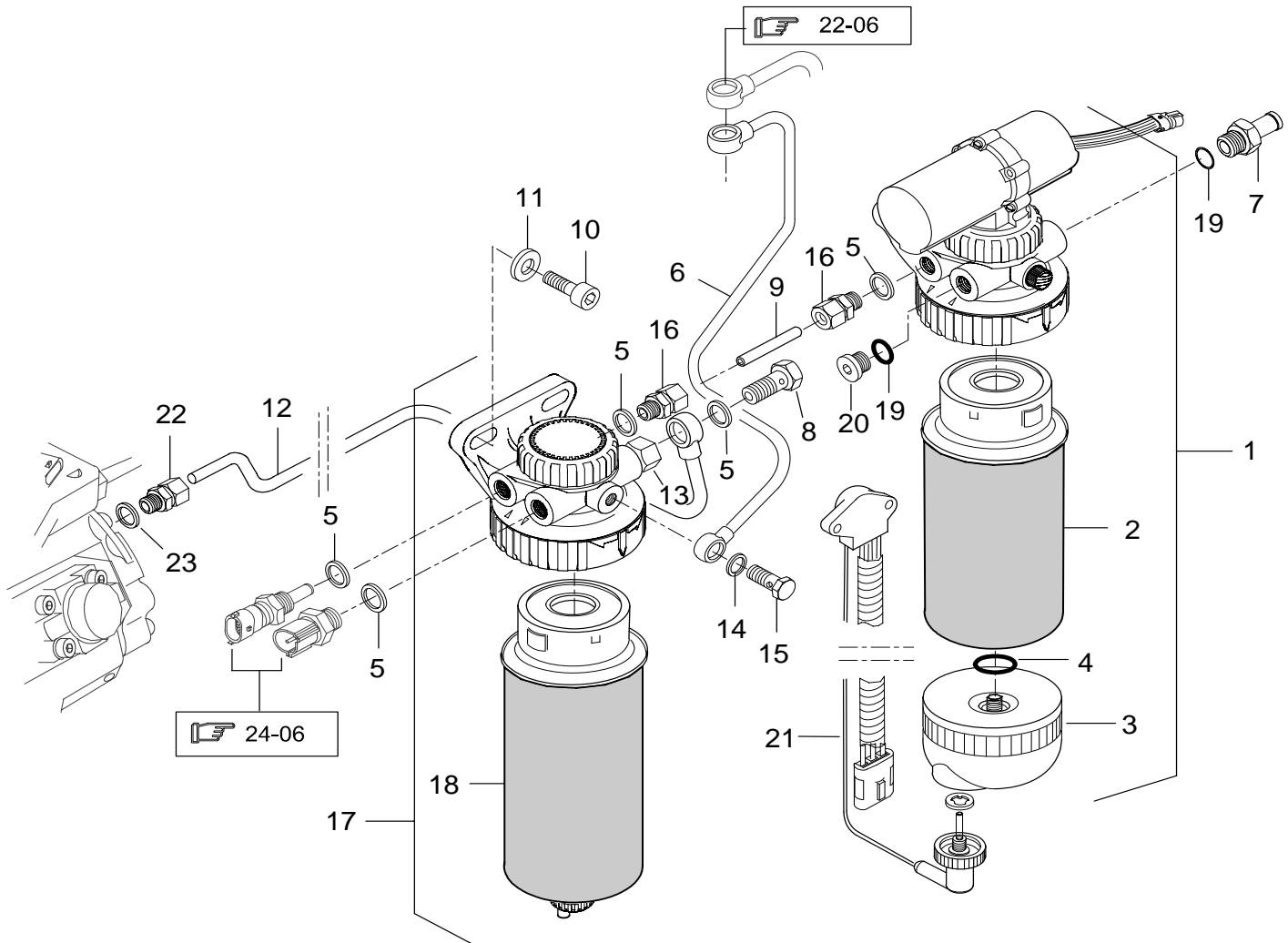




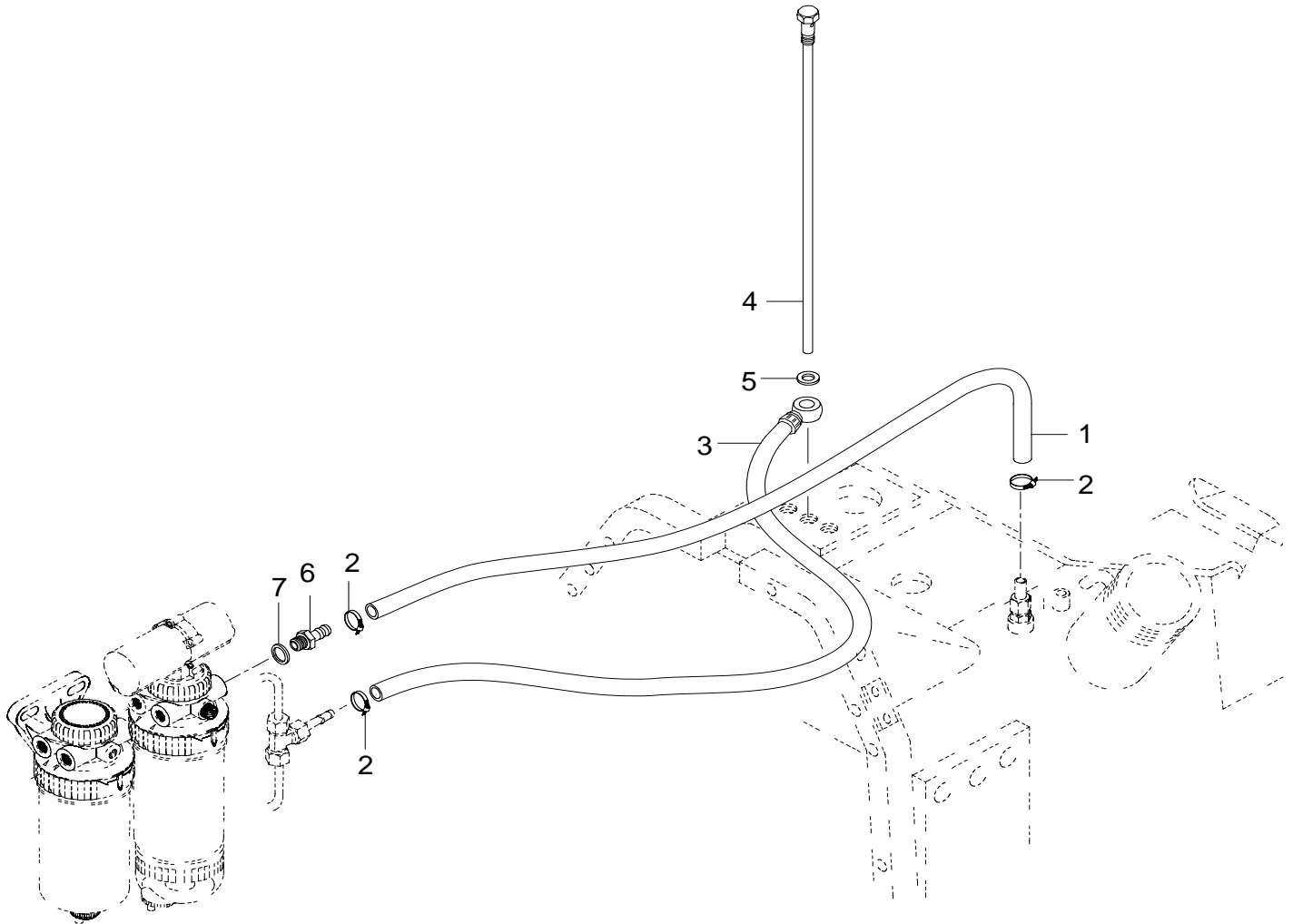


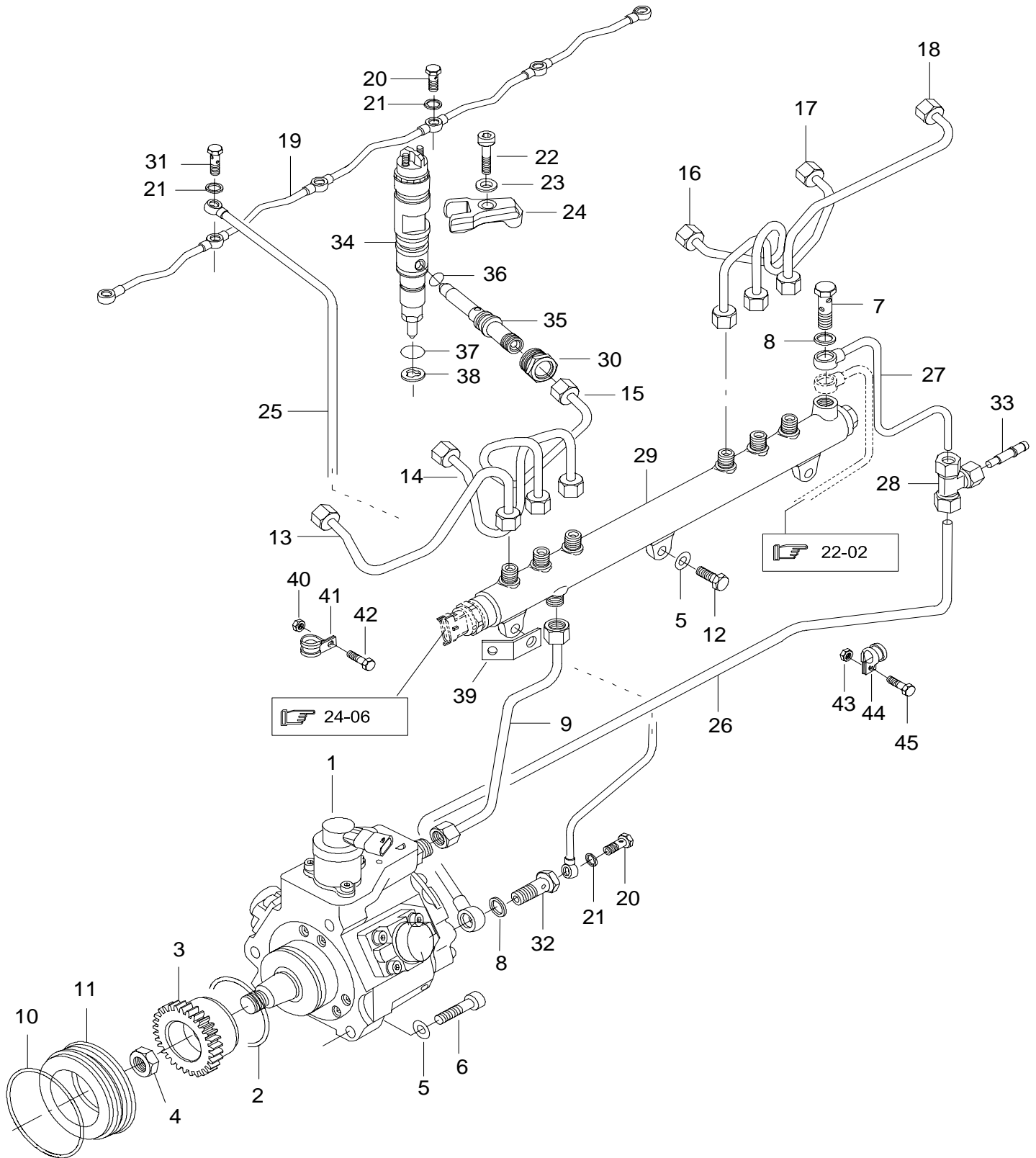
1.6.2007

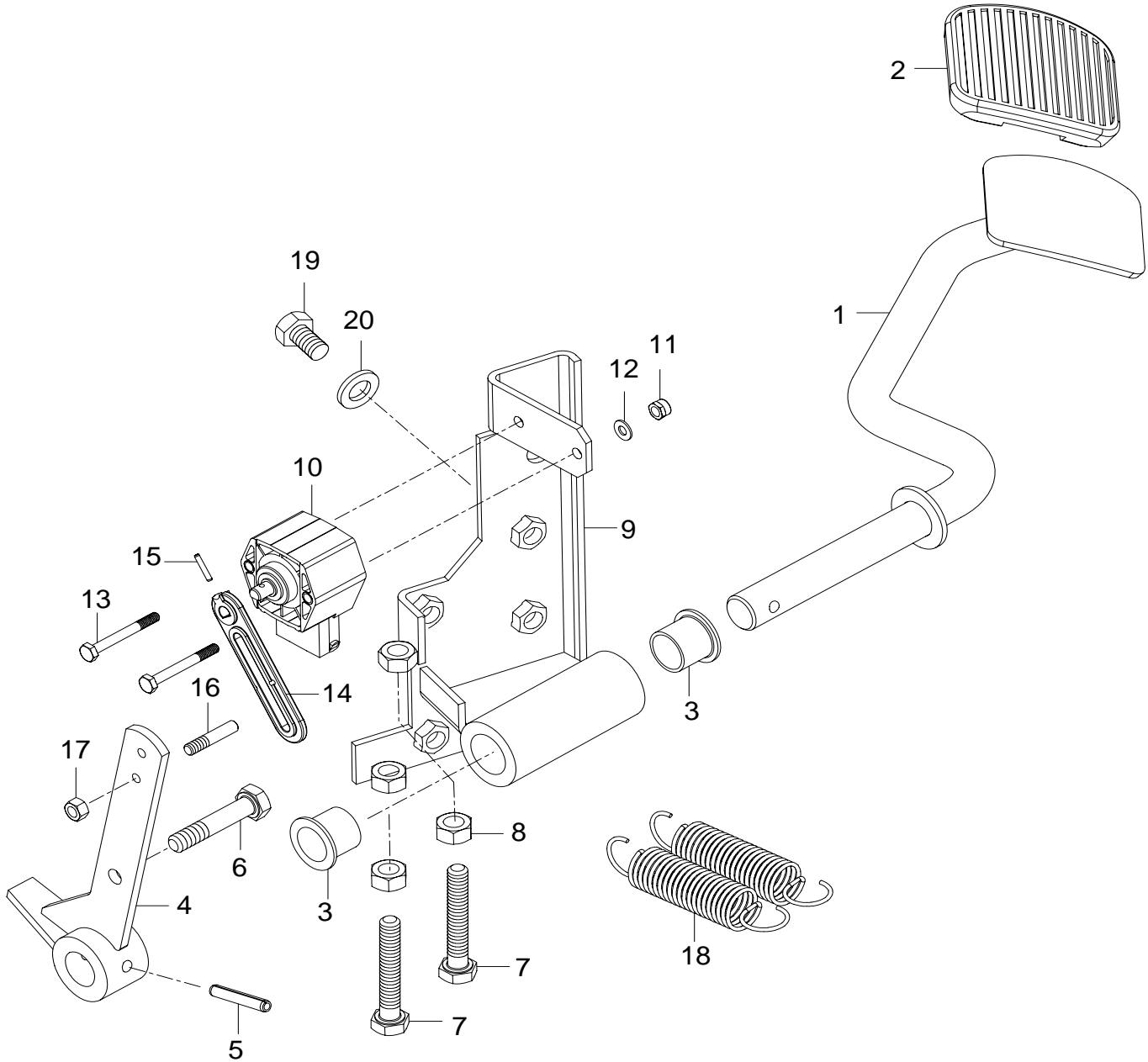
T121c, T121h, T131c, T131h,
T151eh, T151eLS, T161c, T161h,
T161LS, T171c, T171h, T171LS,
T191h, T191LS



1.6.2007

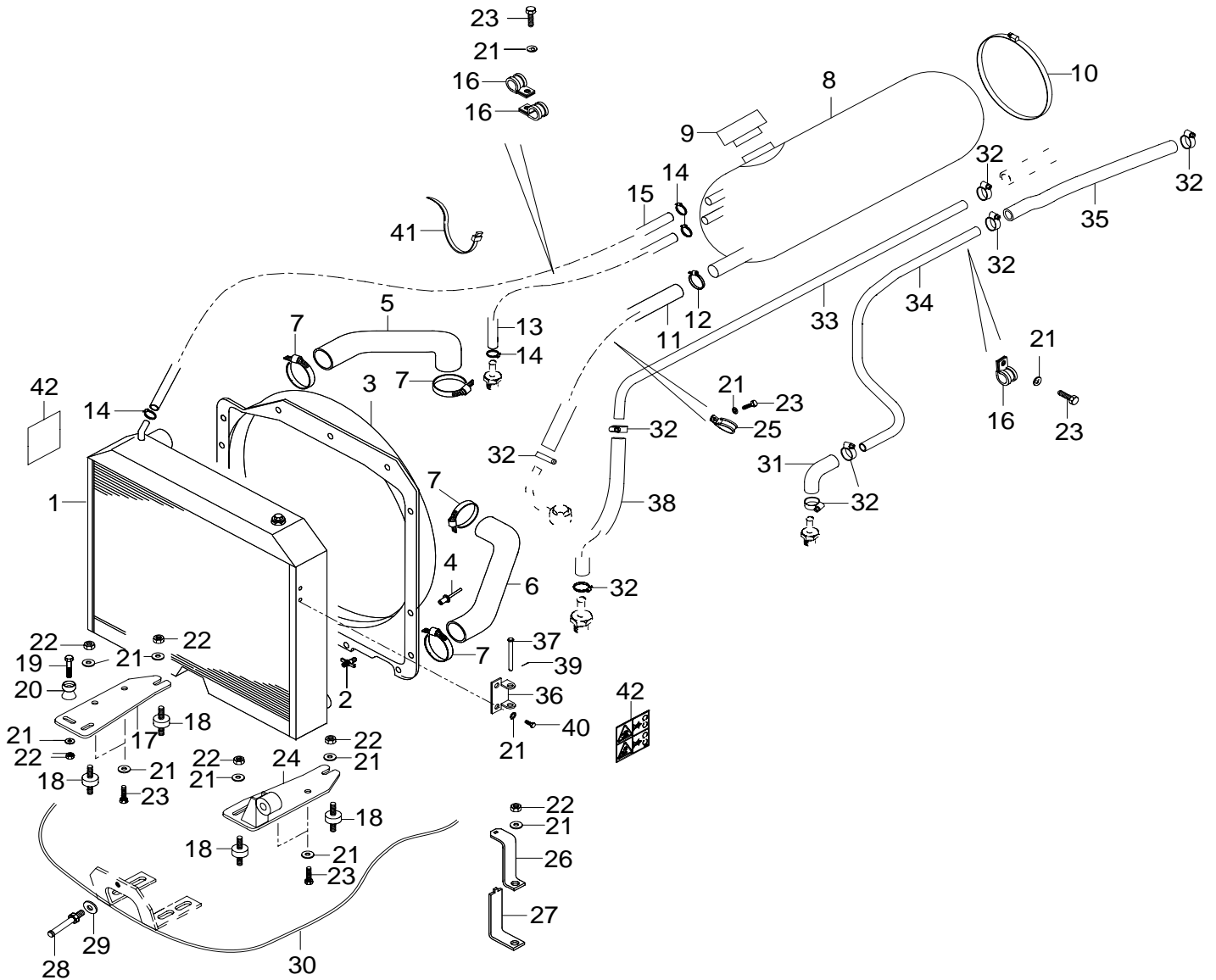
T121c, T121h, T131c, T131h,
T151eh, T151eLS, T161c, T161h,
T161LS, T171c, T171h, T171LS,
T191h, T191LS





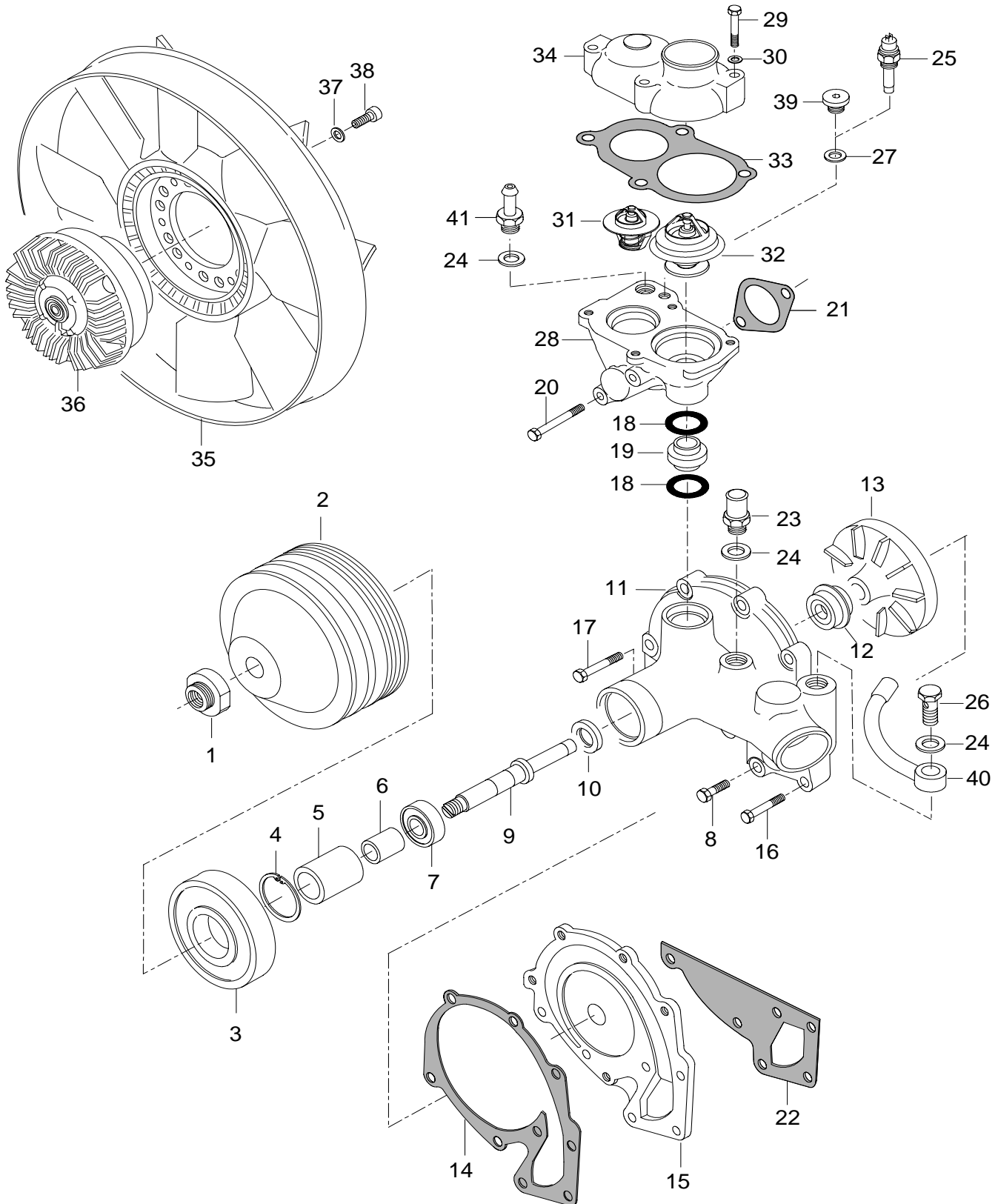
1.6.2007

T121c, T121h, T131c, T131h,
T151eh, T151eLS, T161c, T161h,
T161LS, T171c, T171h, T171LS,
T191h, T191LS



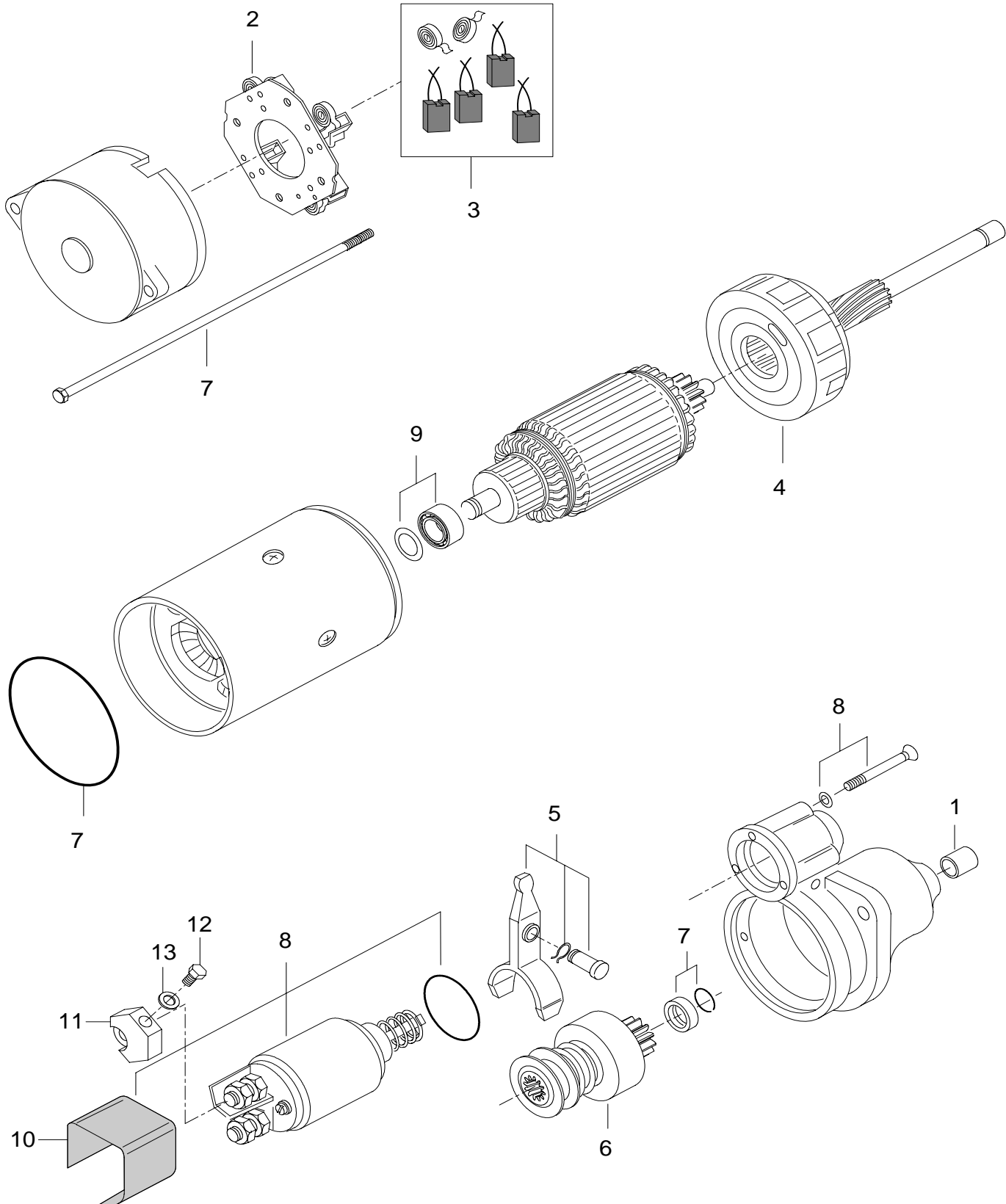
1.6.2007

T121c, T121h, T131c, T131h,
T151eh, T151eLS, T161c, T161h,
T161LS, T171c, T171h, T171LS,
T191h, T191LS

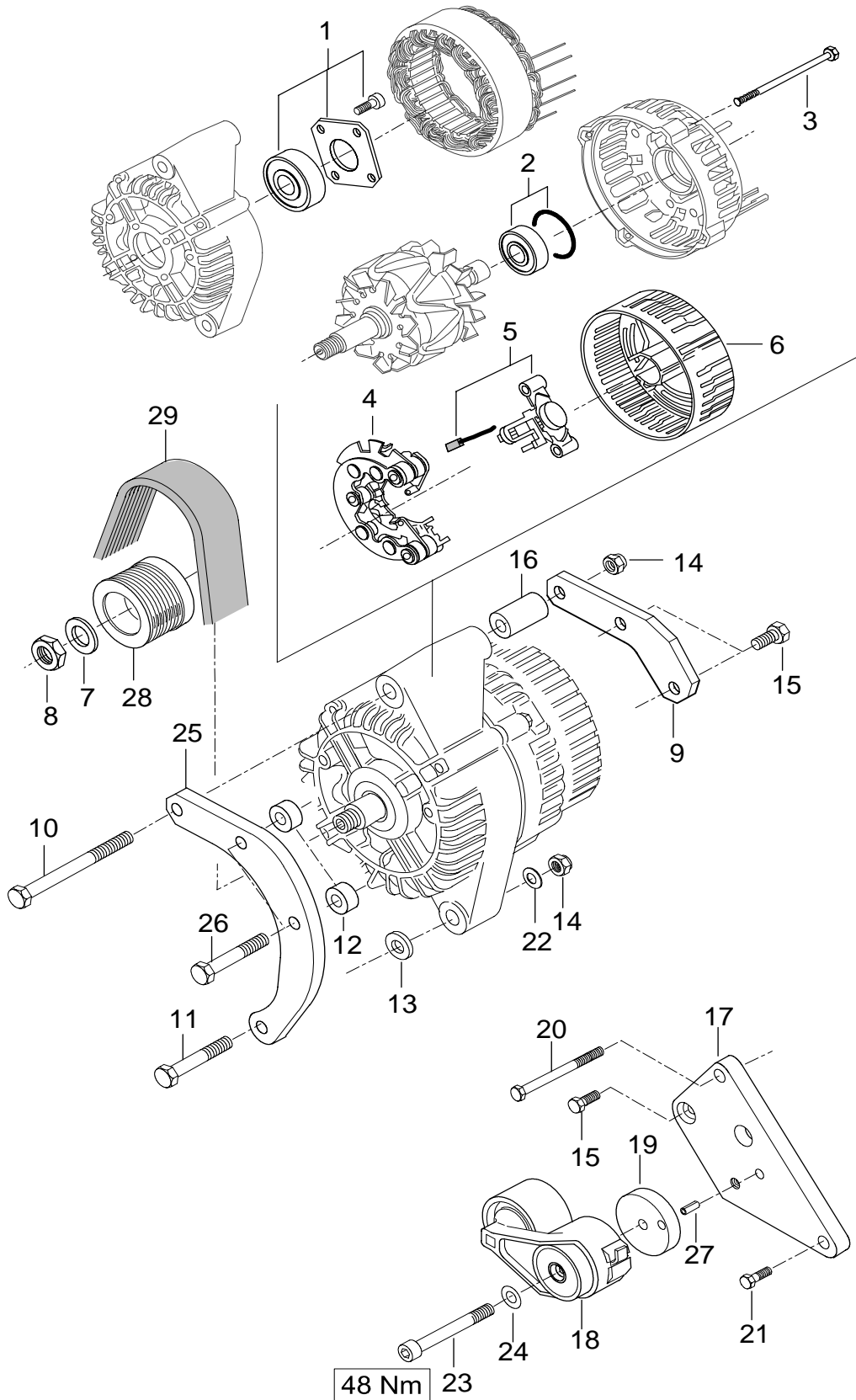


1.6.2007

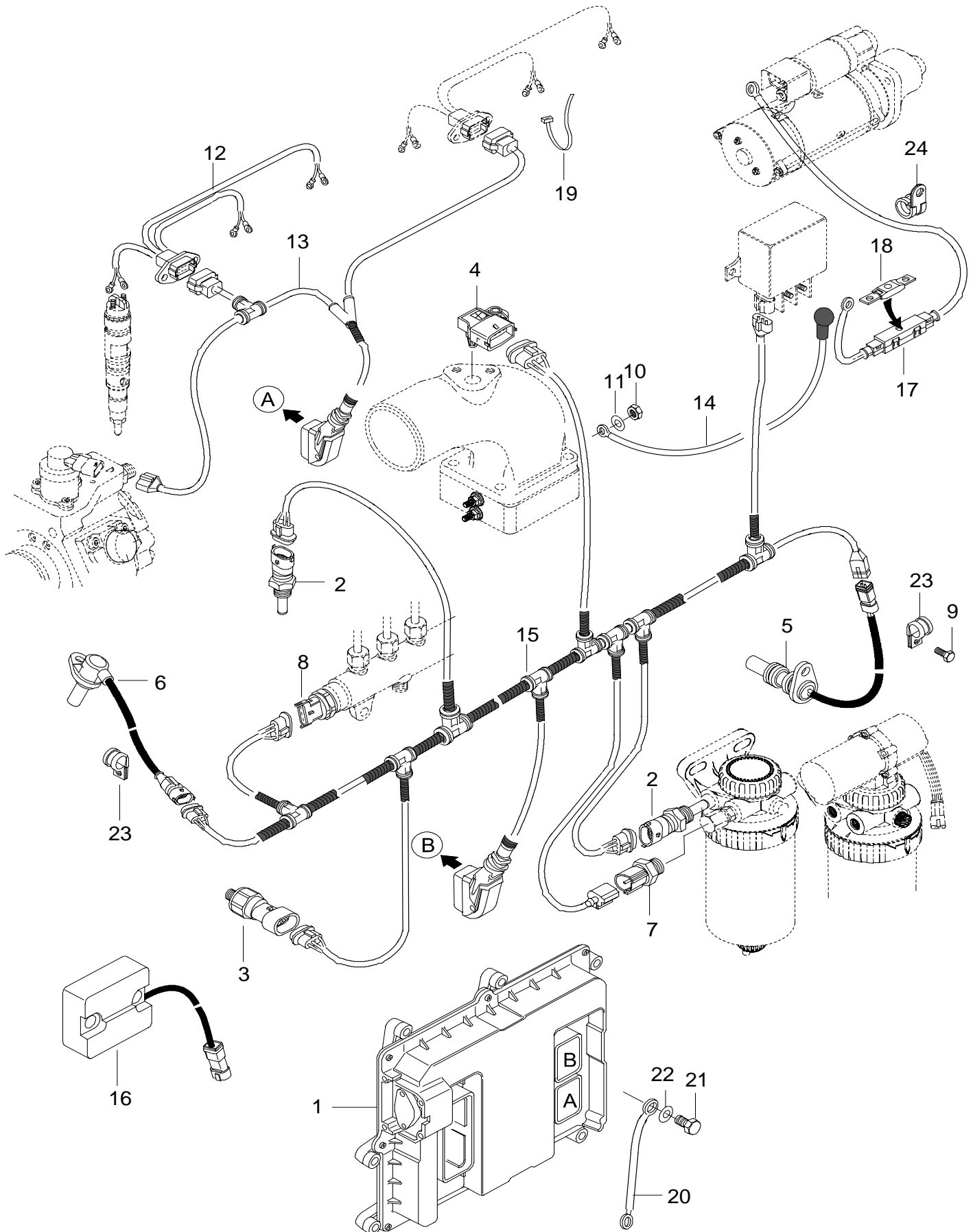
T121c, T121h, T131c, T131h,
T151eh, T151eLS, T161c, T161h,
T161LS, T171c, T171h, T171LS,
T191h, T191LS

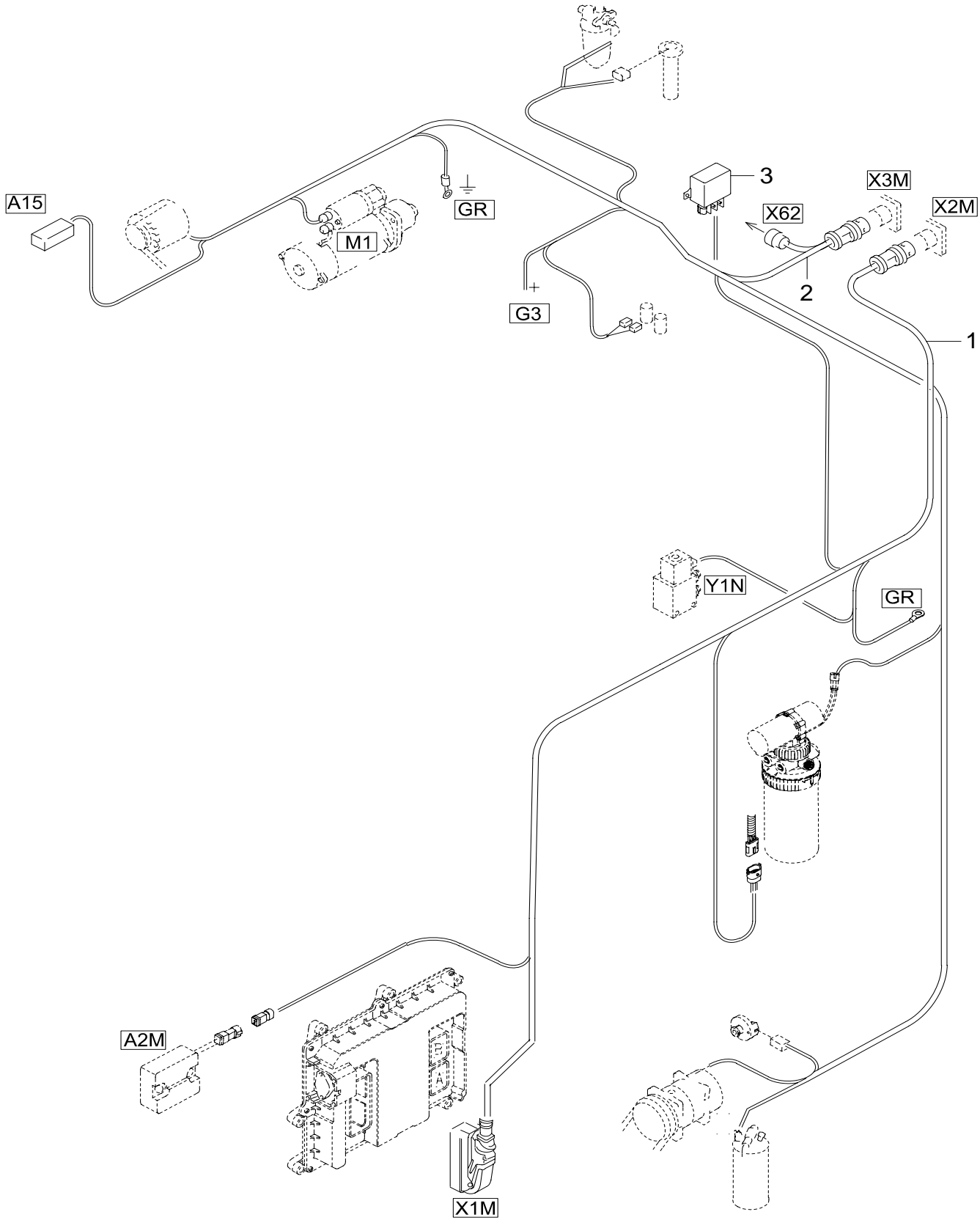


1.6.2007
 T121c, T121h, T131c, T131h,
 T151eh, T151eLS, T161c, T161h,
 T161LS, T171c, T171h, T171LS,
 T191h, T191LS



1.6.2007
 T121c, T121h, T131c, T131h,
 T151eh, T151eLS, T161c, T161h,
 T161LS, T171c, T171h, T171LS,
 T191h, T191LS





MOOTTORIN
KORJAUSPAKETTI
JA LAAKERIT

PACKNINGSSATSER
OCH LAGER

ENGINE REPAIR KIT
AND BEARING

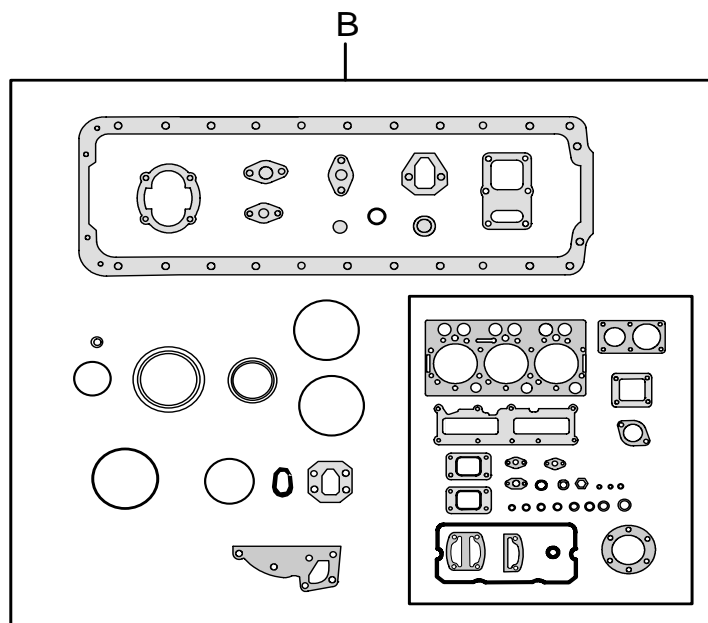
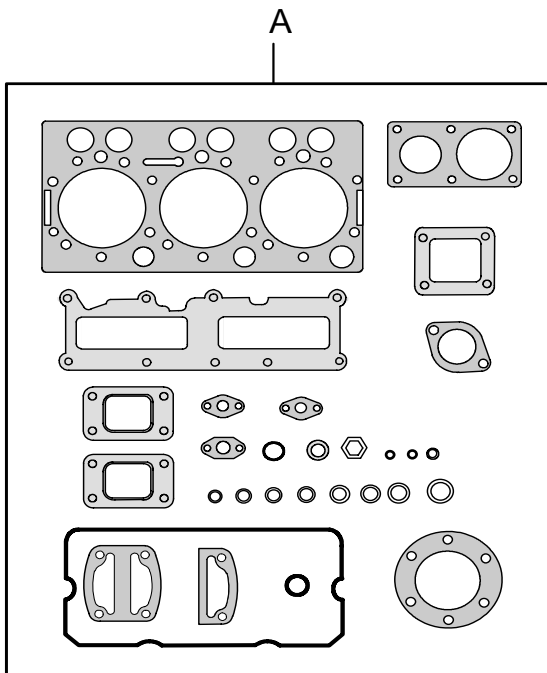
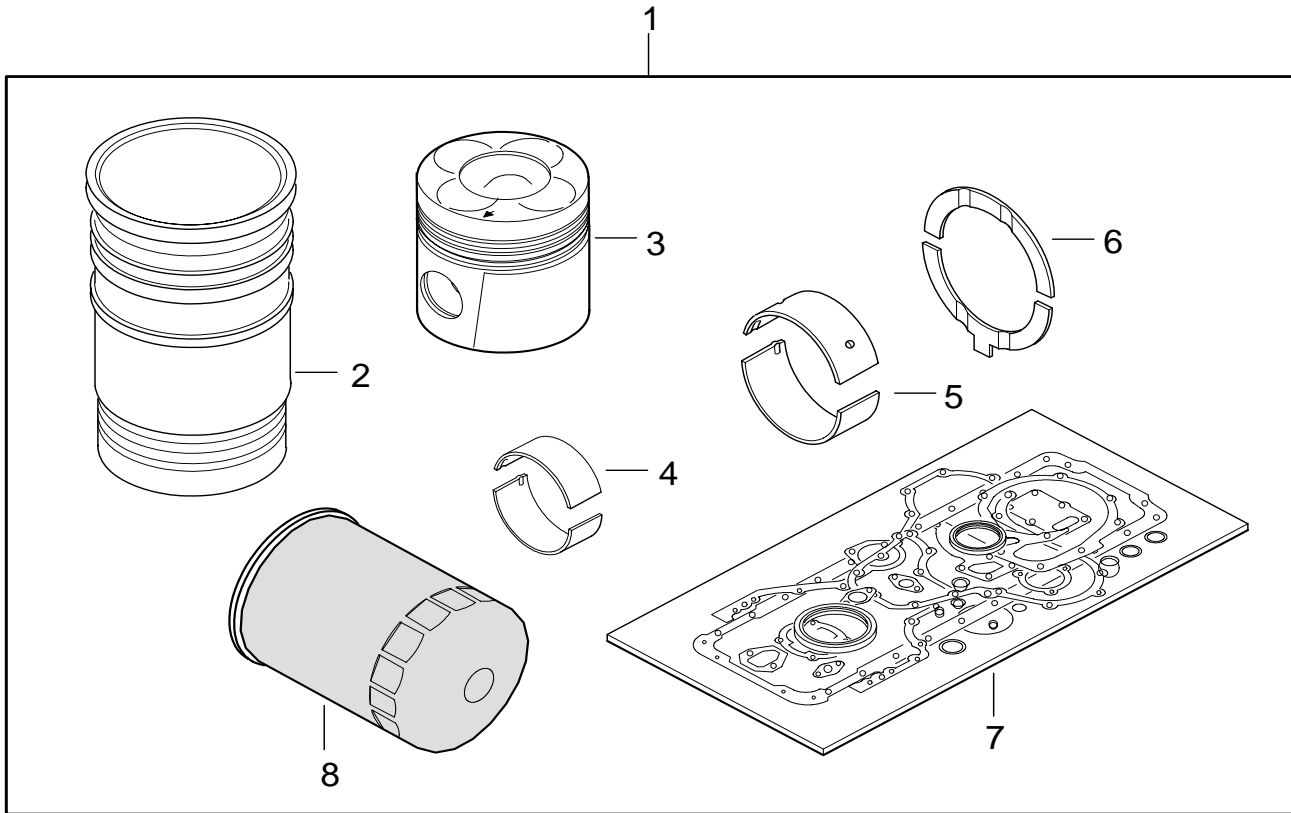
REPARATURSATZ
FÜR MOTOR UND
LAGER

KIT DE REPARATION
DU MOTEUR ET
ROULEMENTS

28-01

1.6.2007

T121c, T121h, T131c, T131h,
T151eh, T151eLS, T161c, T161h,
T161LS, T171c, T171h, T171LS,
T191h, T191LS



MOOTTORIN-
LÄMMITIN
(LISÄVARUSTE)

MOTORVÄRMARE
(EXTRA
UTRUSTNING)

ENGINE HEATER
(OPTIONAL
EQUIPMENT)

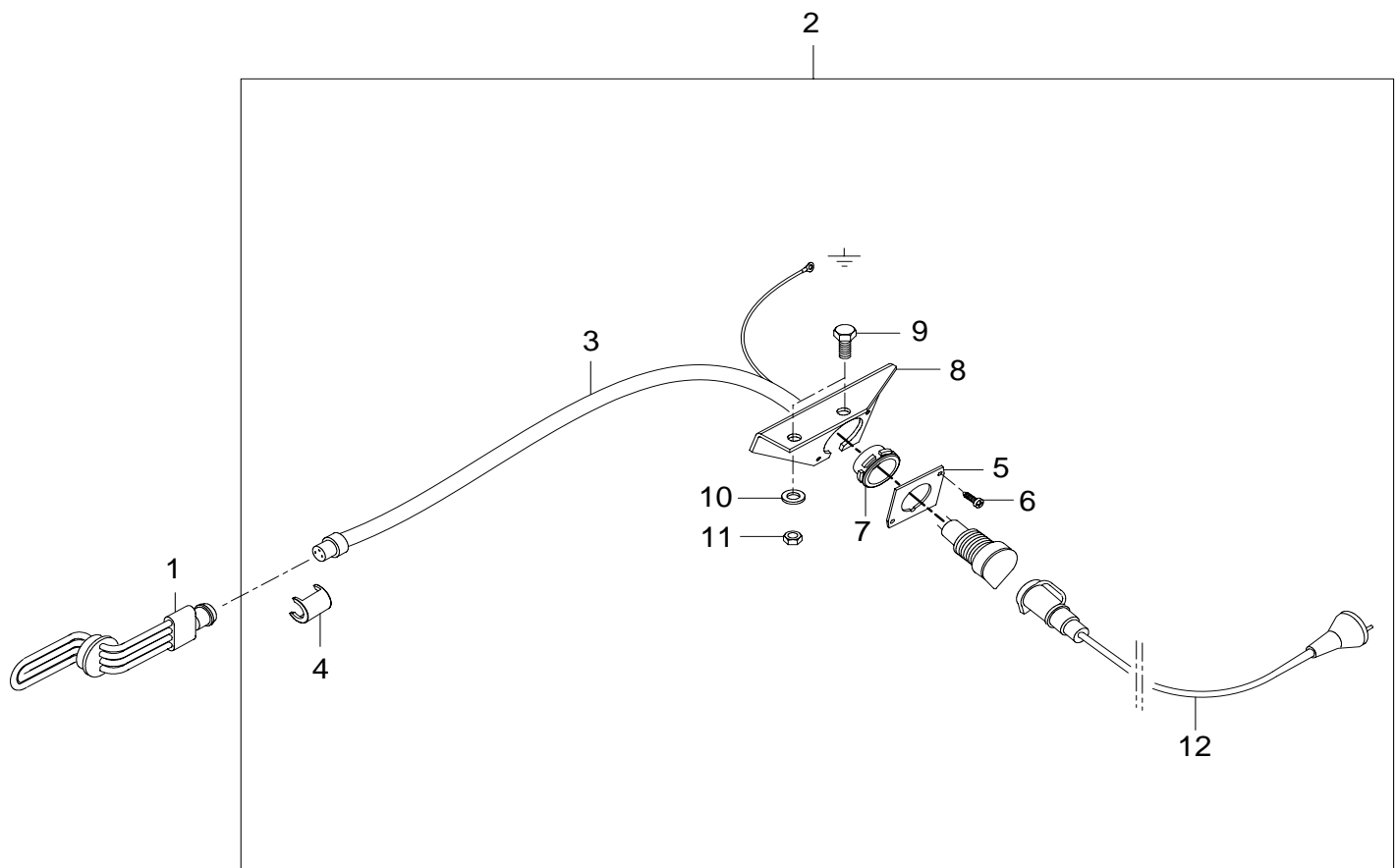
MOTORHEIZUNG
(EXTRAZUBEHÖR)

CHAUFFAGE DU
MOTEUR
(EQUIPEMENT
OPTIONNEL)

29-01

1.6.2007

T121c, T121h, T131c, T131h,
T151eh, T151eLS, T161c, T161h,
T161LS, T171c, T171h, T171LS,
T191h, T191LS



PAINELMALAITTEET
(LISÄVARUSTE)

TRYCKLUFTSAPPAR
ATER (EXTRA
UTRUSTNING)

PNEUMATIC
APPLIANCES
(OPTIONAL
EQUIPMENT)

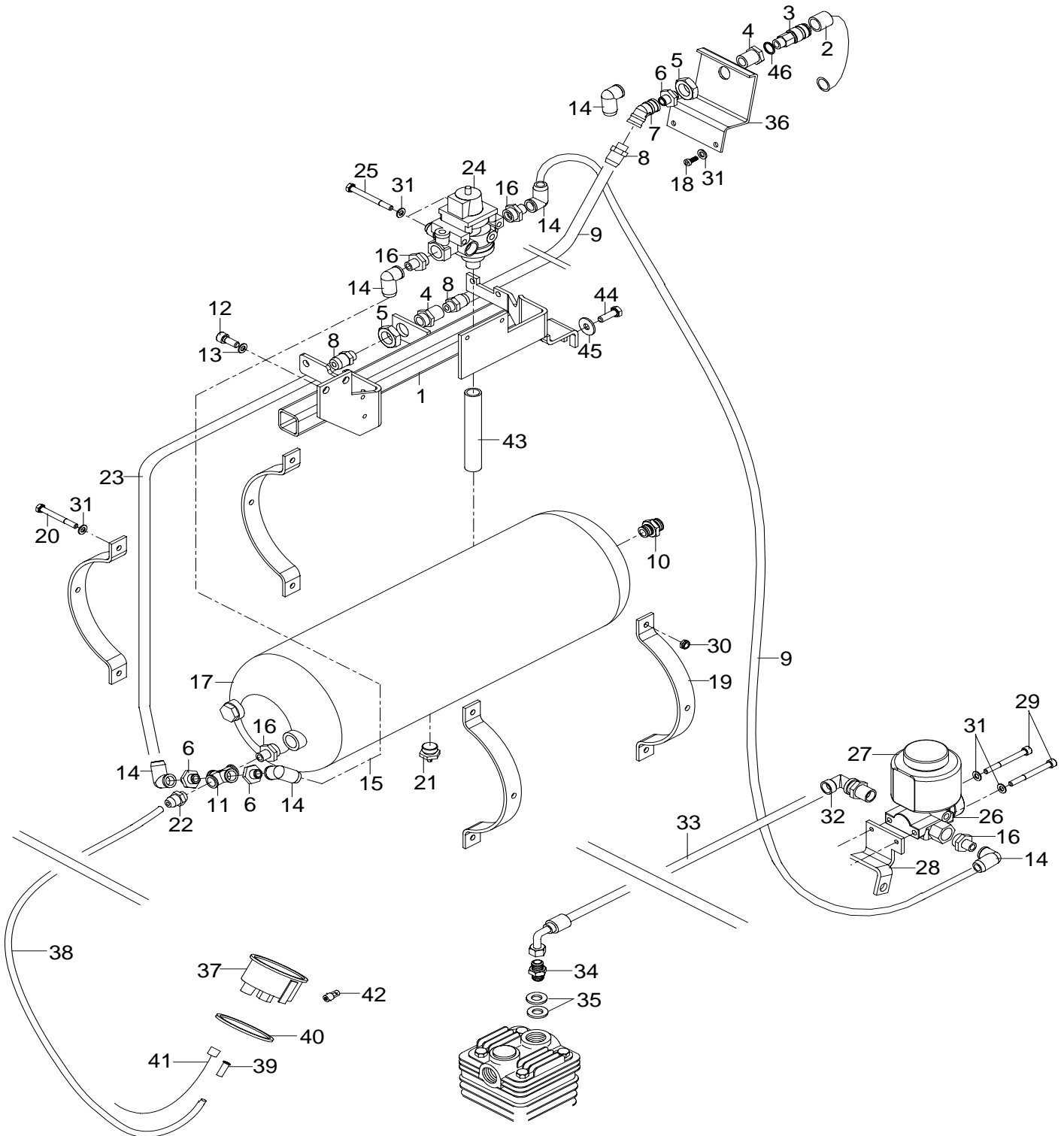
DRUCKLUFTGERÄTE
(EXTRAZUBEHÖR)

APPAREILS
PNEUMATIQUES
(EQUIPEMENT
OPTIONNEL)

29-03

1.6.2007

T121c, T121h, T131c, T131h,
T151eh, T151eLS, T161c, T161h,
T161LS, T171c, T171h, T171LS,
T191h, T191LS



KOMPRESSORI
(LISÄVARUSTE)

KOMPRESSOR
(EXTRA
UTRUSTNING)

COMPRESSOR
(OPTIONAL
EQUIPMENT)

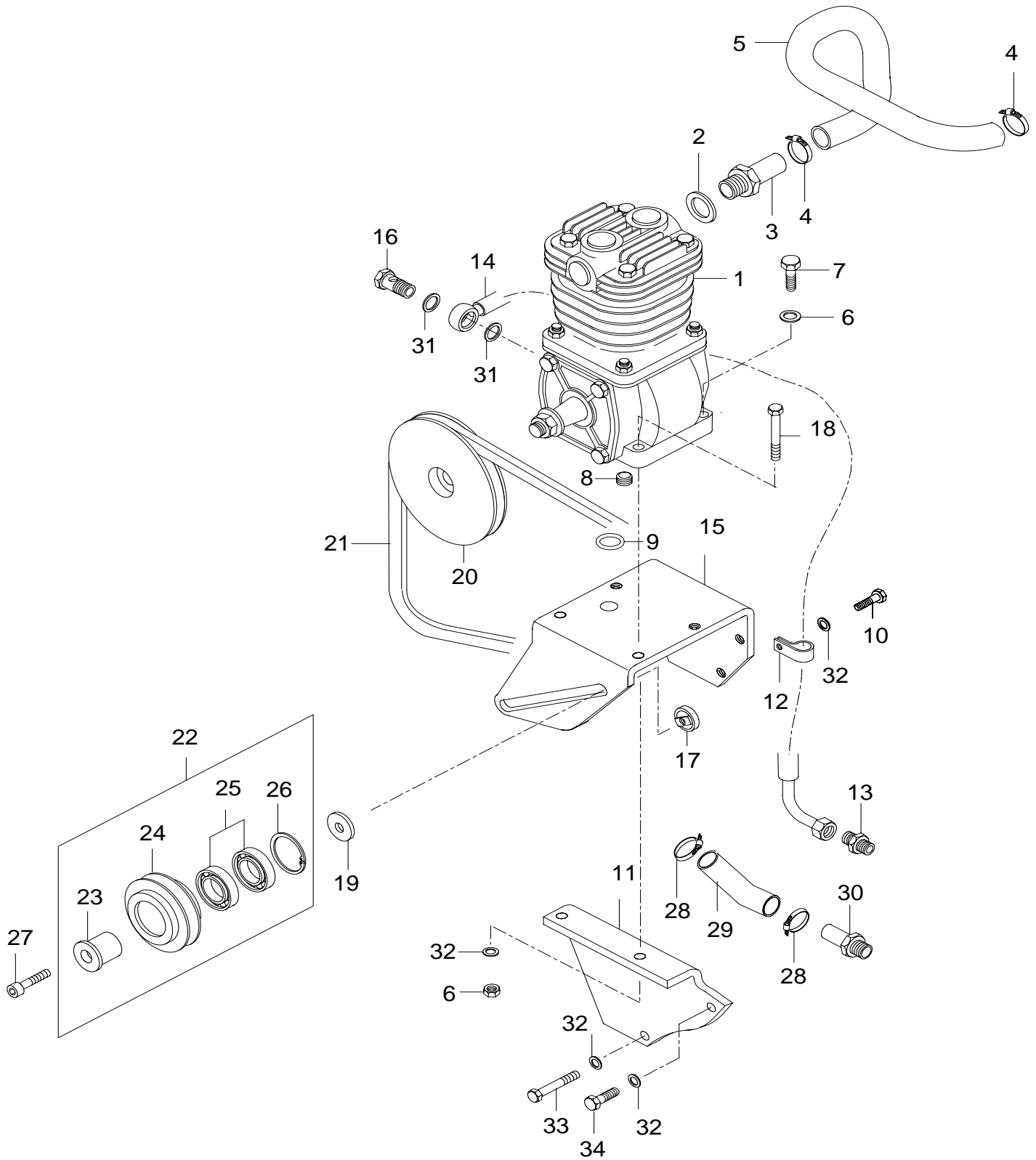
KOMPRESSOR
(EXTRAZUBEHÖR)

COMPRESSEUR
(EQUIPEMENT
OPTIONNEL)

29-05

1.6.2007

T121c, T121h, T131c, T131h,
T151eh, T151eLS, T161c, T161h,
T161LS, T171c, T171h, T171LS,
T191h, T191LS



KOMPRESSORI
(LISÄVARUSTE)

KOMPRESSOR
(EXTRA
UTRUSTNING)

COMPRESSOR
(OPTIONAL
EQUIPMENT)

KOMPRESSOR
(EXTRAZUBEHÖR)

COMPRESSEUR
(EQUIPEMENT
OPTIONNEL)

29-07

1.6.2007

T121c, T121h, T131c, T131h,
T151eh, T151eLS, T161c, T161h,
T161LS, T171c, T171h, T171LS,
T191h, T191LS

