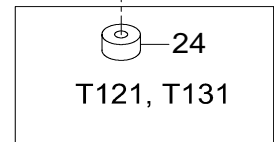
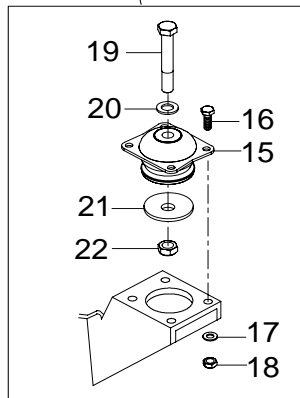
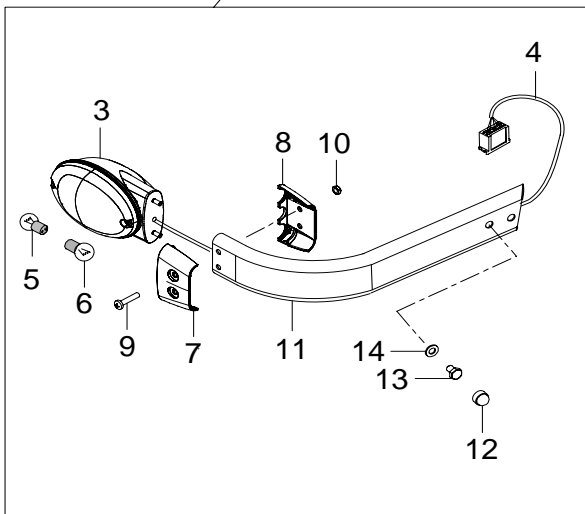
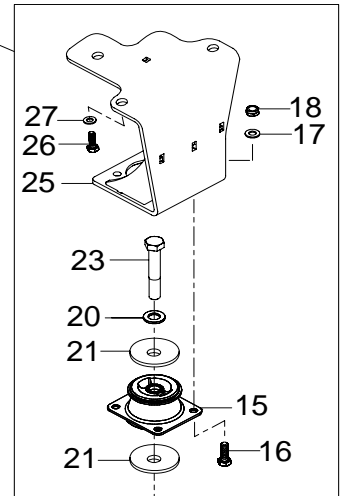
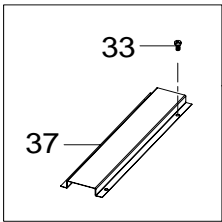
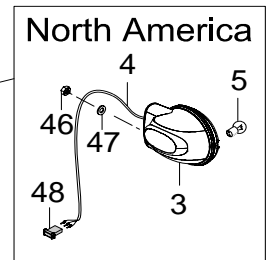
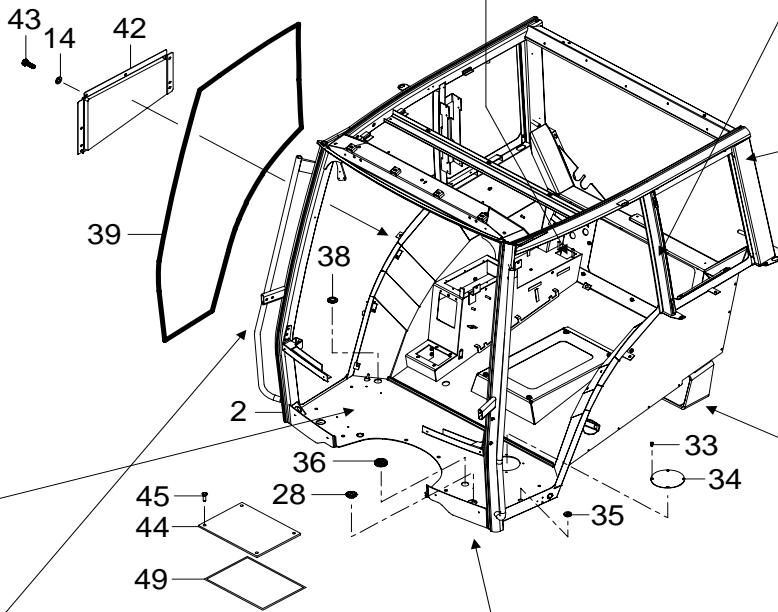
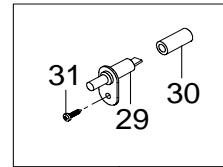
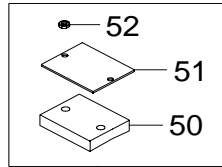
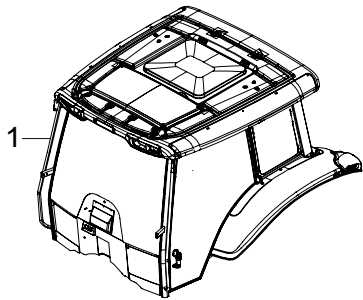
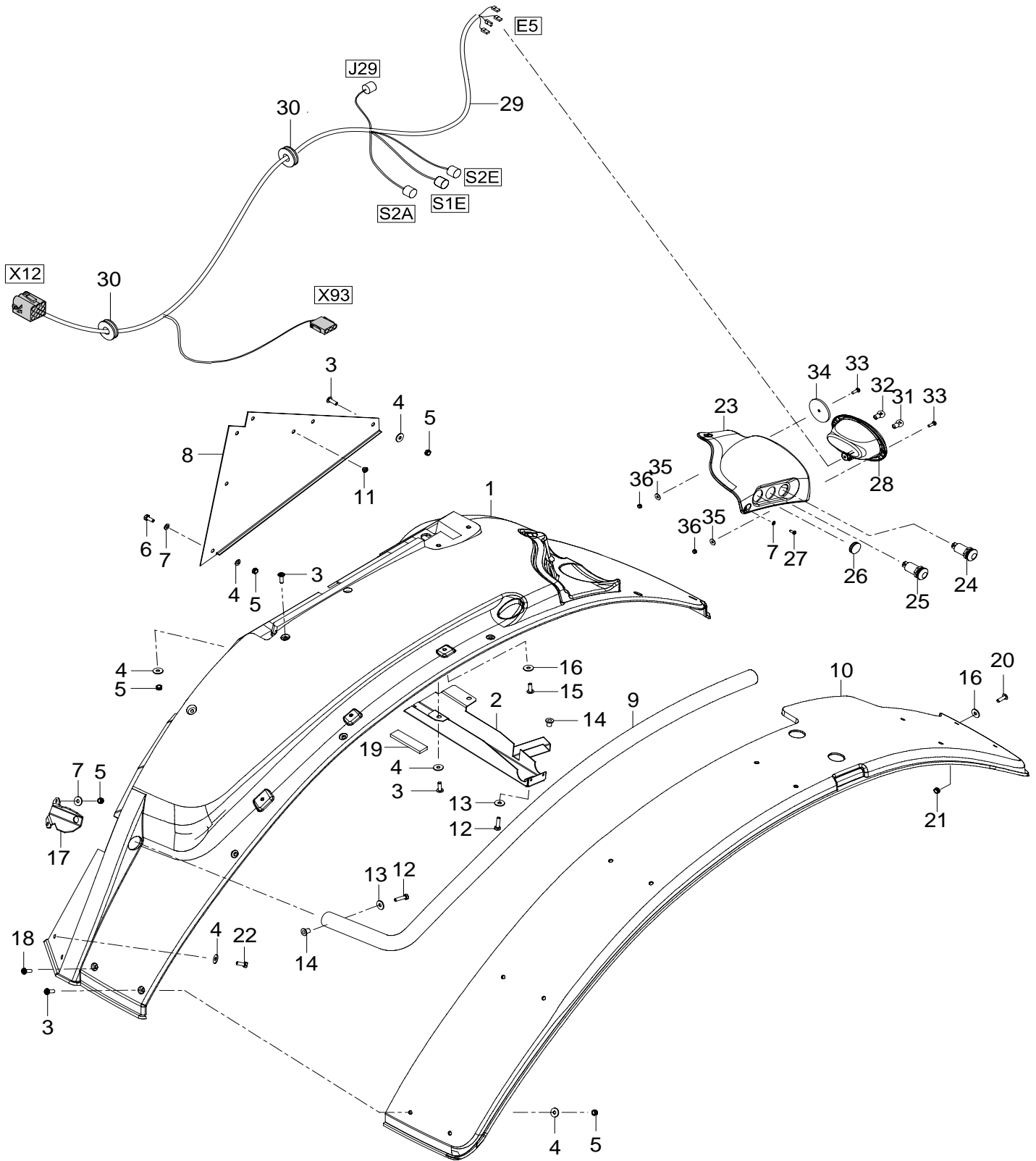


1.6.2007  
 T121c, T121h, T131c, T131h,  
 T151eh, T151eLS, T161c, T161h,  
 T161LS, T171c, T171h, T171LS,  
 T191h, T191LS



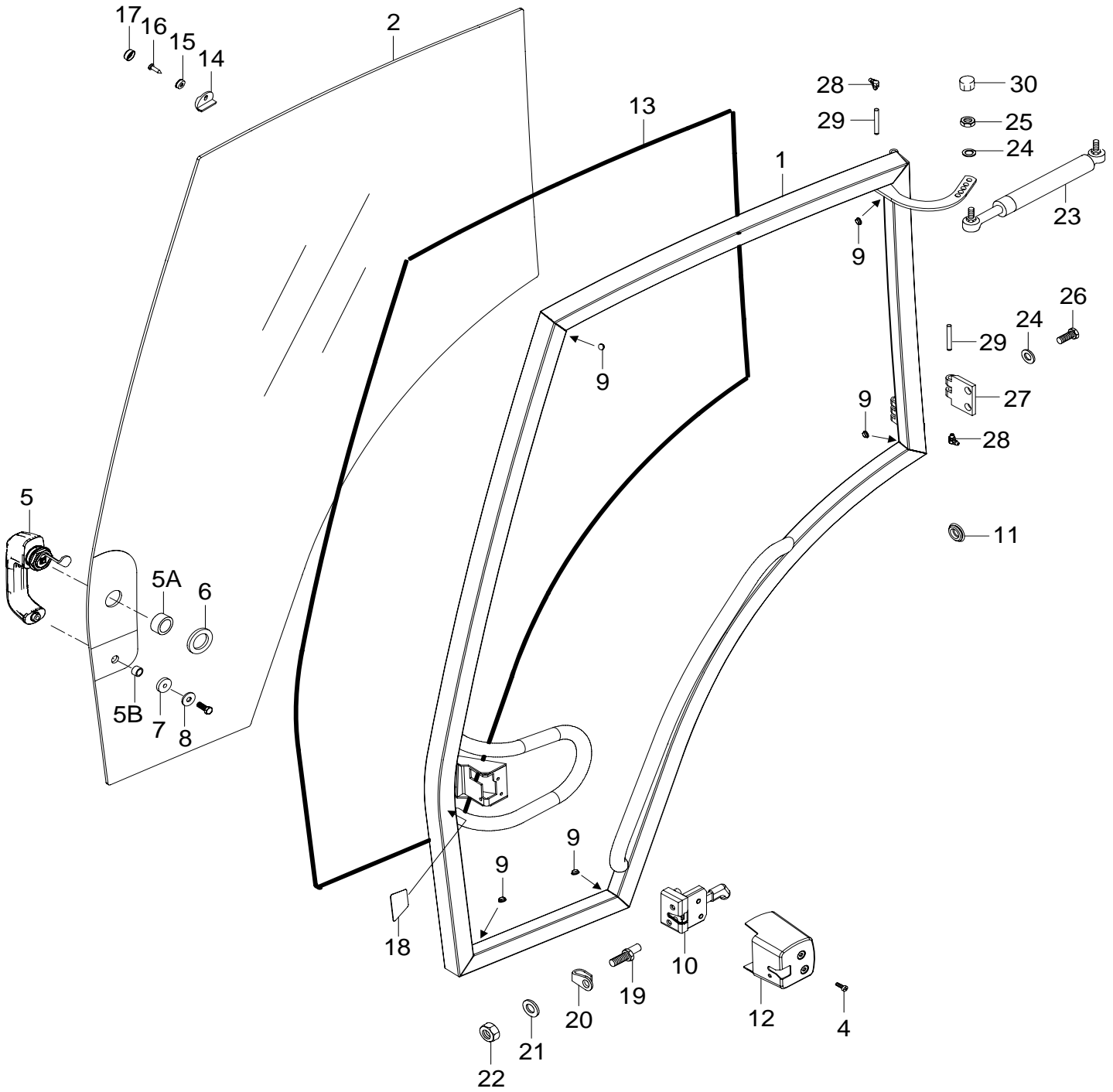
1.6.2007

T121c, T121h, T131c, T131h,  
T151eh, T151eLS, T161c, T161h,  
T161LS, T171c, T171h, T171LS,  
T191h, T191LS

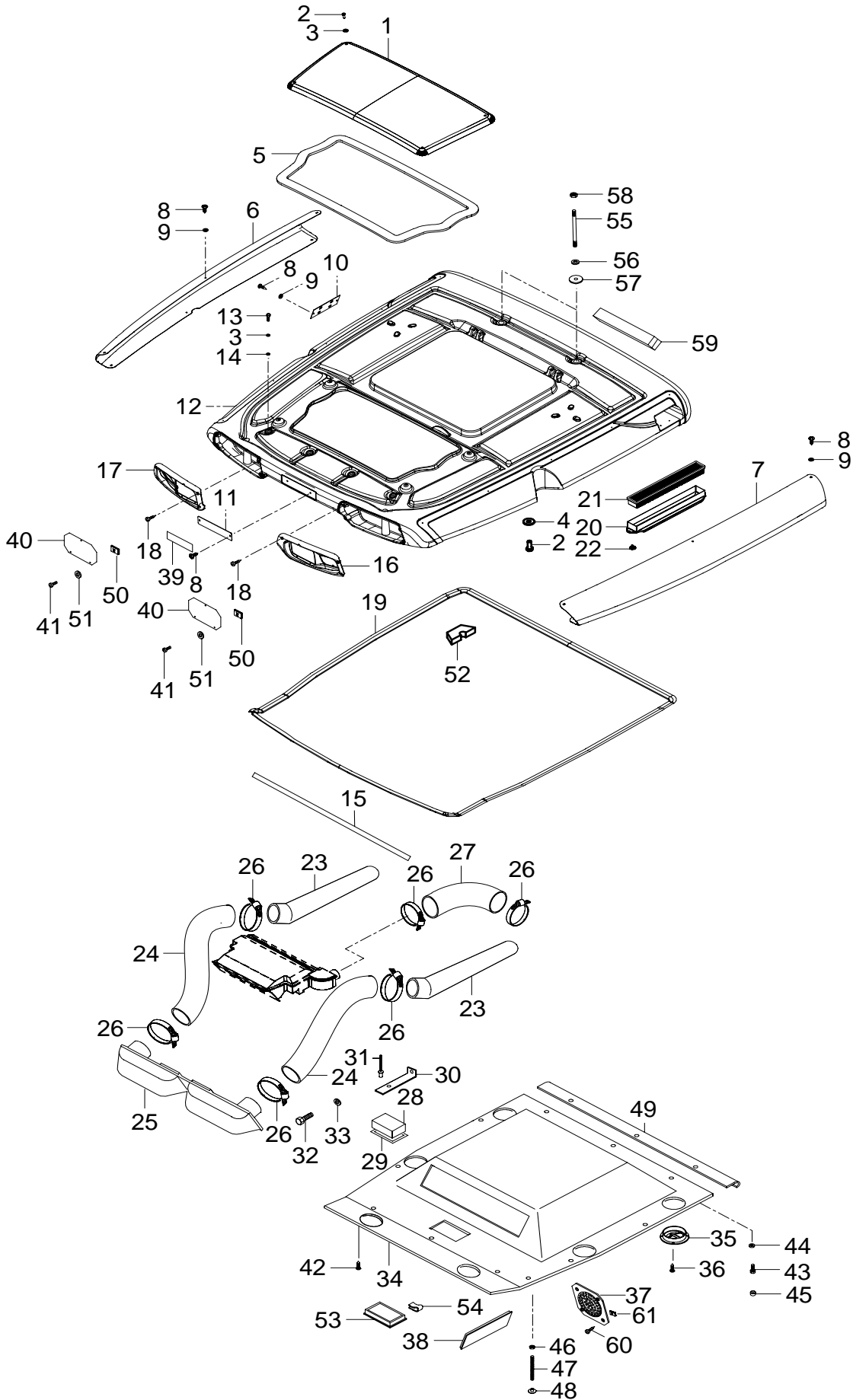


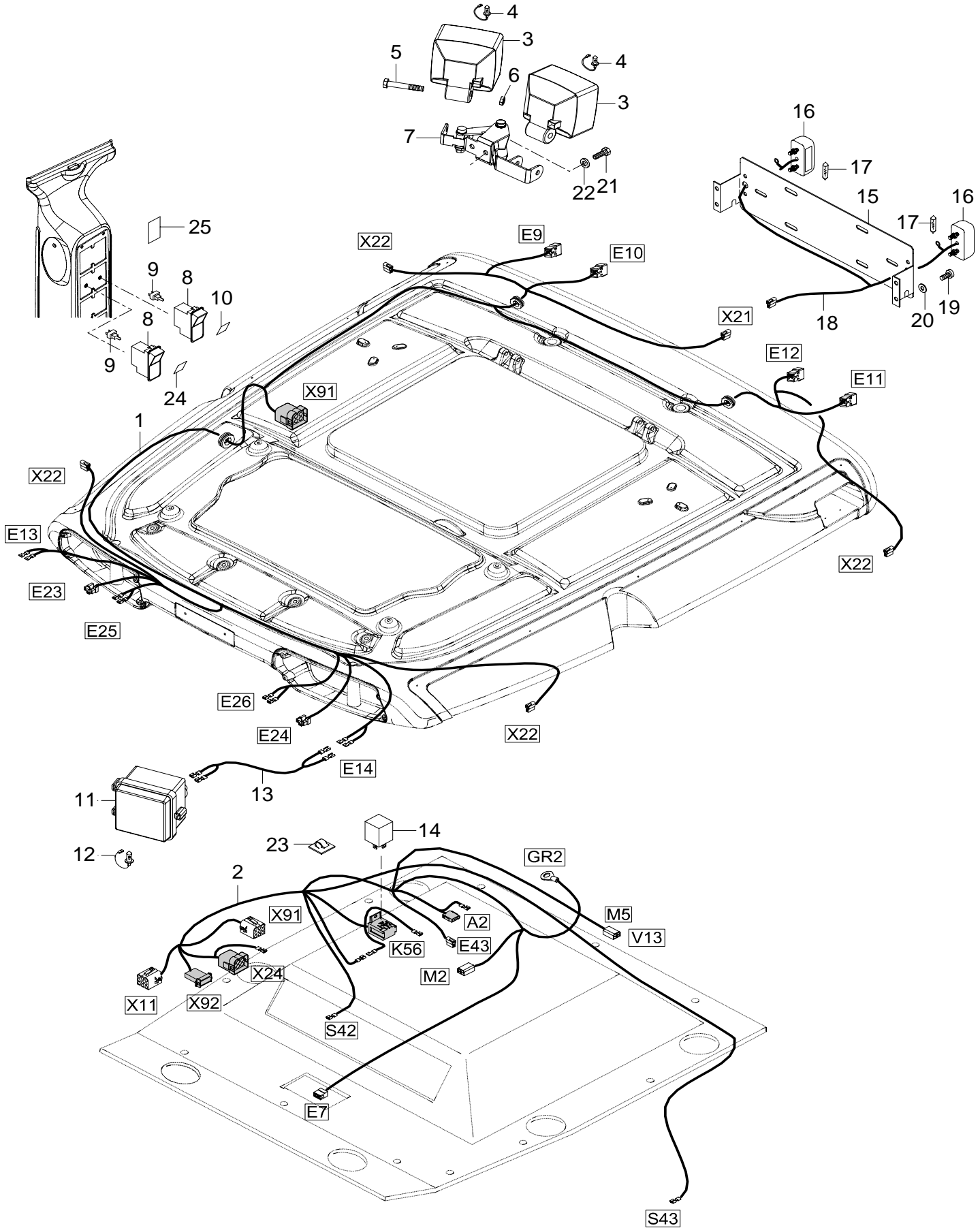
1.6.2007

T121c, T121h, T131c, T131h,  
T151eh, T151eLS, T161c, T161h,  
T161LS, T171c, T171h, T171LS,  
T191h, T191LS

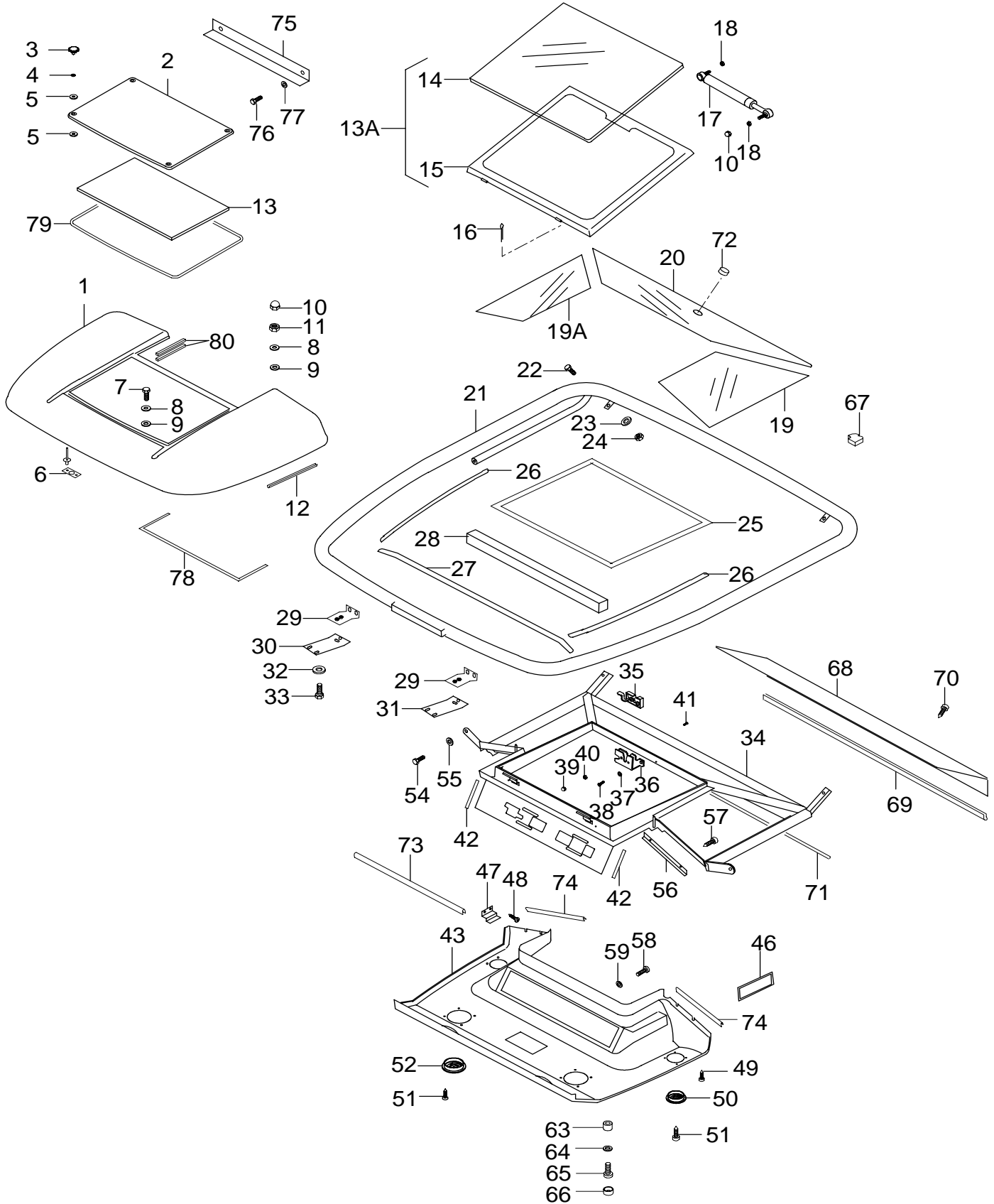


1.6.2007  
 T121c, T121h, T131c, T131h,  
 T151eh, T151eLS, T161c, T161h,  
 T161LS, T171c, T171h, T171LS,  
 T191h, T191LS

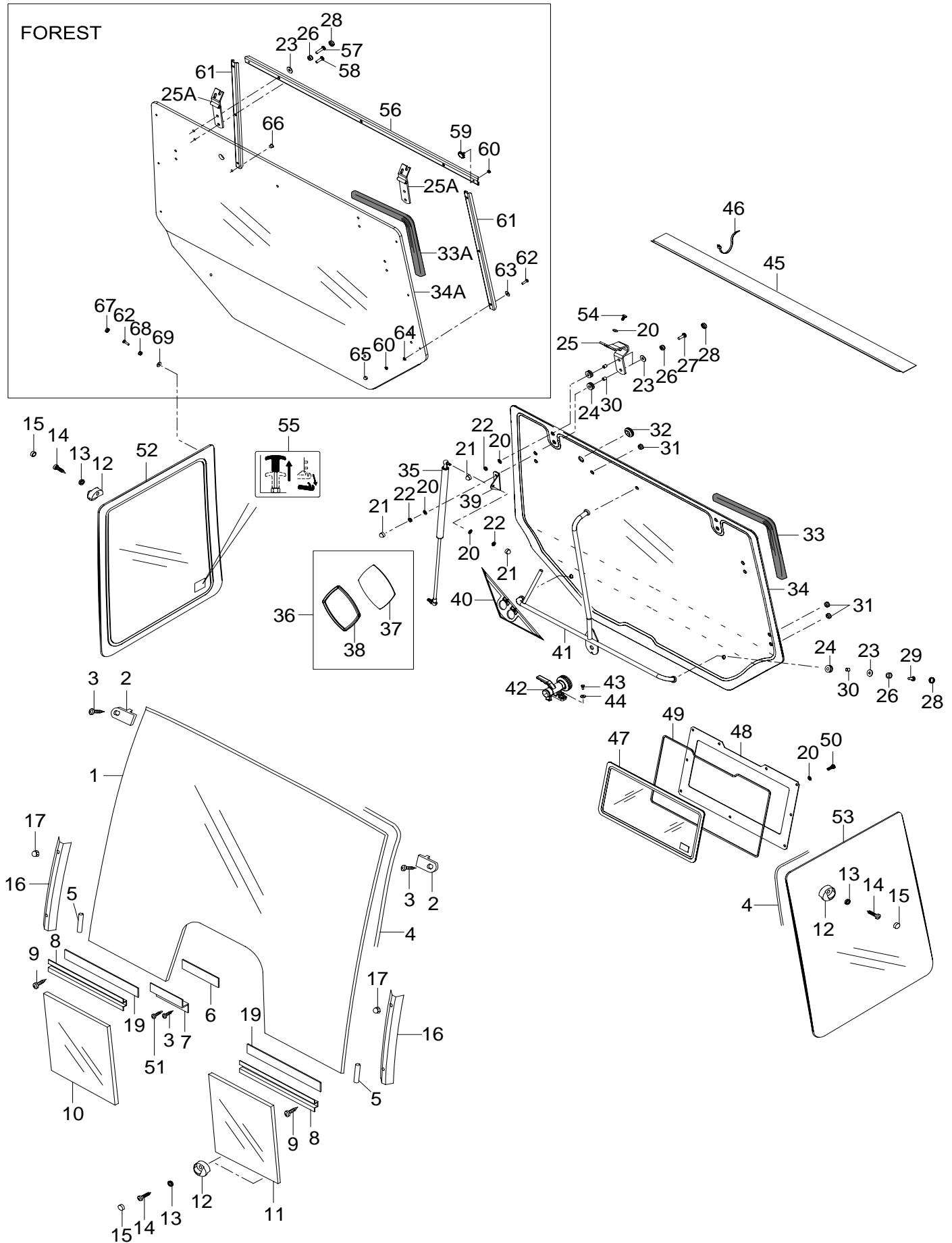


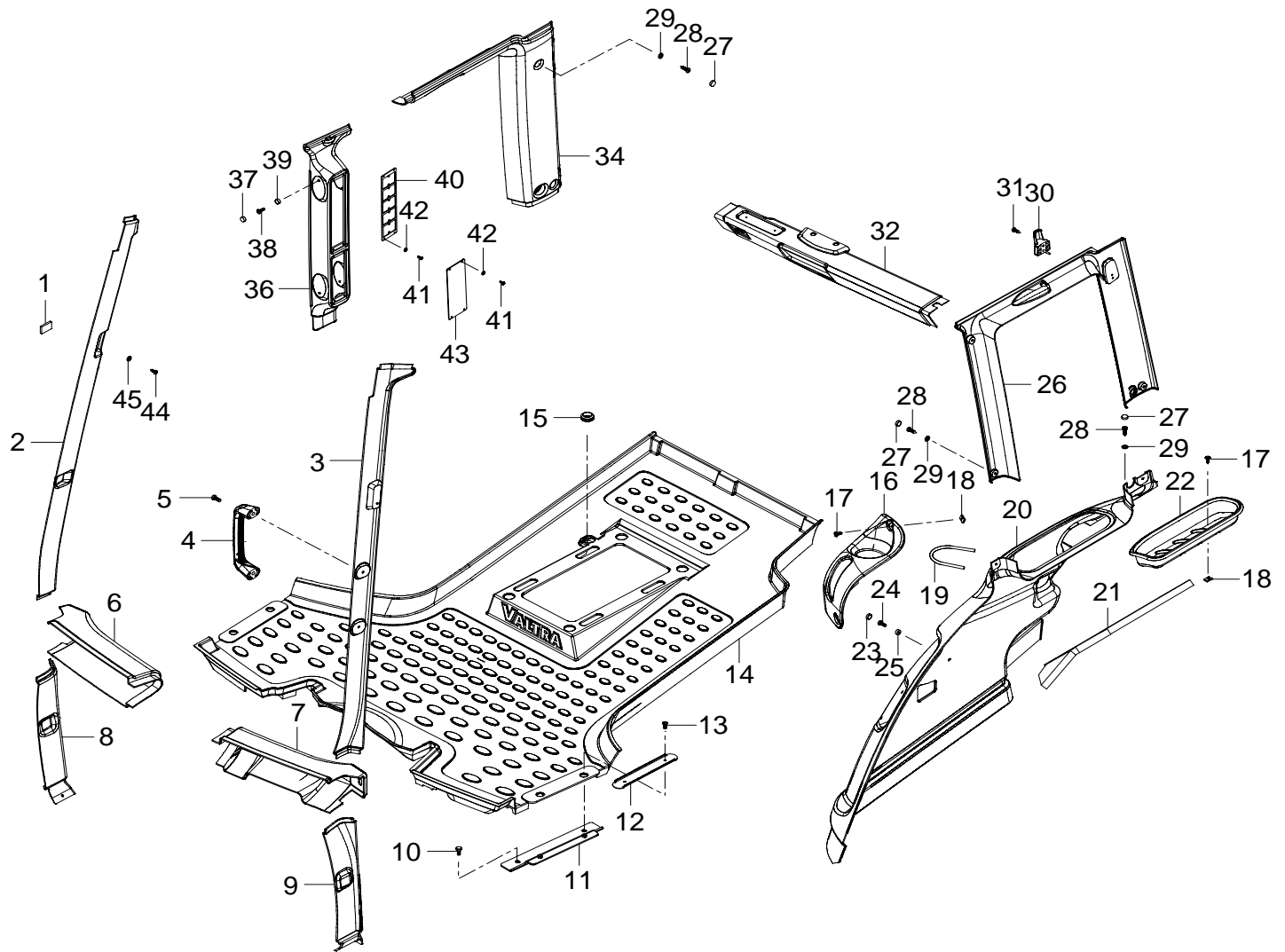


1.6.2007  
 T121c, T121h, T131c, T131h,  
 T151eh, T151eLS, T161c, T161h,  
 T161LS, T171c, T171h, T171LS,  
 T191h, T191LS

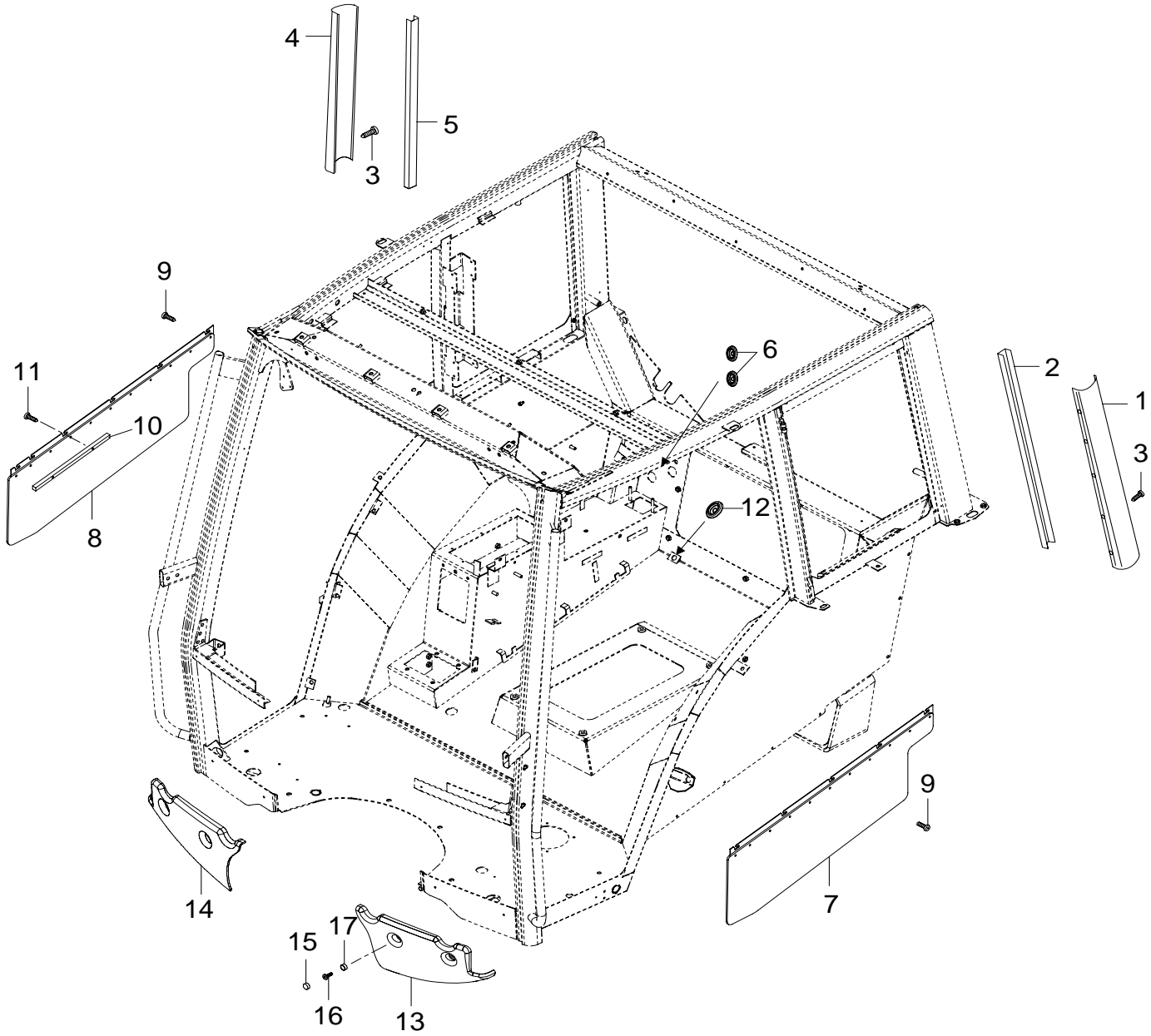


FOREST

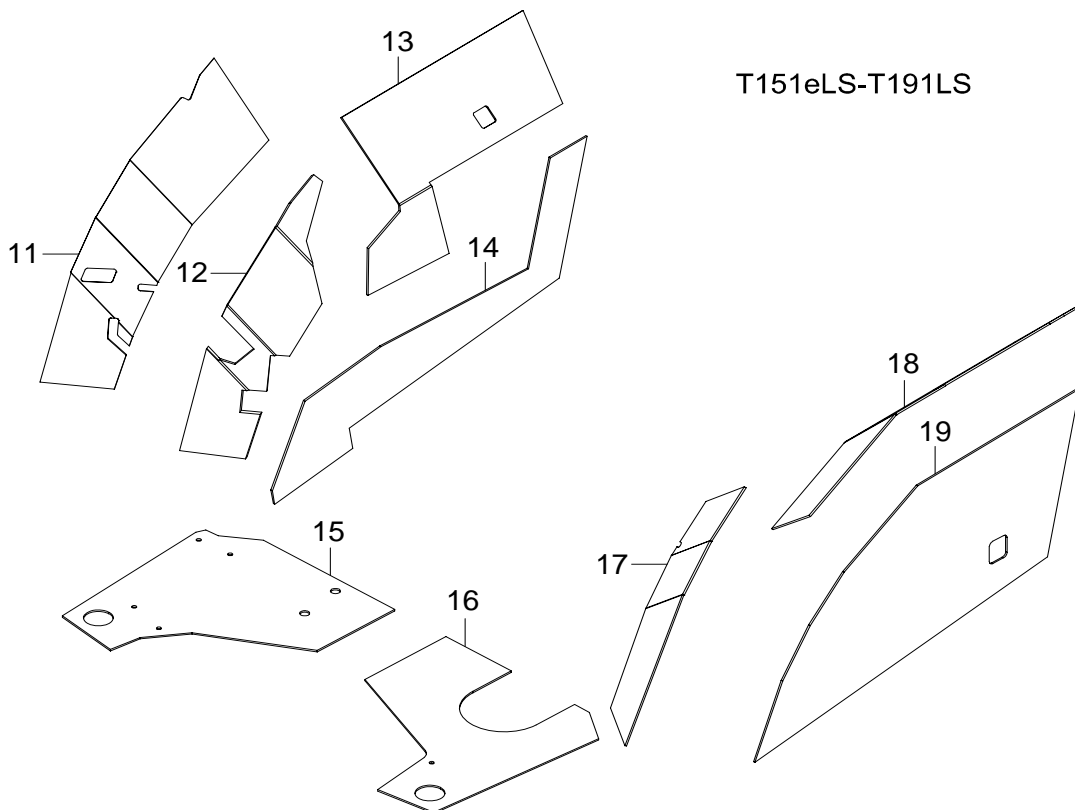
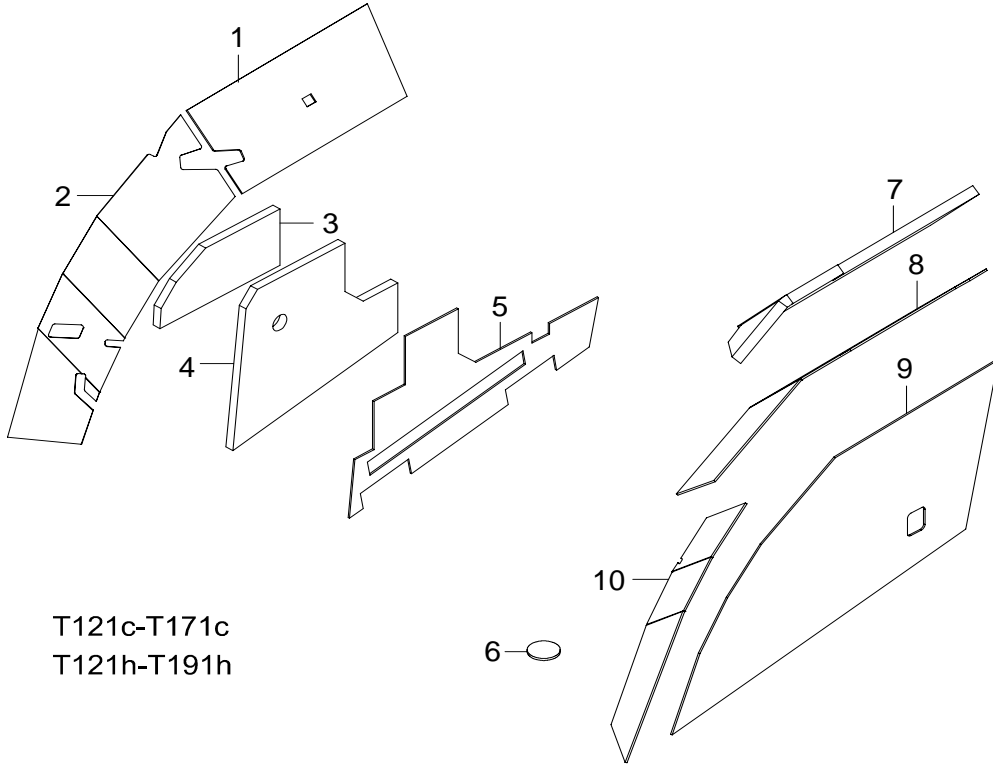




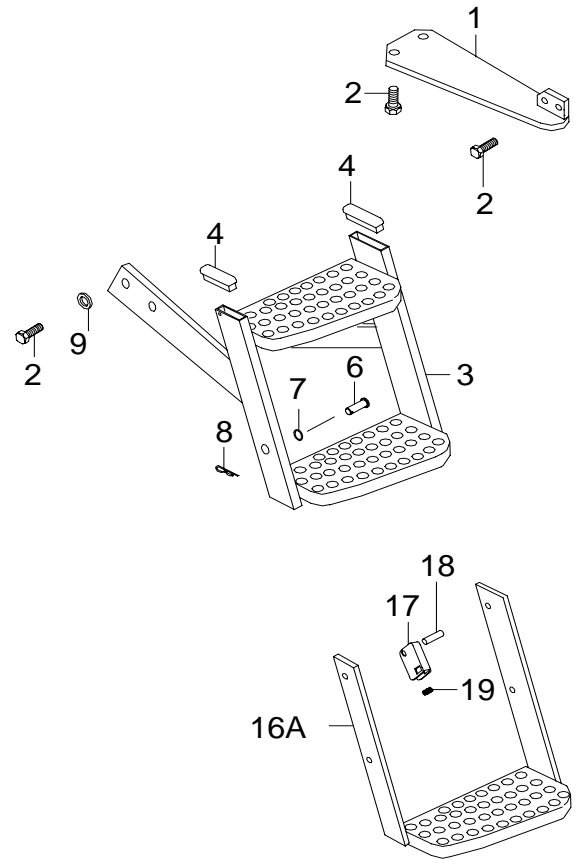
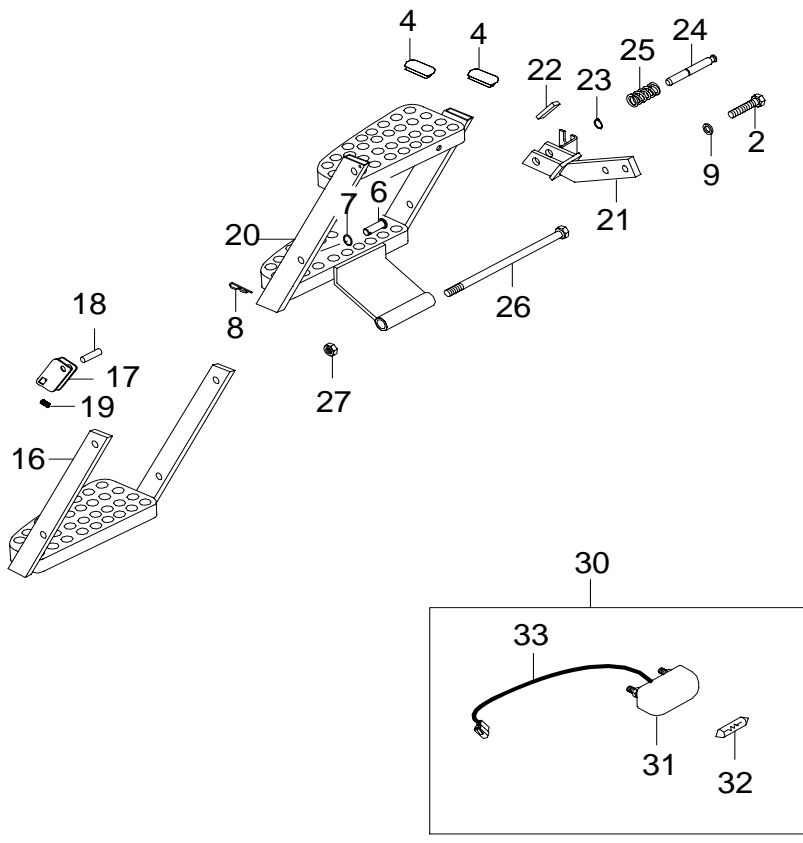


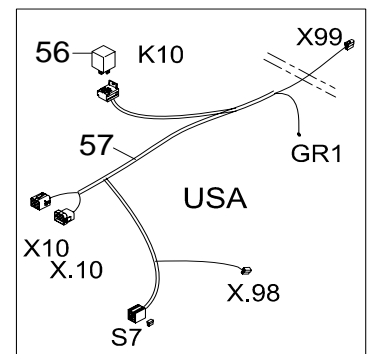
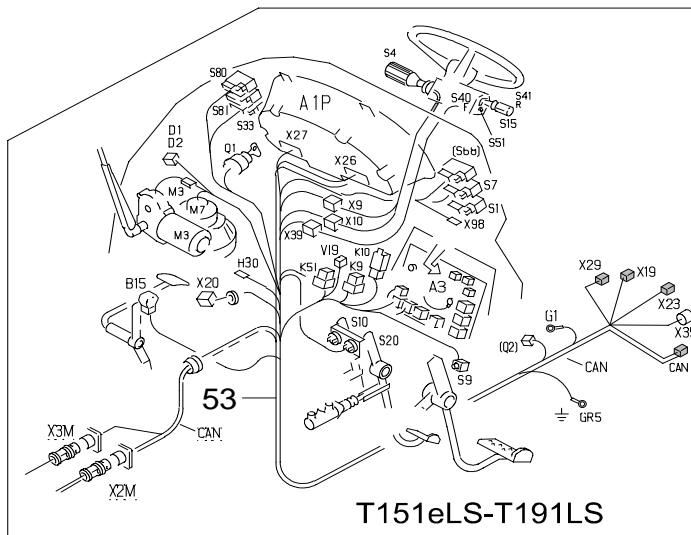
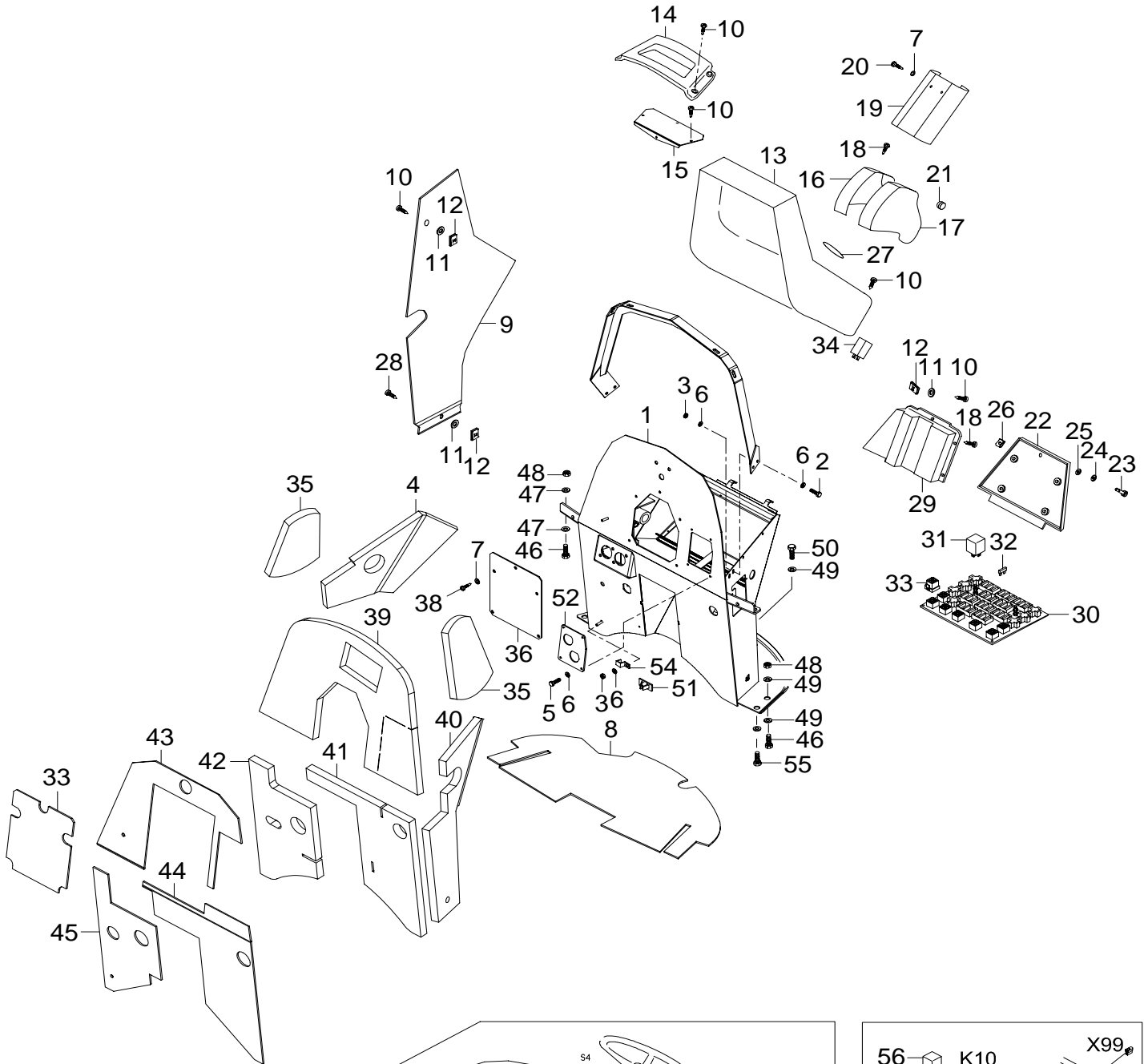


1.6.2007

T121c, T121h, T131c, T131h,  
T151eh, T151eLS, T161c, T161h,  
T161LS, T171c, T171h, T171LS,  
T191h, T191LS

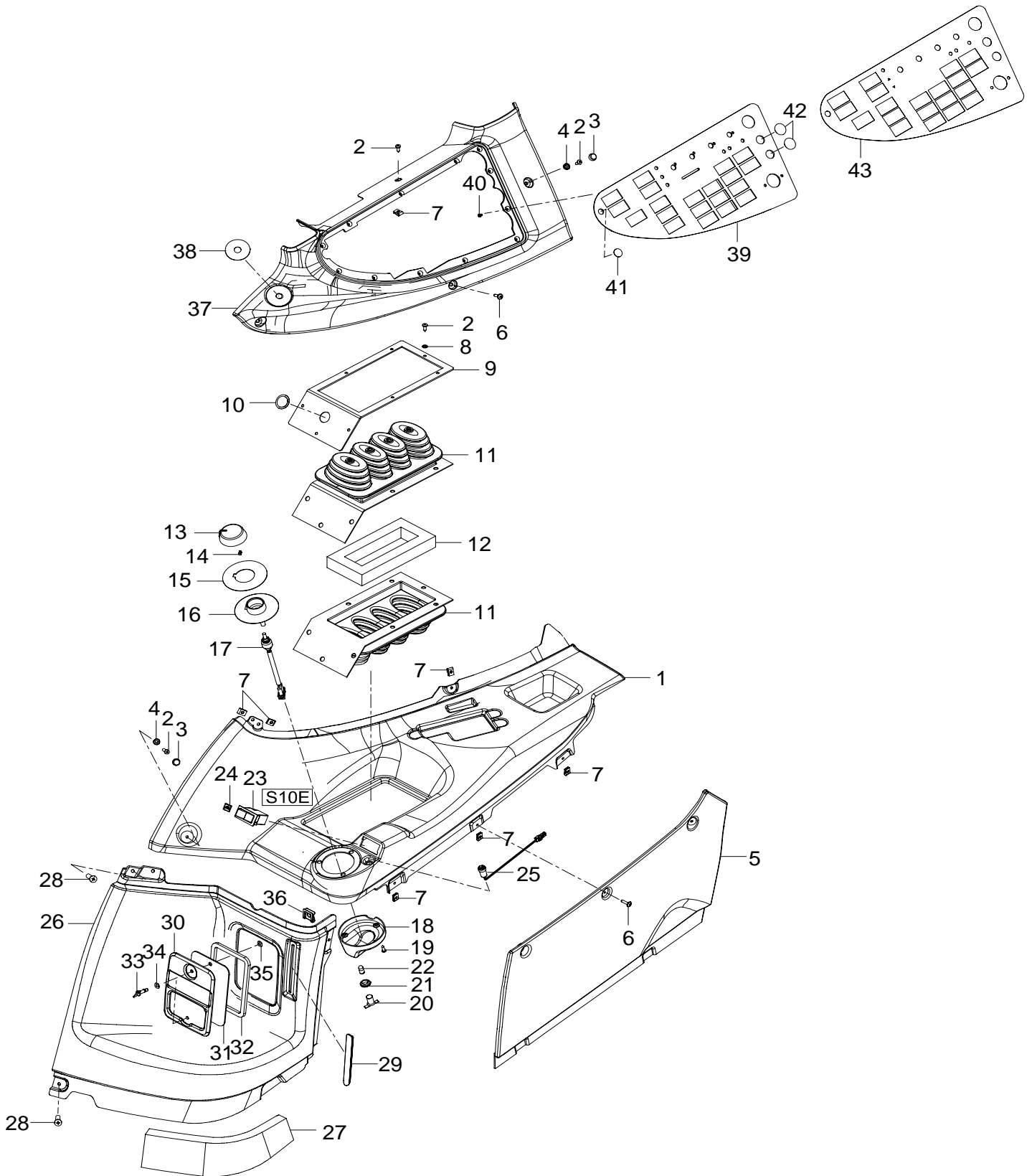
1.6.2007  
 T121c, T121h, T131c, T131h,  
 T151eh, T151eLS, T161c, T161h,  
 T161LS, T171c, T171h, T171LS,  
 T191h, T191LS



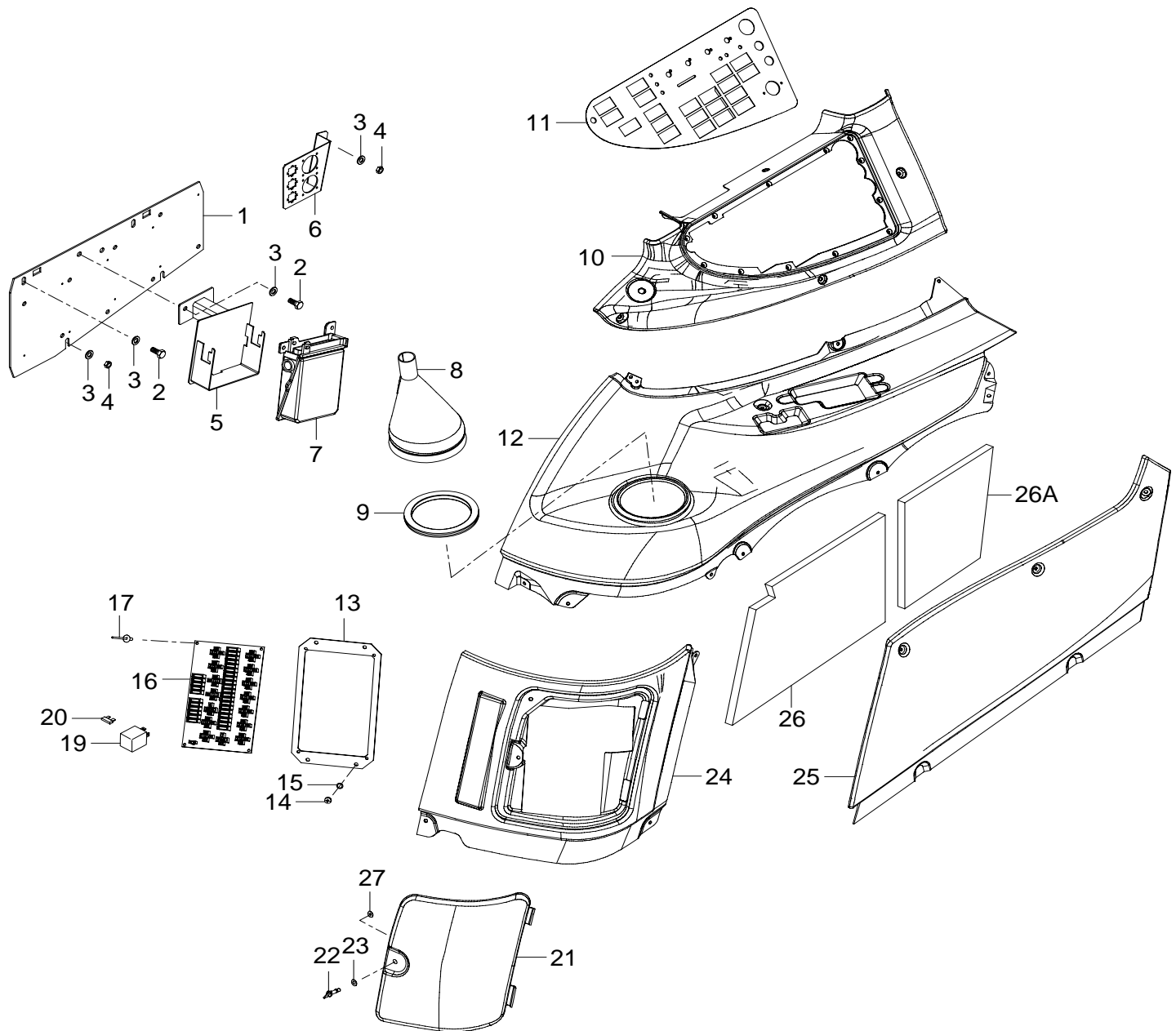


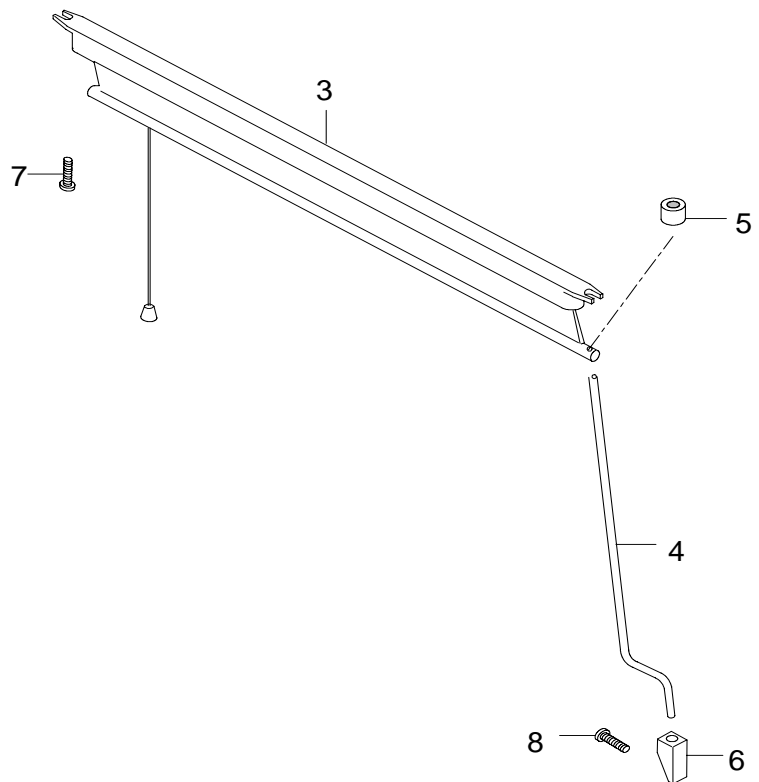
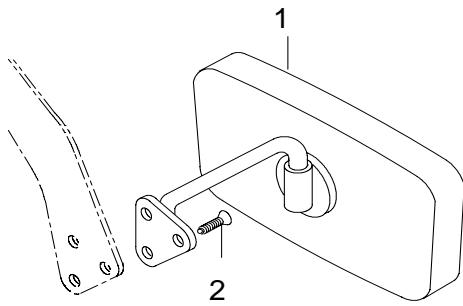
1.6.2007

T121c, T121h, T131c, T131h,  
T151eh, T161c, T161h, T171c,  
T171h, T191h

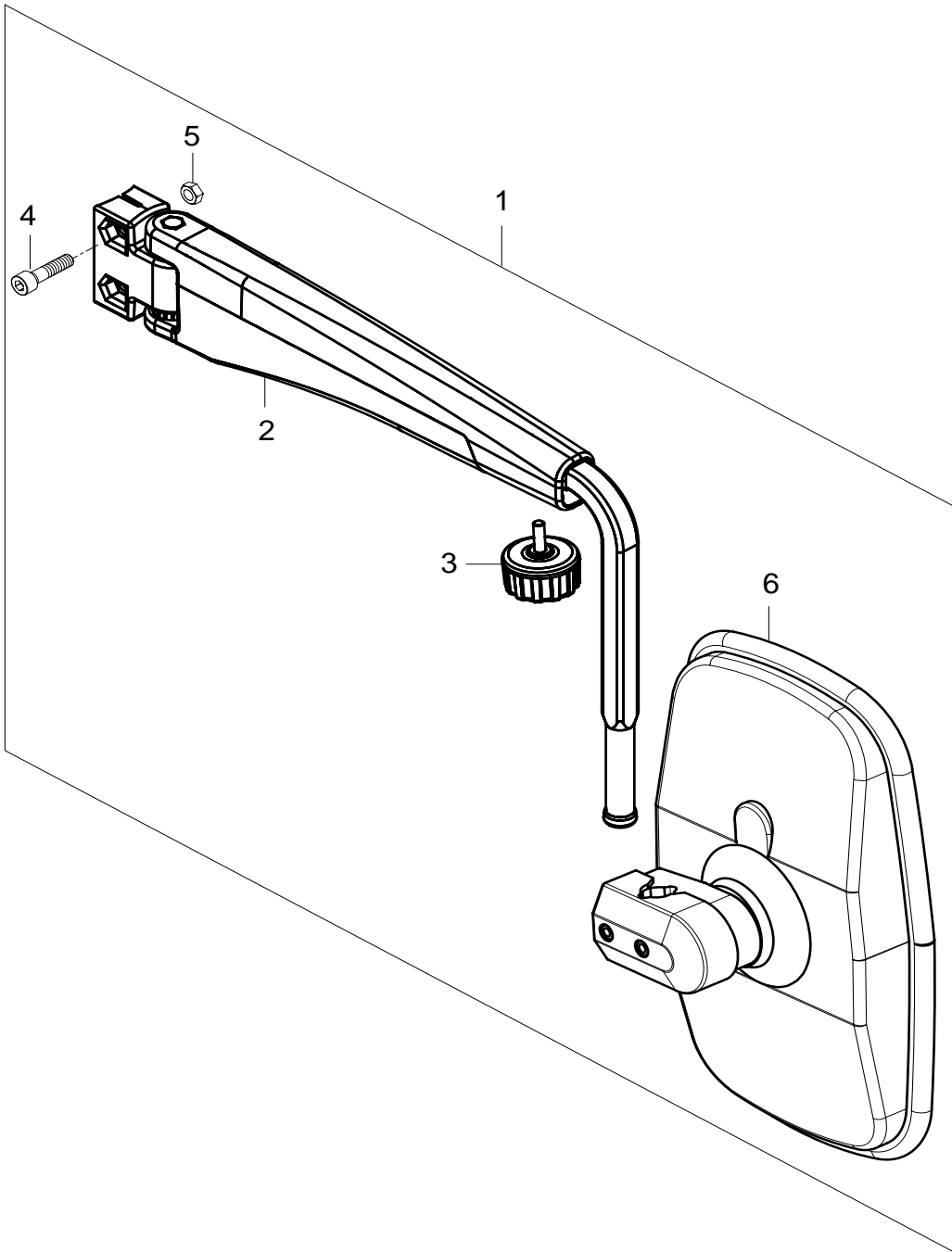


1.6.2007

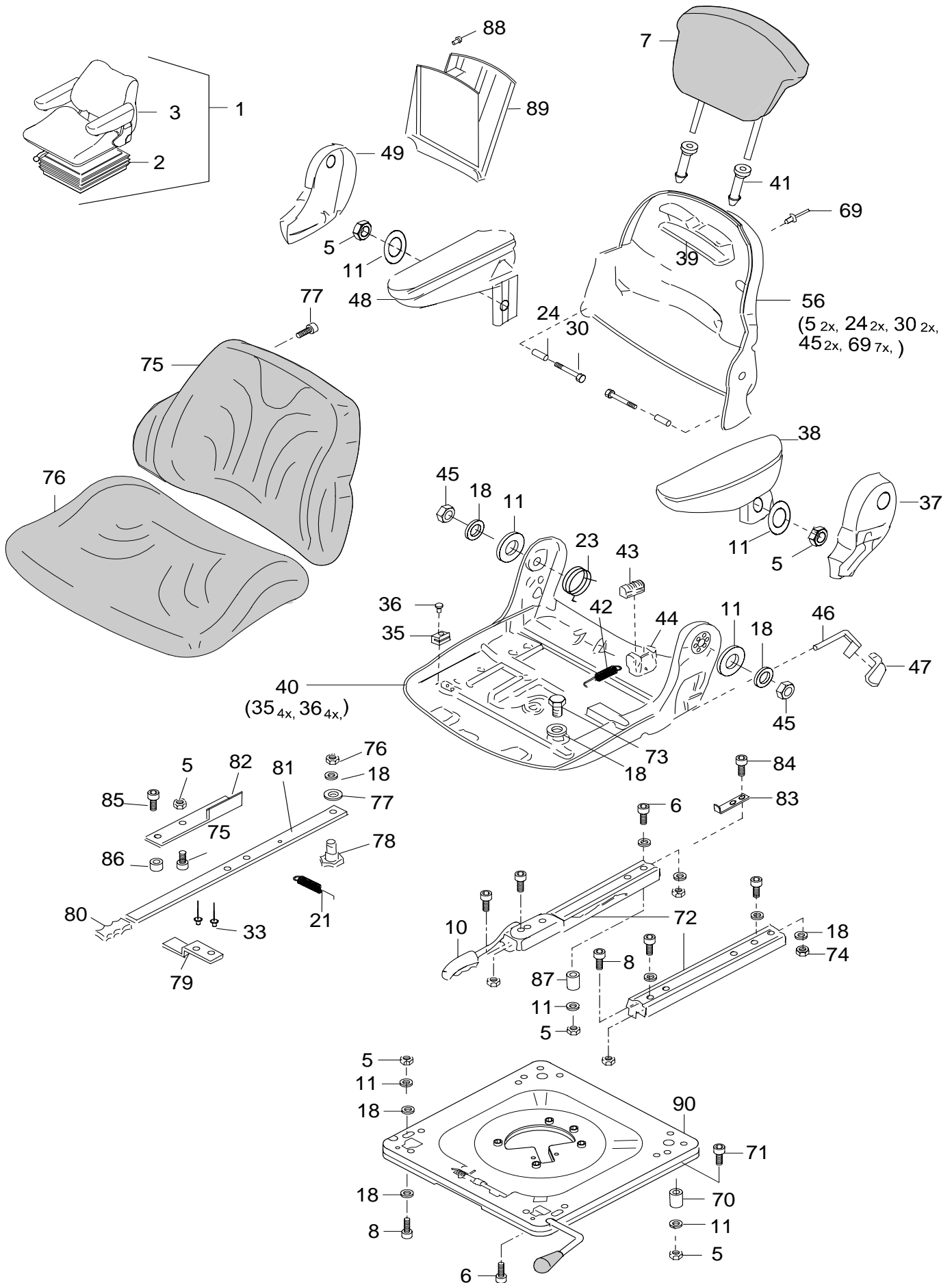
T151eLS, T161LS, T171LS,  
T191LS

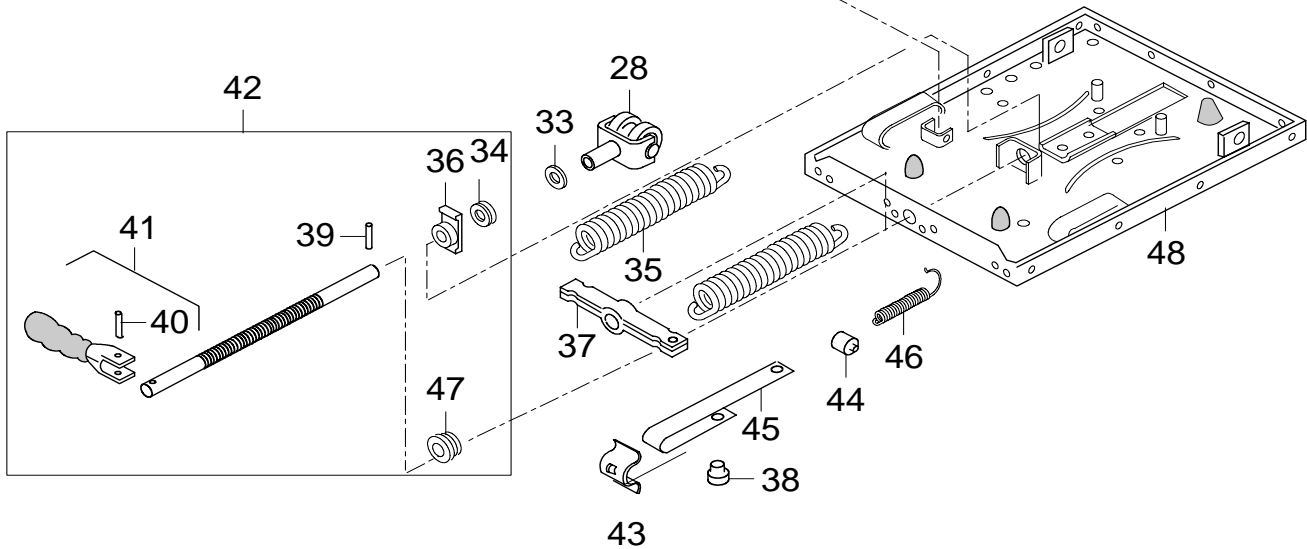
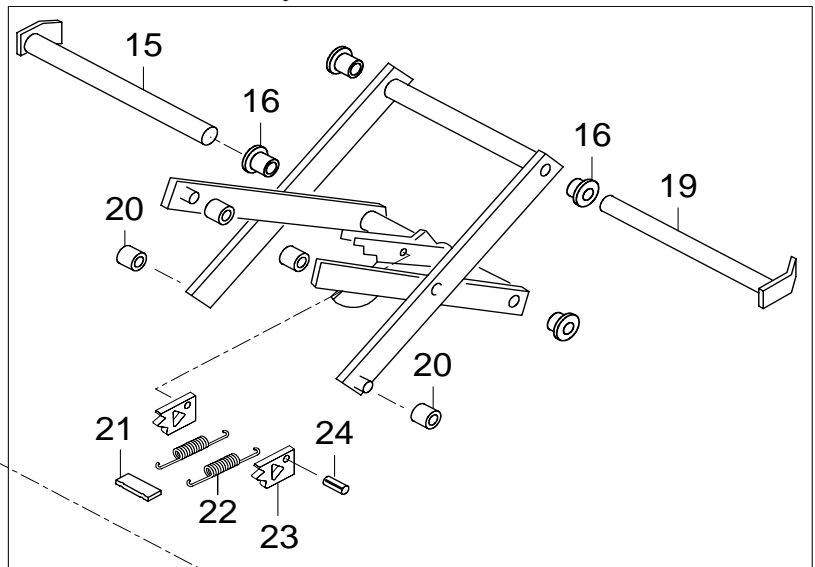
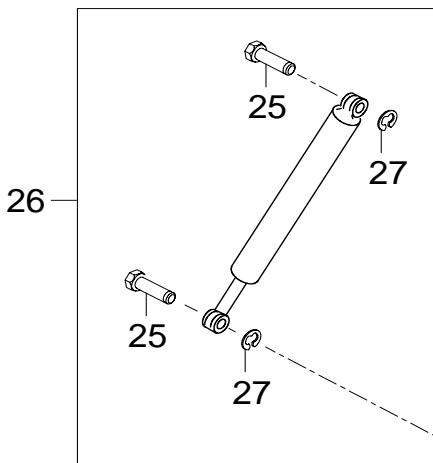
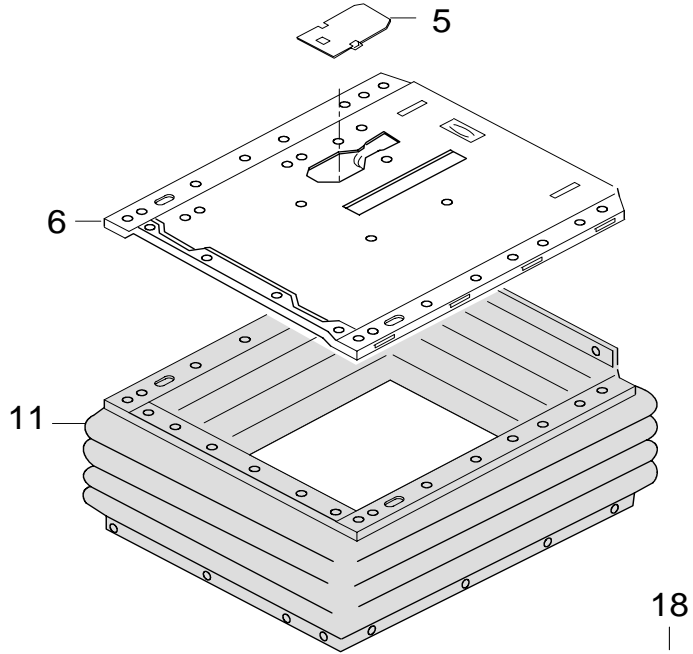


1.6.2007

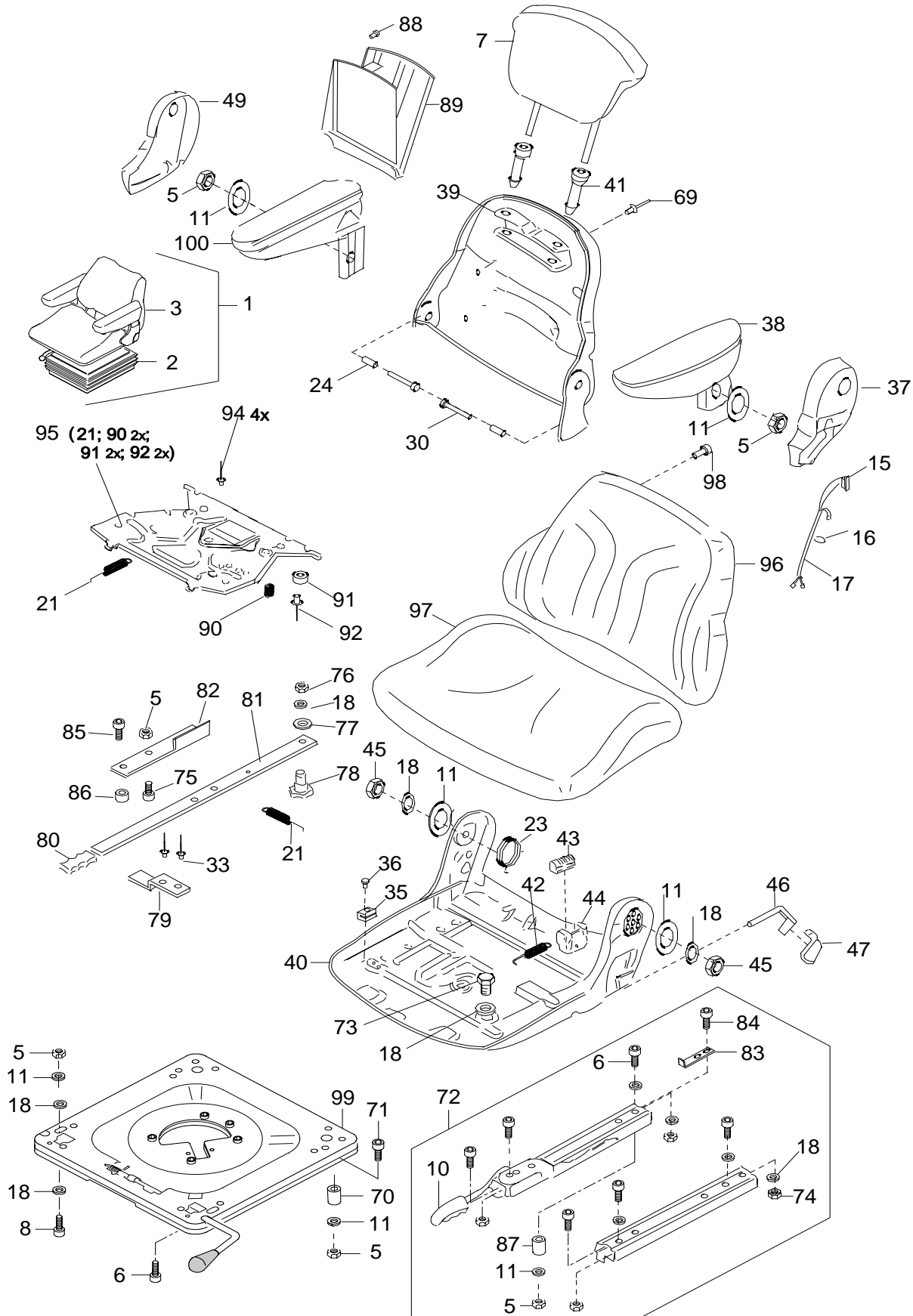
T121c, T121h, T131c, T131h,  
T151eh, T151eLS, T161c, T161h,  
T161LS, T171c, T171h, T171LS,  
T191h, T191LS



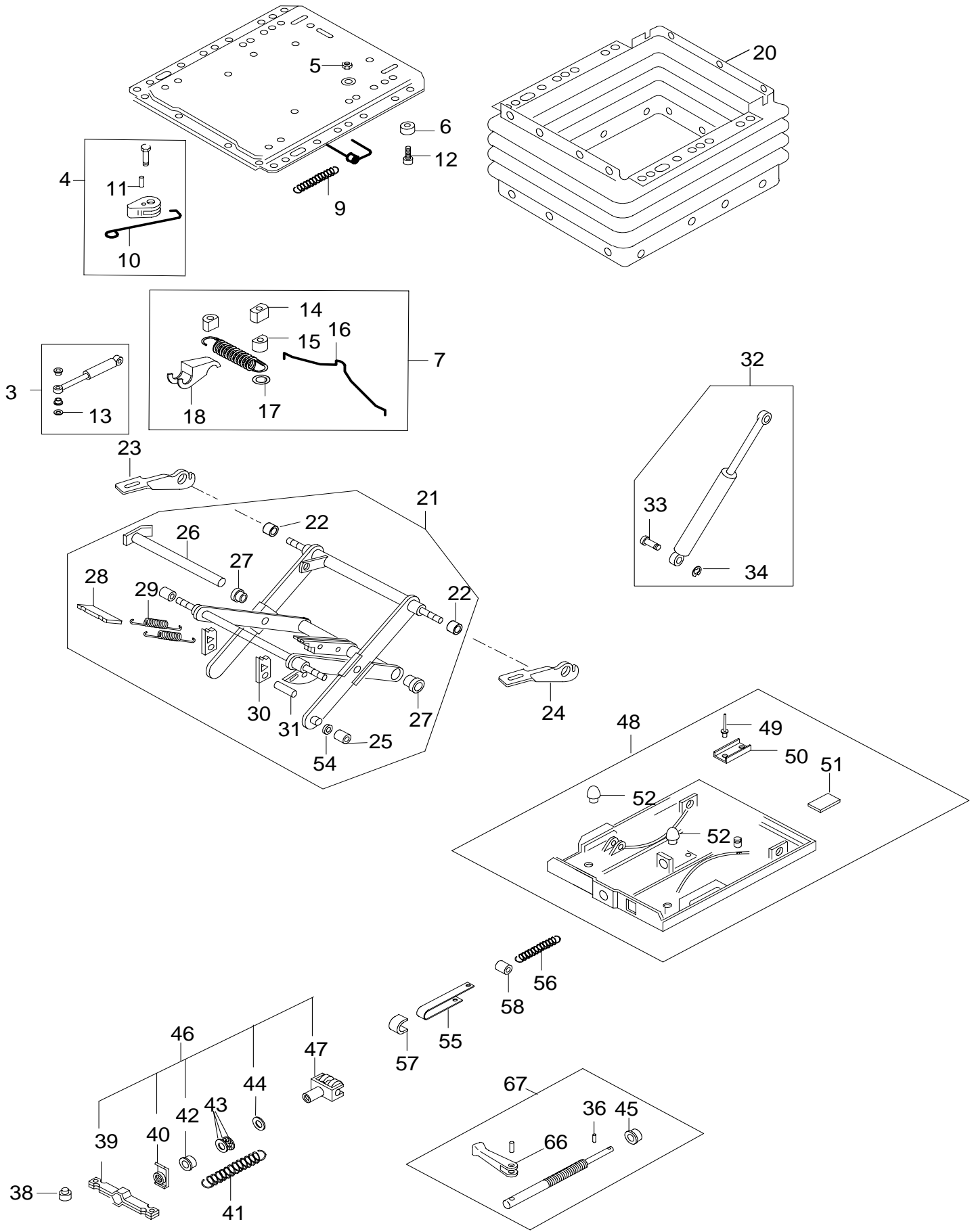




1.6.2007  
 T121h, T131h, T151eh, T151eLS,  
 T161h, T161LS, T171h, T171LS,  
 T191h, T191LS

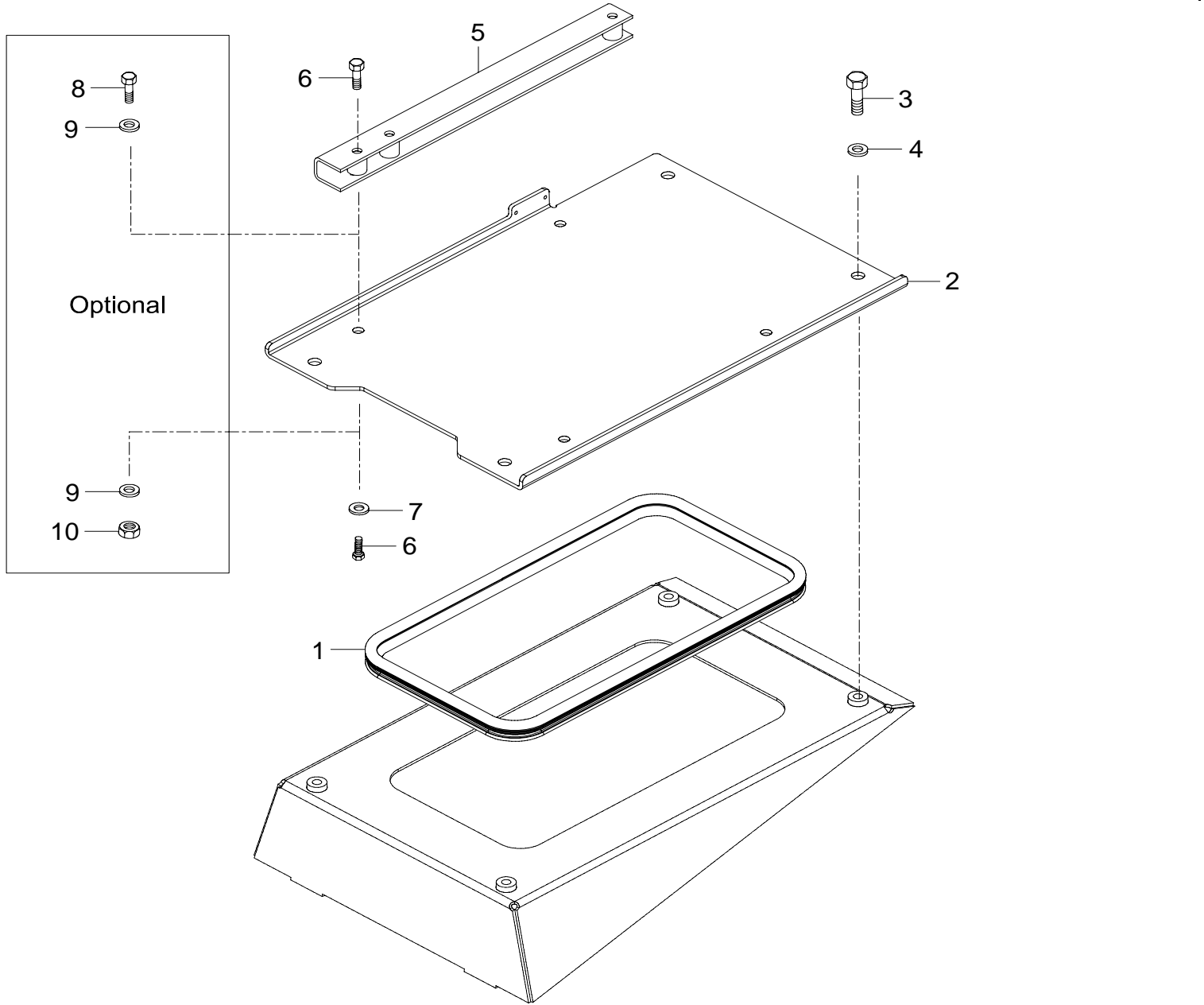


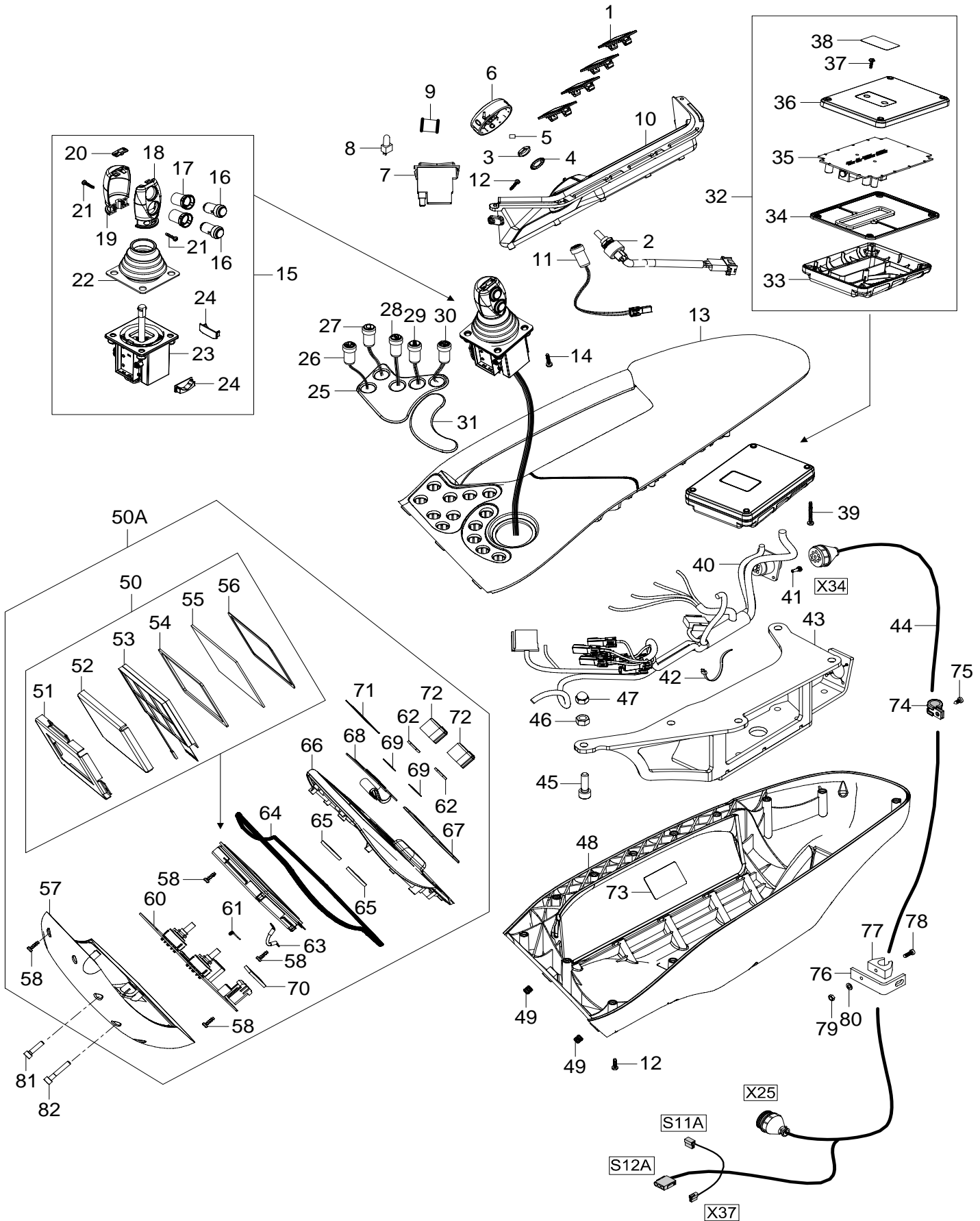
1.6.2007  
 T121h, T131h, T151eh, T151eLS,  
 T161h, T161LS, T171h, T171LS,  
 T191h, T191LS

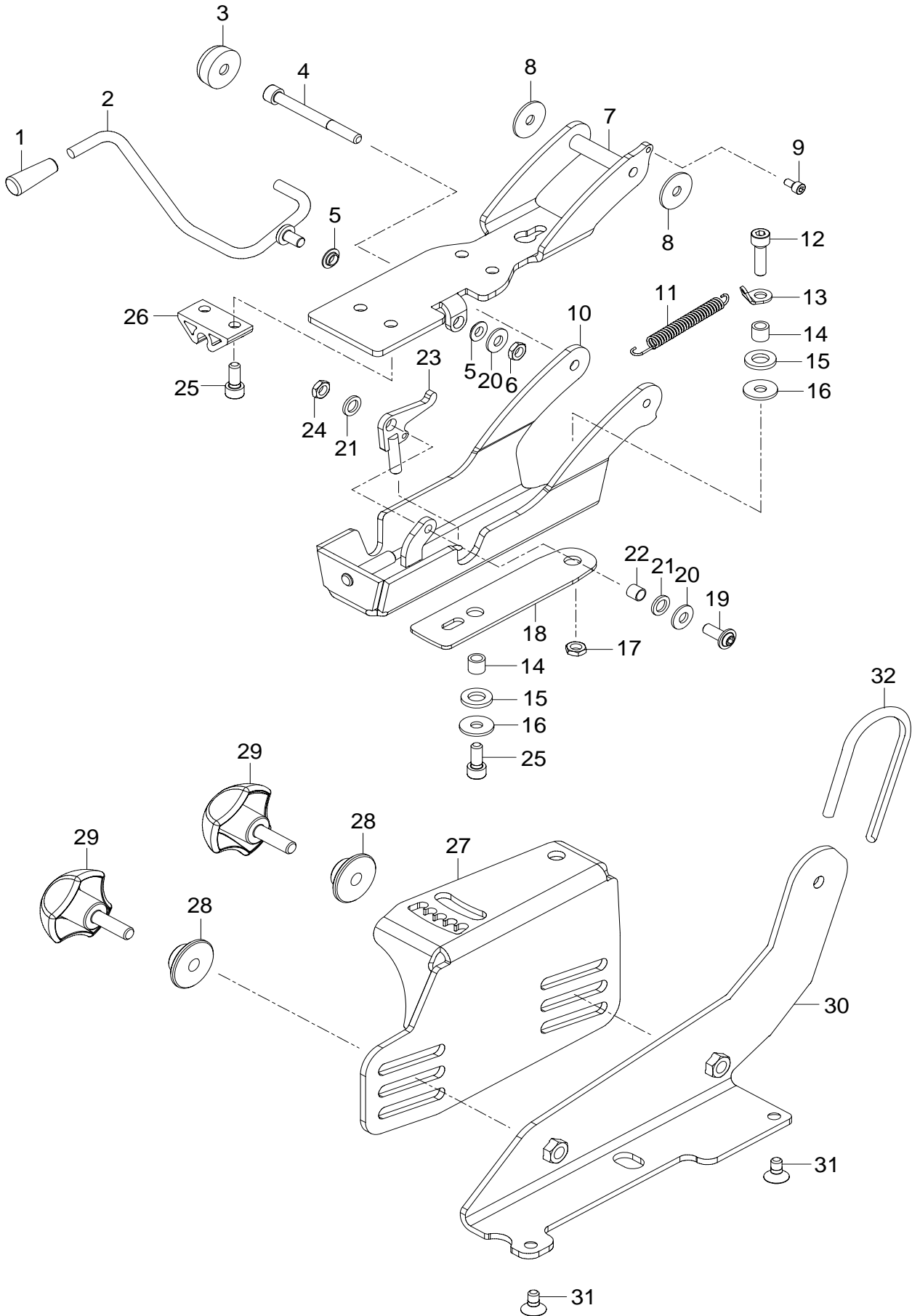


1.6.2007

T121c, T121h, T131c, T131h,  
T151eh, T151eLS, T161c, T161h,  
T161LS, T171c, T171h, T171LS,  
T191h, T191LS

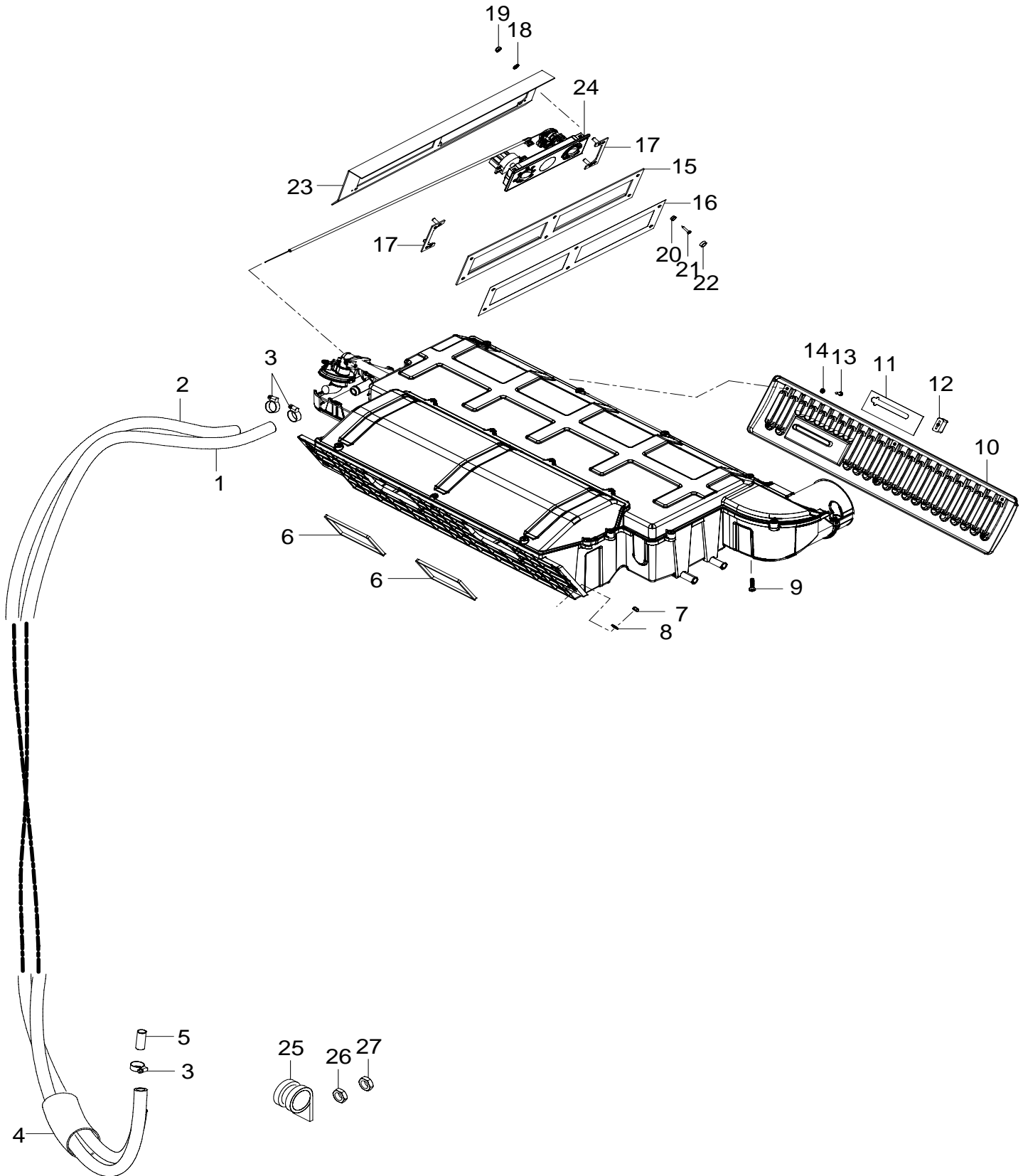






1.6.2007

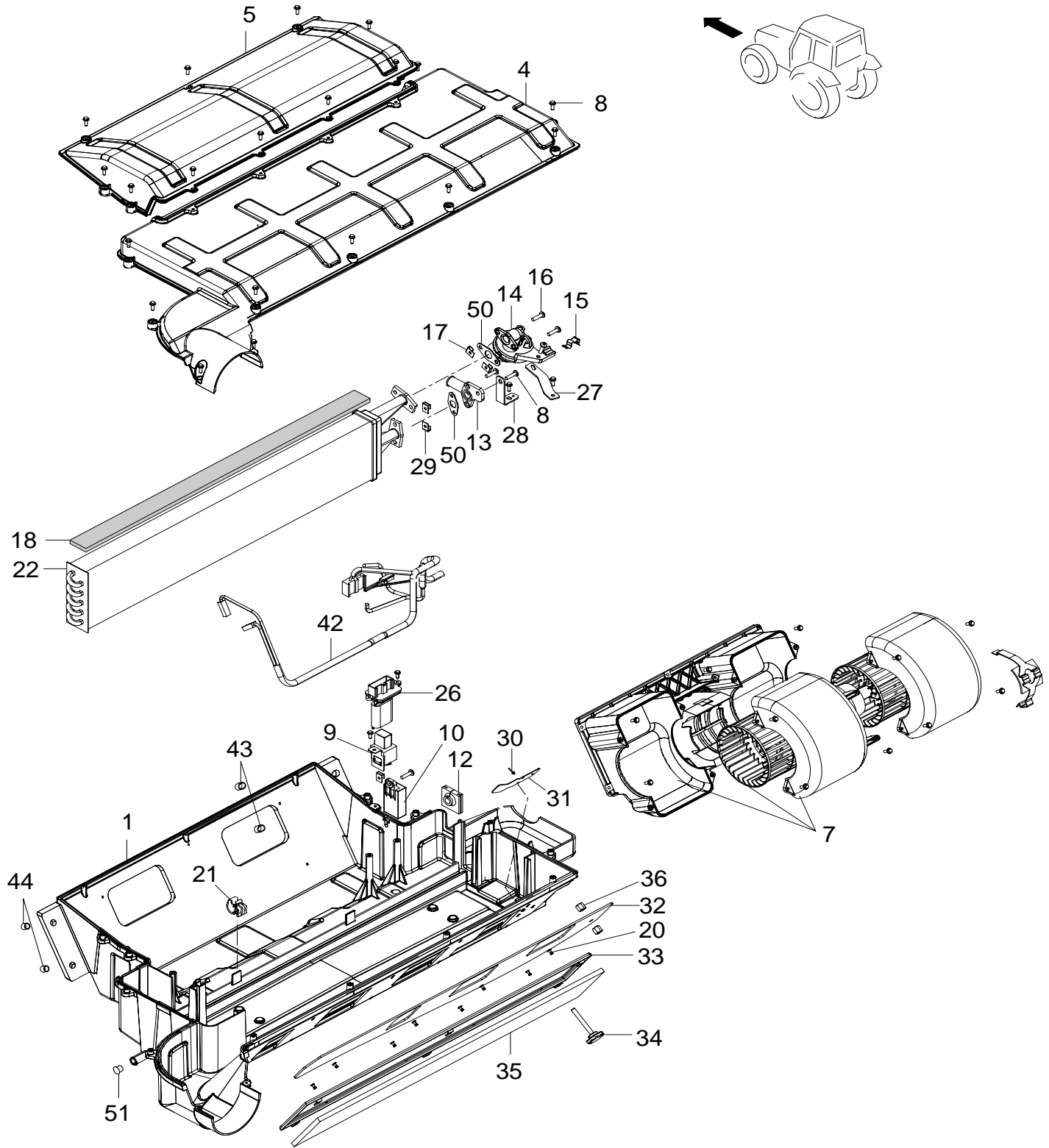
T121c, T121h, T131c, T131h,  
T151eh, T151eLS, T161c, T161h,  
T161LS, T171c, T171h, T171LS,  
T191h, T191LS

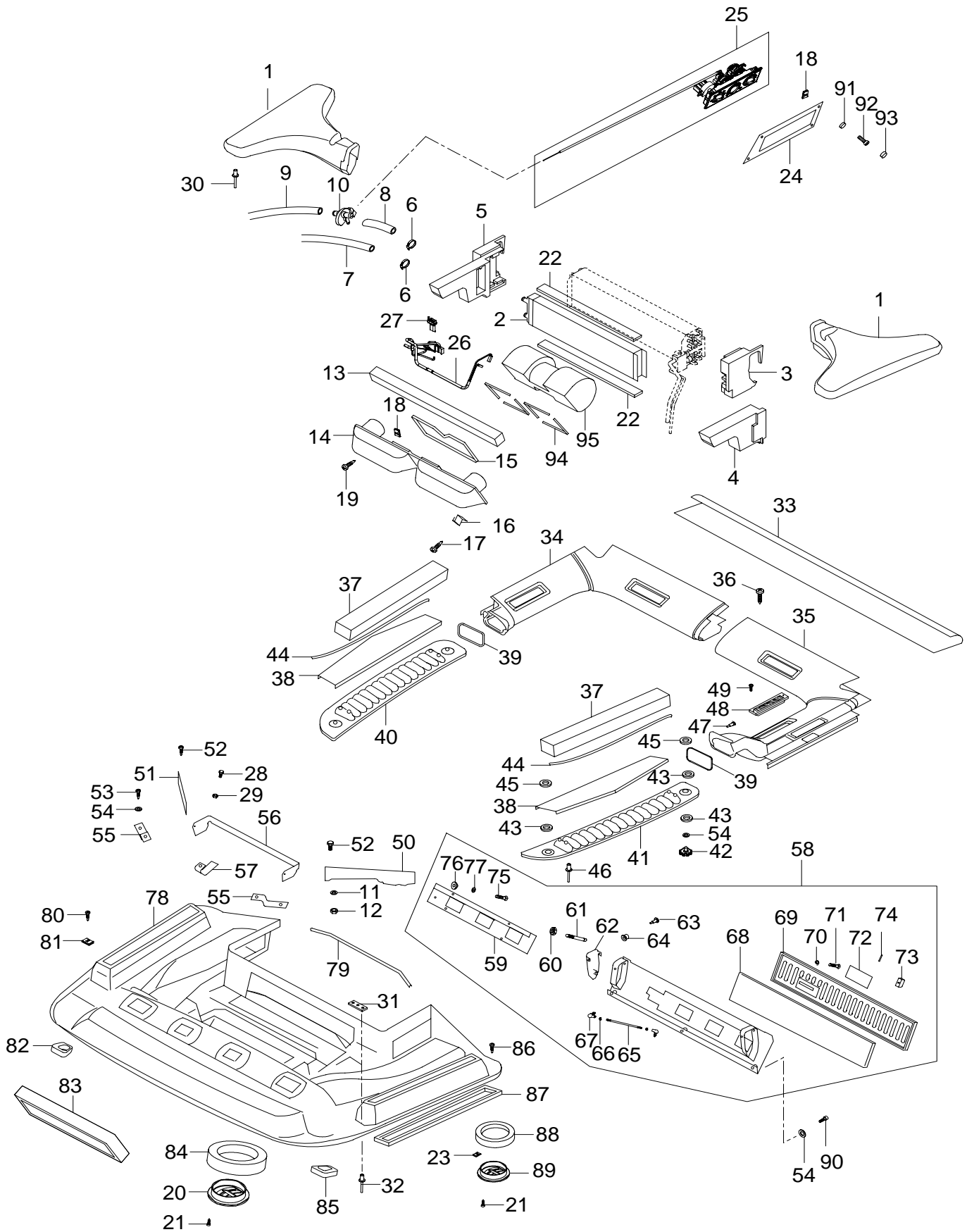




1.6.2007

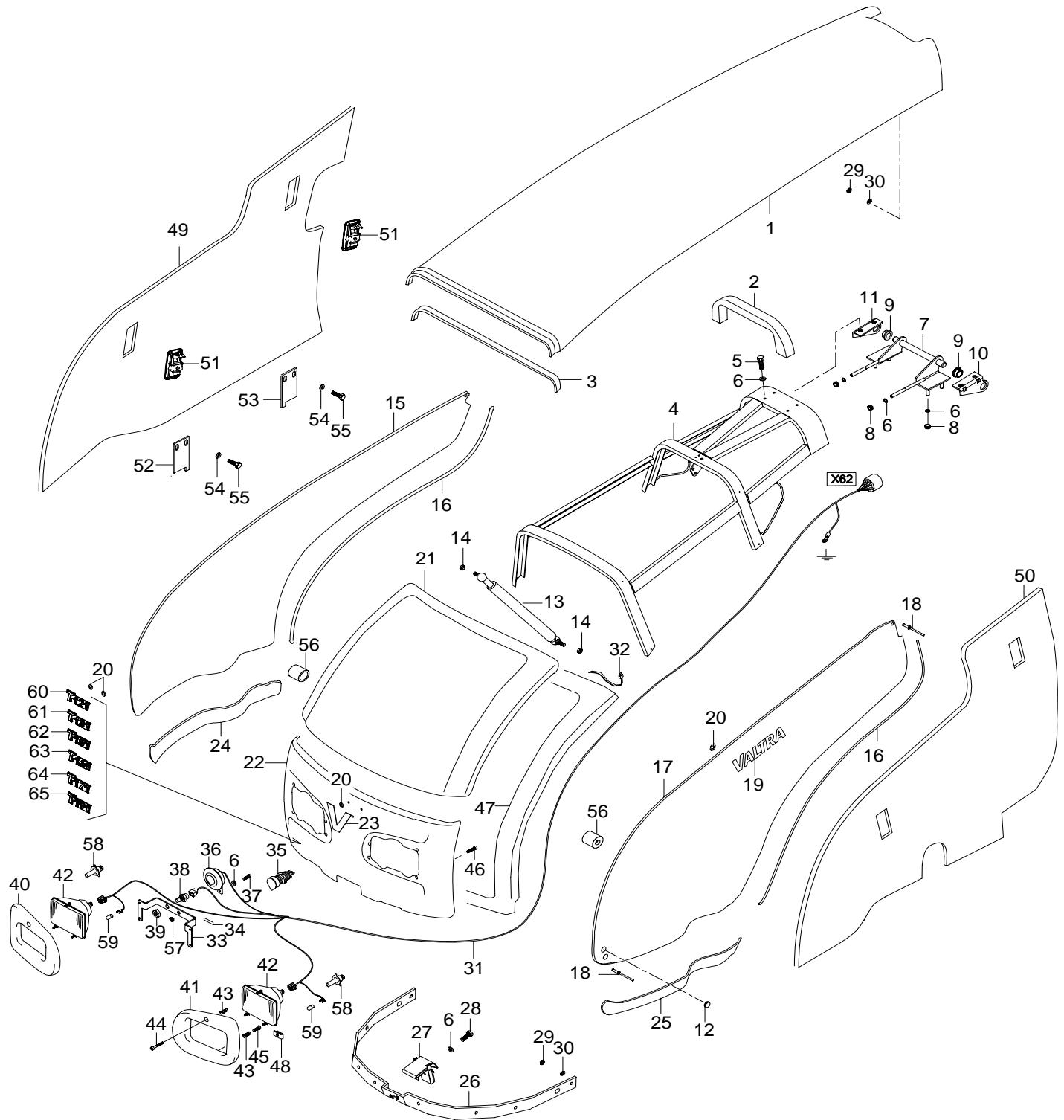
T121c, T121h, T131c, T131h,  
T151eh, T151eLS, T161c, T161h,  
T161LS, T171c, T171h, T171LS,  
T191h, T191LS



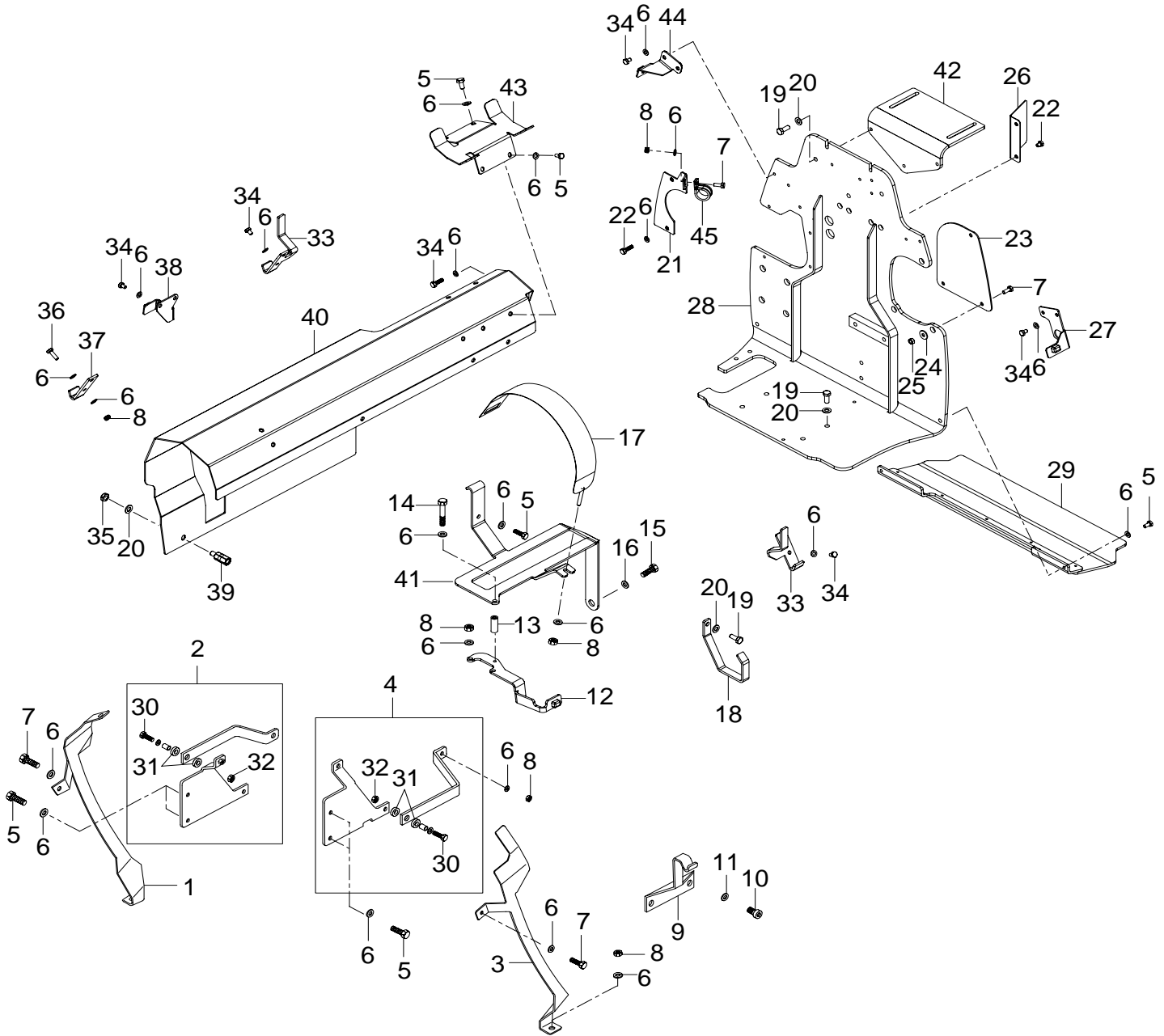


1.6.2007

T121c, T121h, T131c, T131h,  
T151eh, T151eLS, T161c, T161h,  
T161LS, T171c, T171h, T171LS,  
T191h, T191LS



1.6.2007  
 T121c, T121h, T131c, T131h,  
 T151eh, T151eLS, T161c, T161h,  
 T161LS, T171c, T171h, T171LS,  
 T191h, T191LS



AKKUTELINE JA  
TYÖKALULAATIKKO

BATTERIHÅLLARE  
DCH  
VERKLYGSLÅDA

BATTERY CARRIER  
AND TOOL BOX

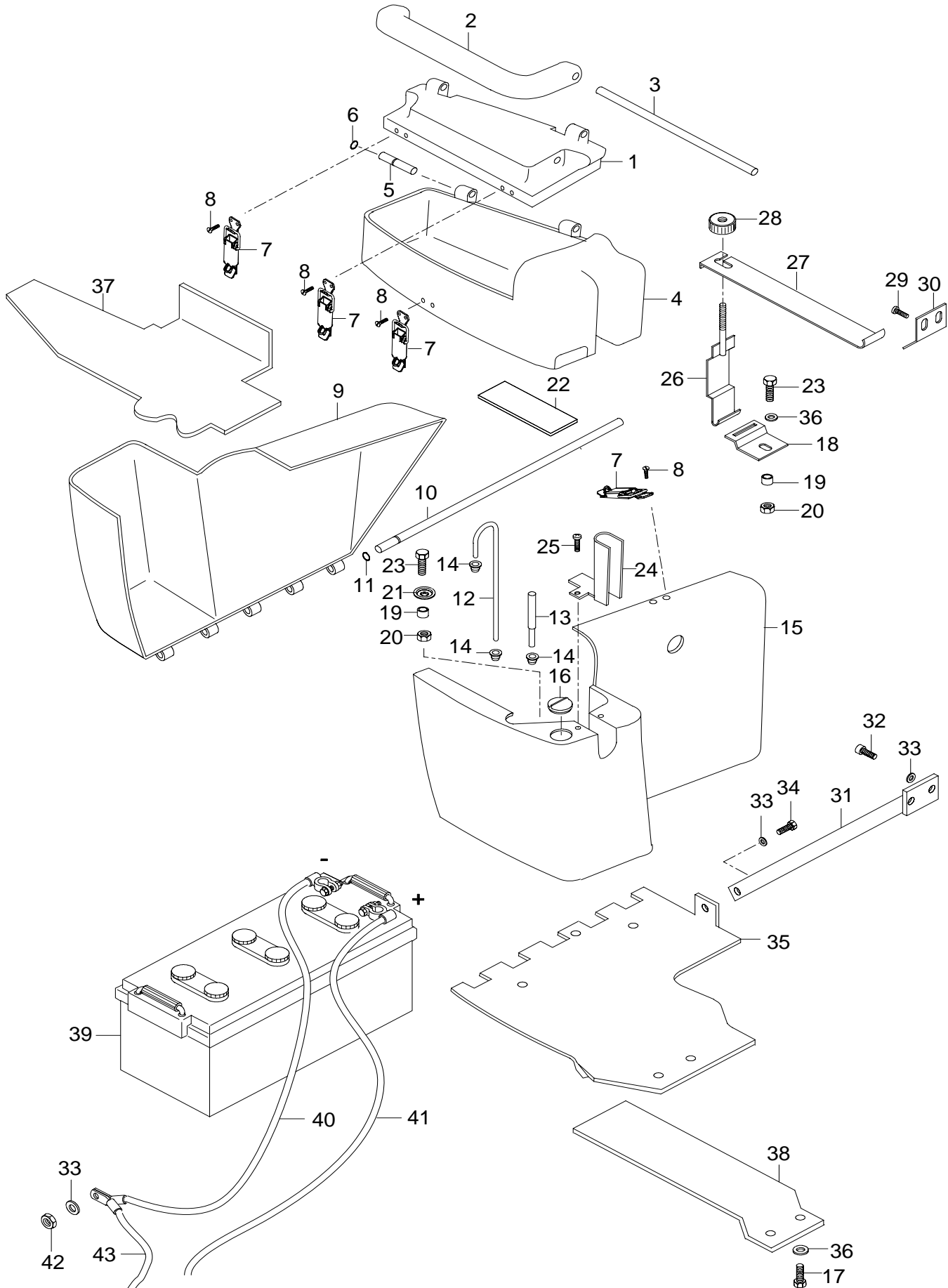
BATTERIETRÄGER  
UND  
WERKZEUGKASTEN

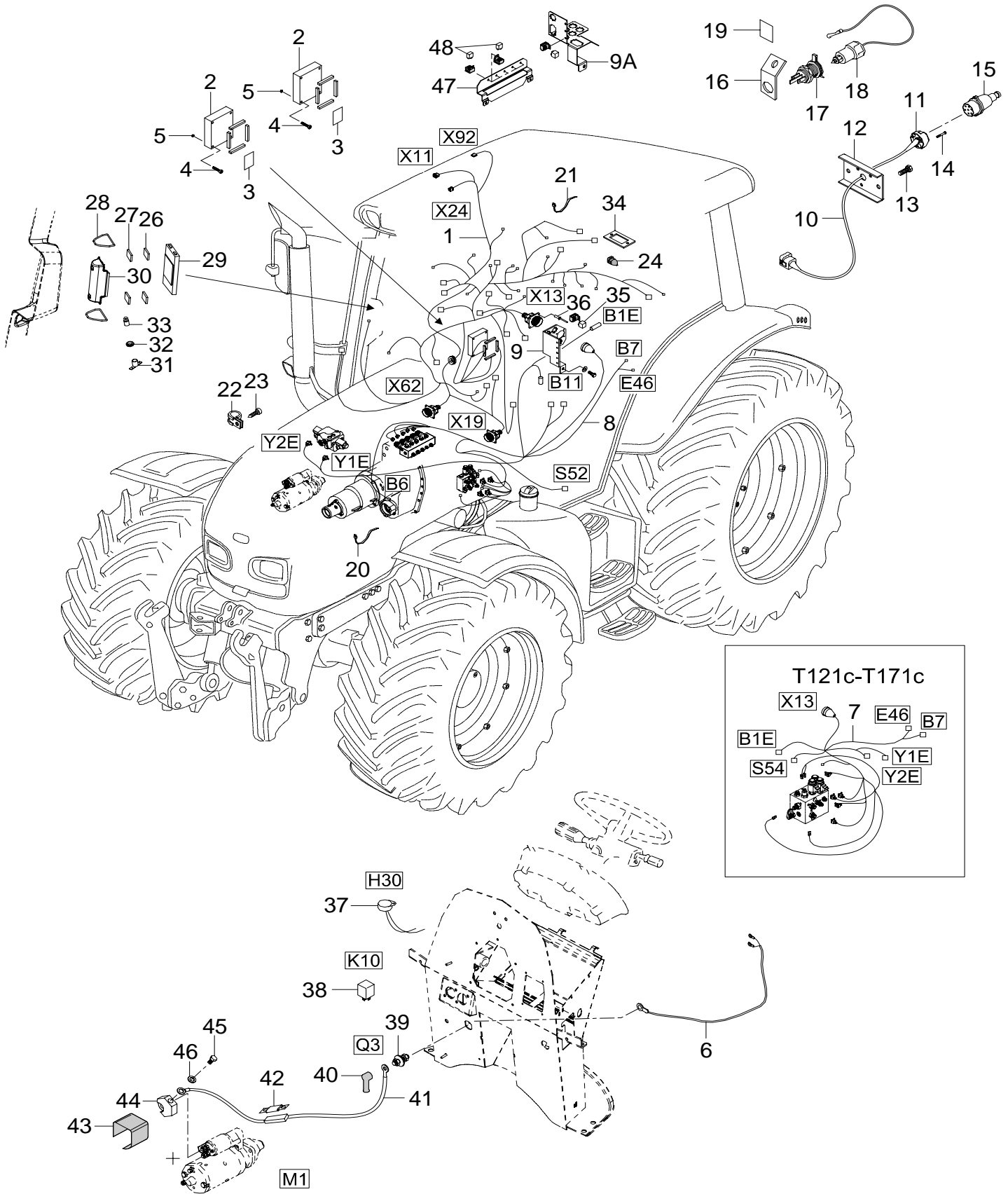
LOGEMENT DE  
BATTERIE ET BOITE  
À OUTILS

83-07

1.6.2007

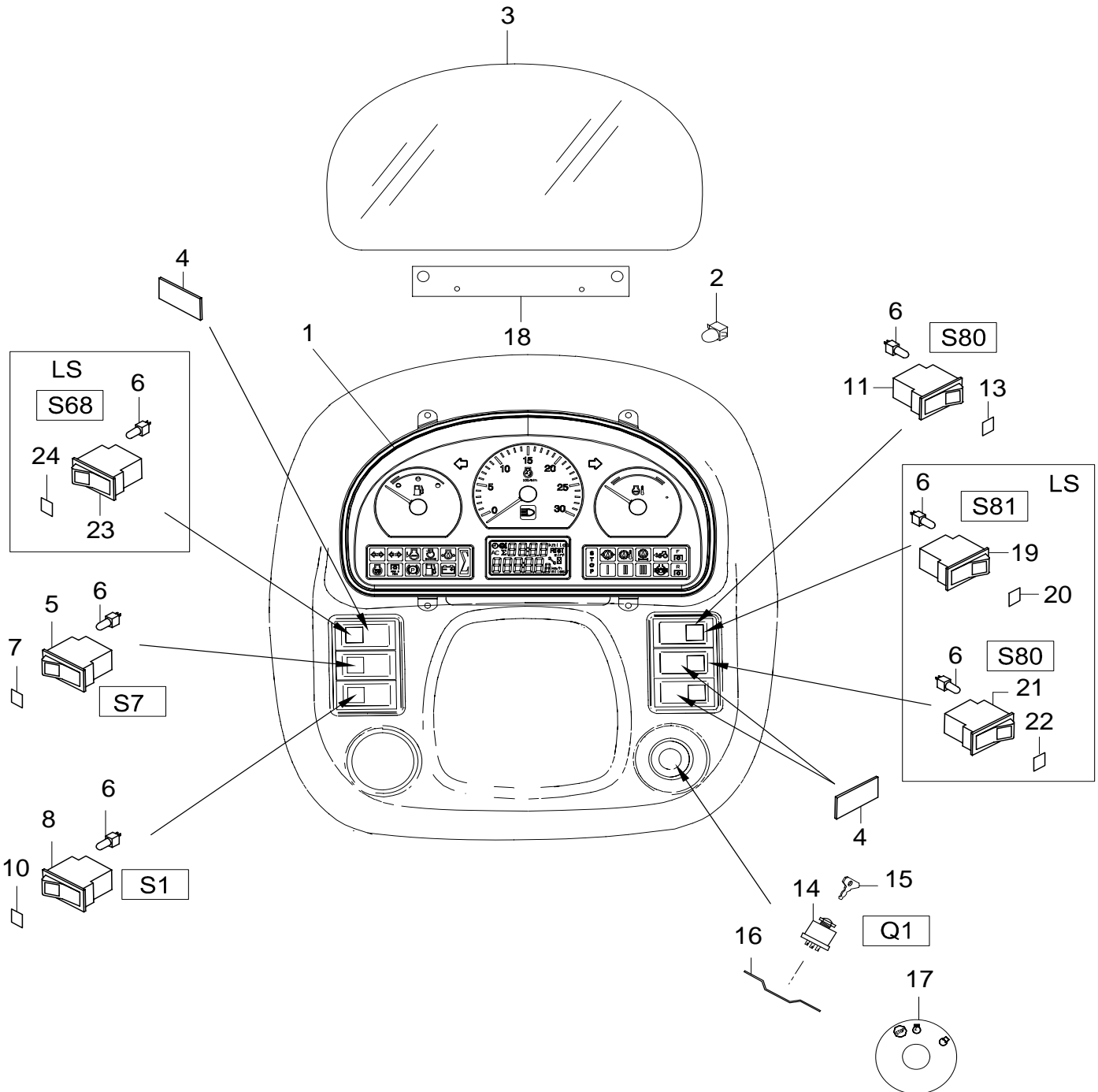
T121c, T121h, T131c, T131h,  
T151eh, T151eLS, T161c, T161h,  
T161LS, T171c, T171h, T171LS,  
T191h, T191LS





1.6.2007

T121c, T121h, T131c, T131h,  
T151eh, T151eLS, T161c, T161h,  
T161LS, T171c, T171h, T171LS,  
T191h, T191LS



SUUNNANVAIHTO-  
VIPU JA  
KOMBIKYTKIN

FRAM-  
BACKVÄXELSPAK  
OCH KOMBI-  
STRÖMSTÄLLARE

F-R SHUTTLE LEVER  
AND COMBINED  
SWITCH

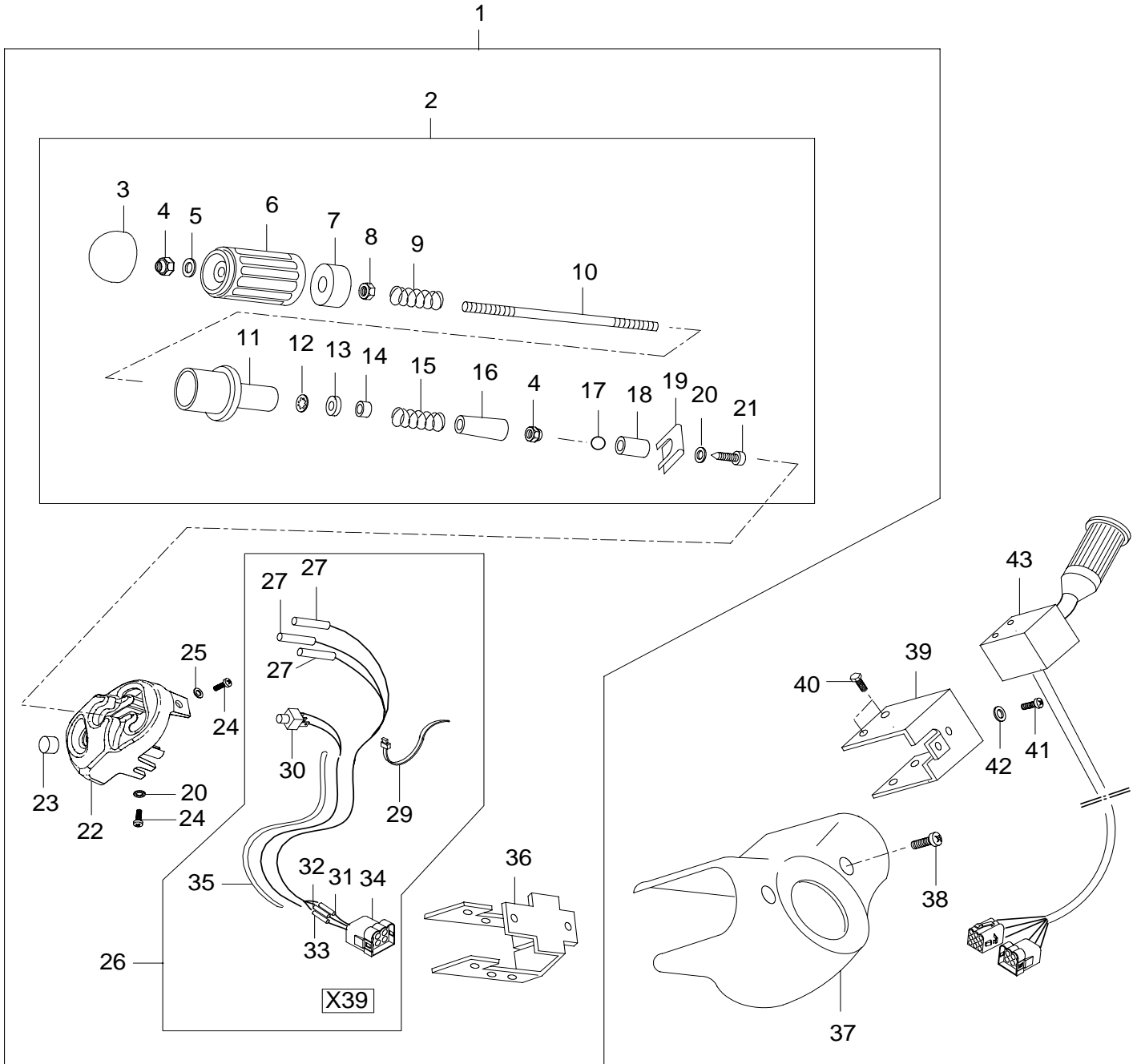
WENDEGETRIEBE-  
HEBEL UND COMBI  
SCHALTER

LEVIER D'INVERSEUR  
ET INTERRUPTEUR  
COMBINÉ

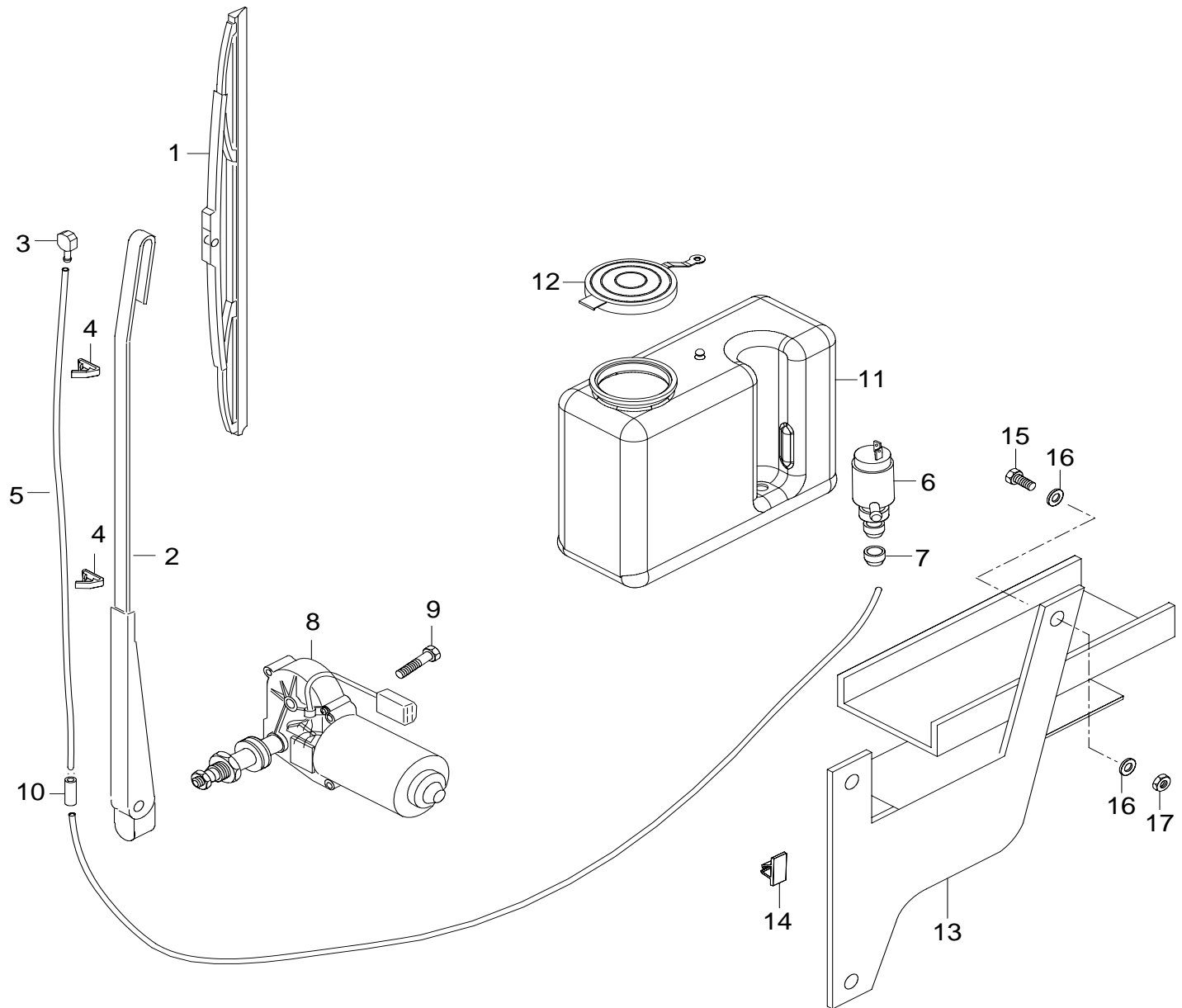
84-05

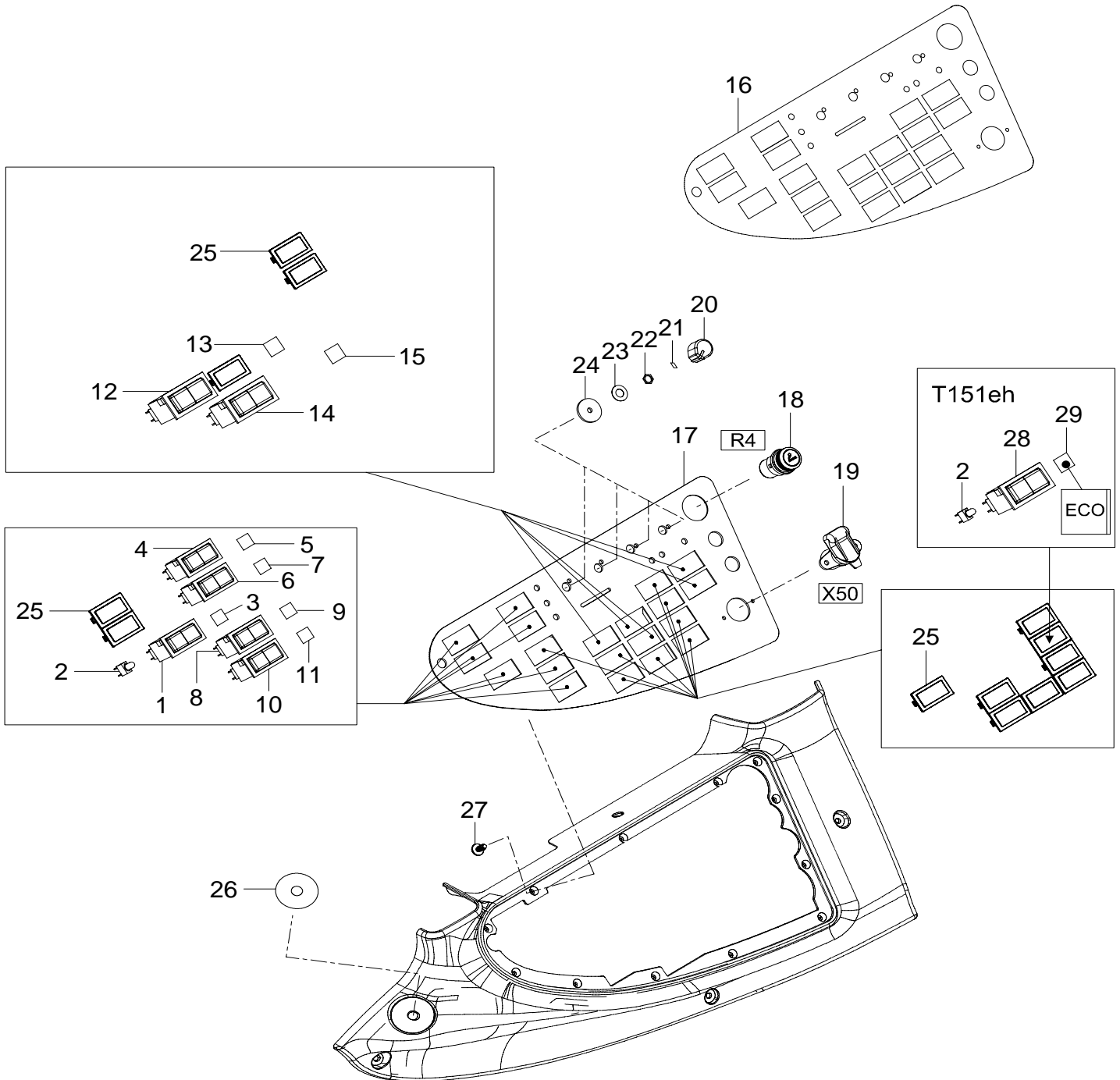
1.6.2007

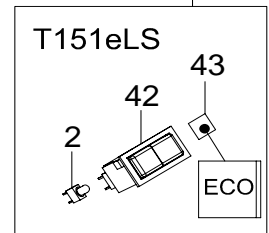
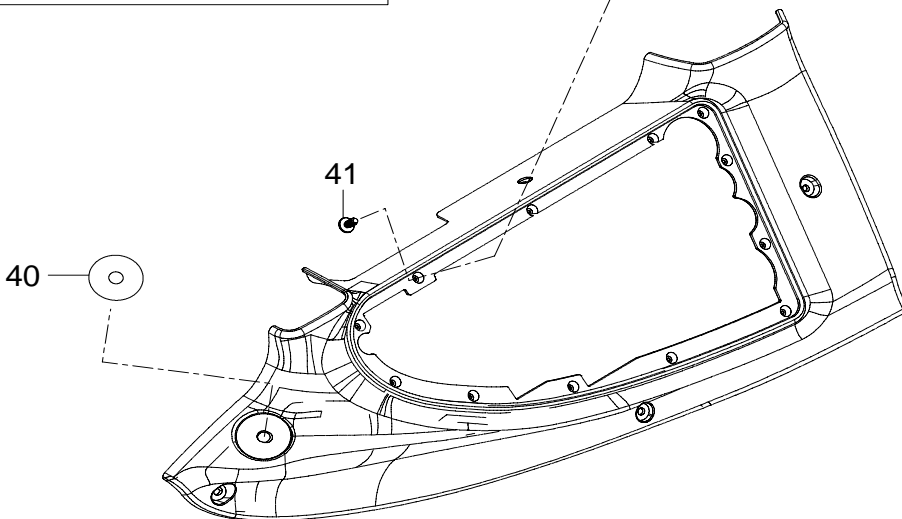
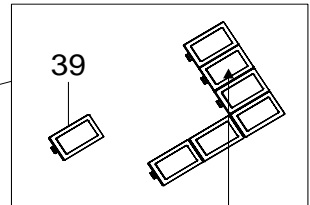
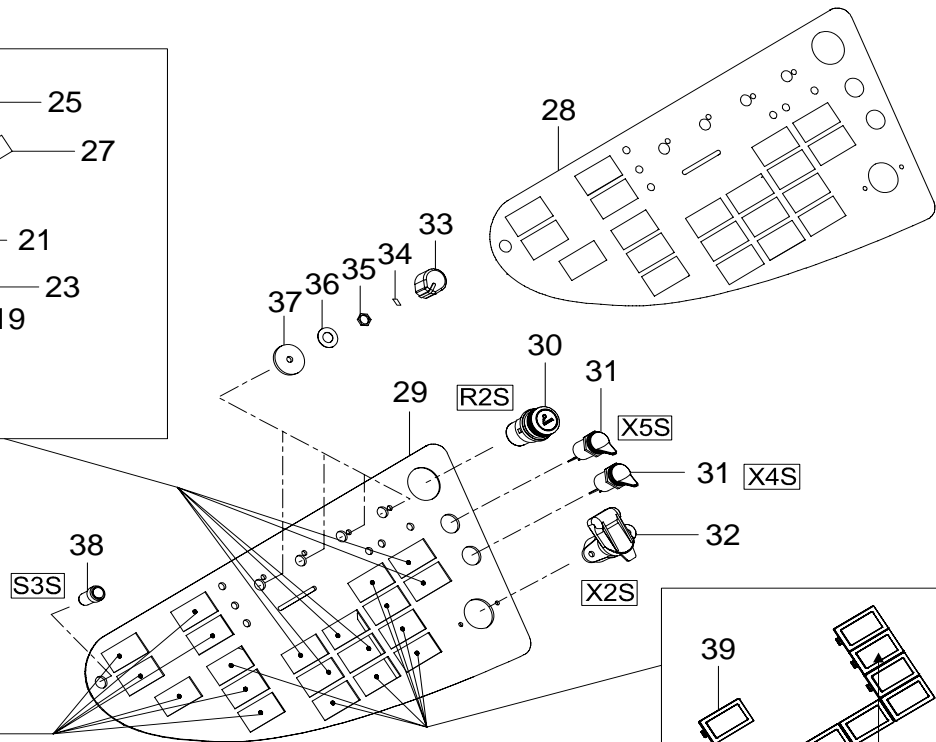
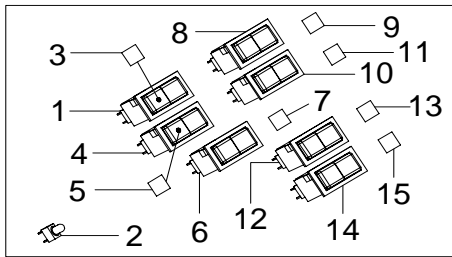
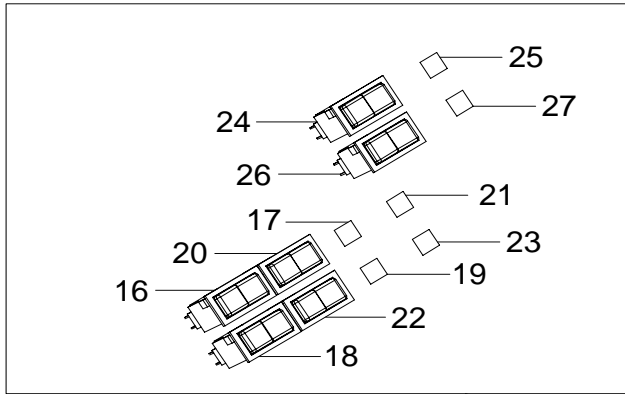
T121h, T131h, T151eh, T151eLS,  
T161h, T161LS, T171h, T171LS,  
T191h, T191LS

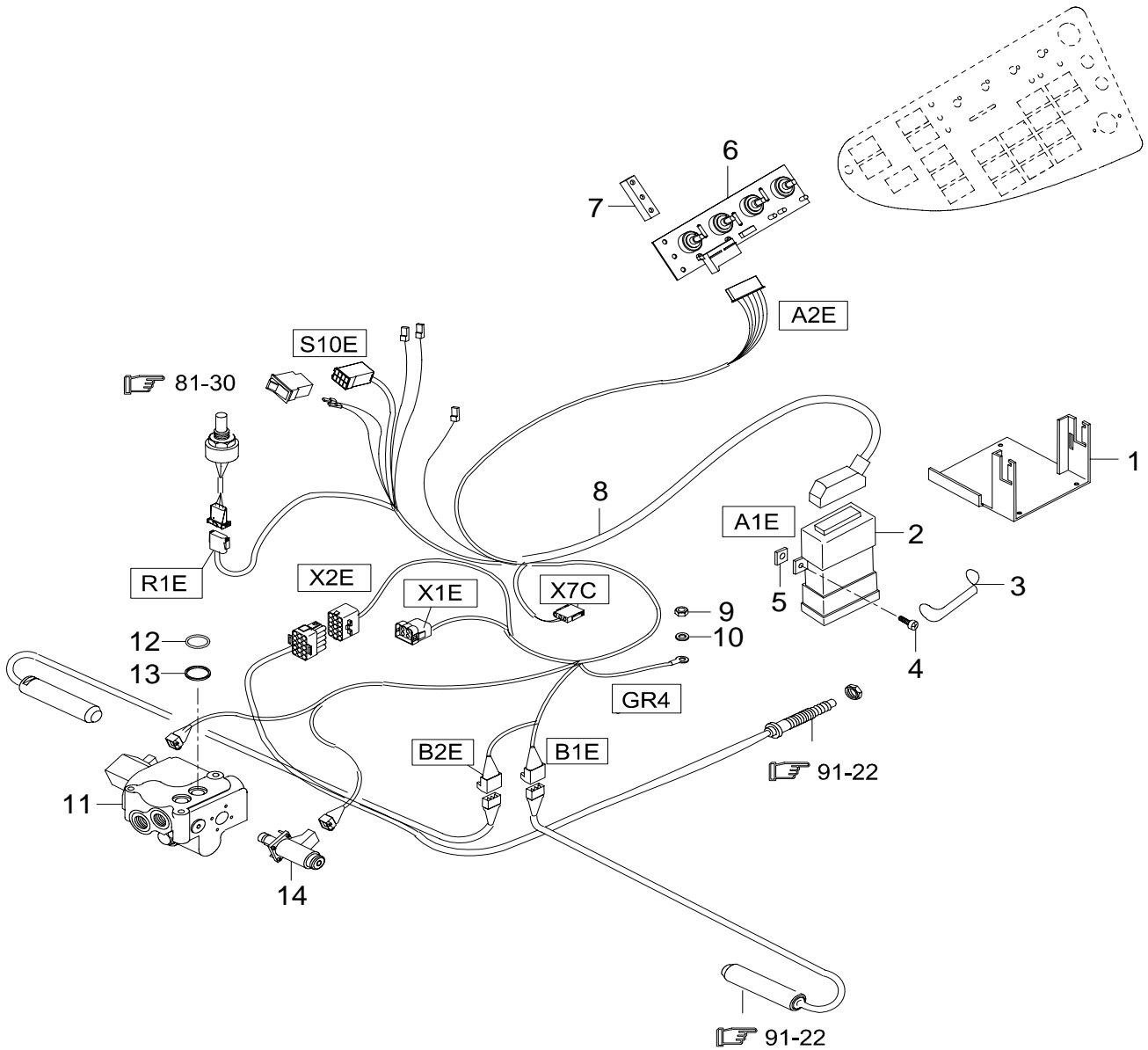


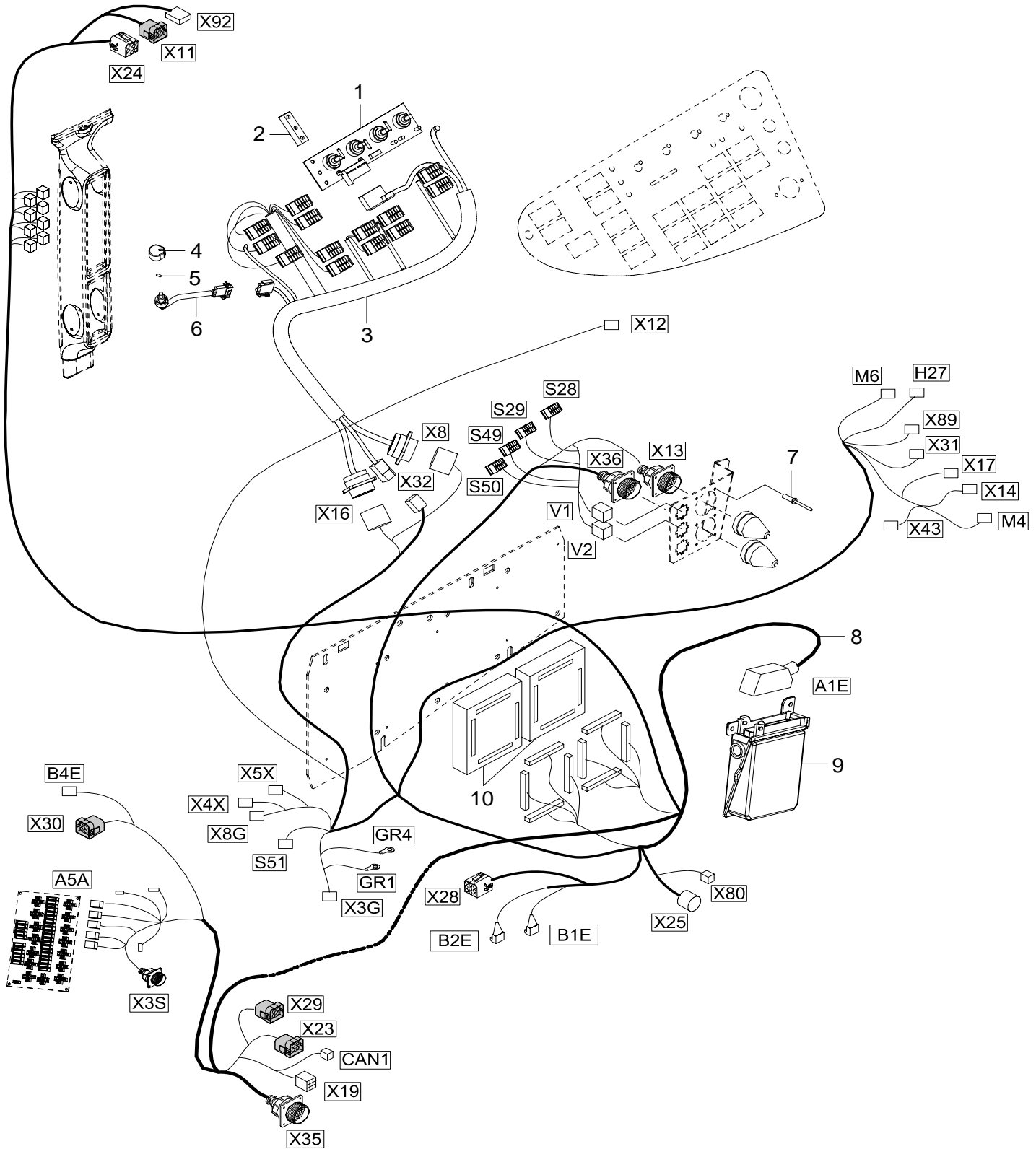


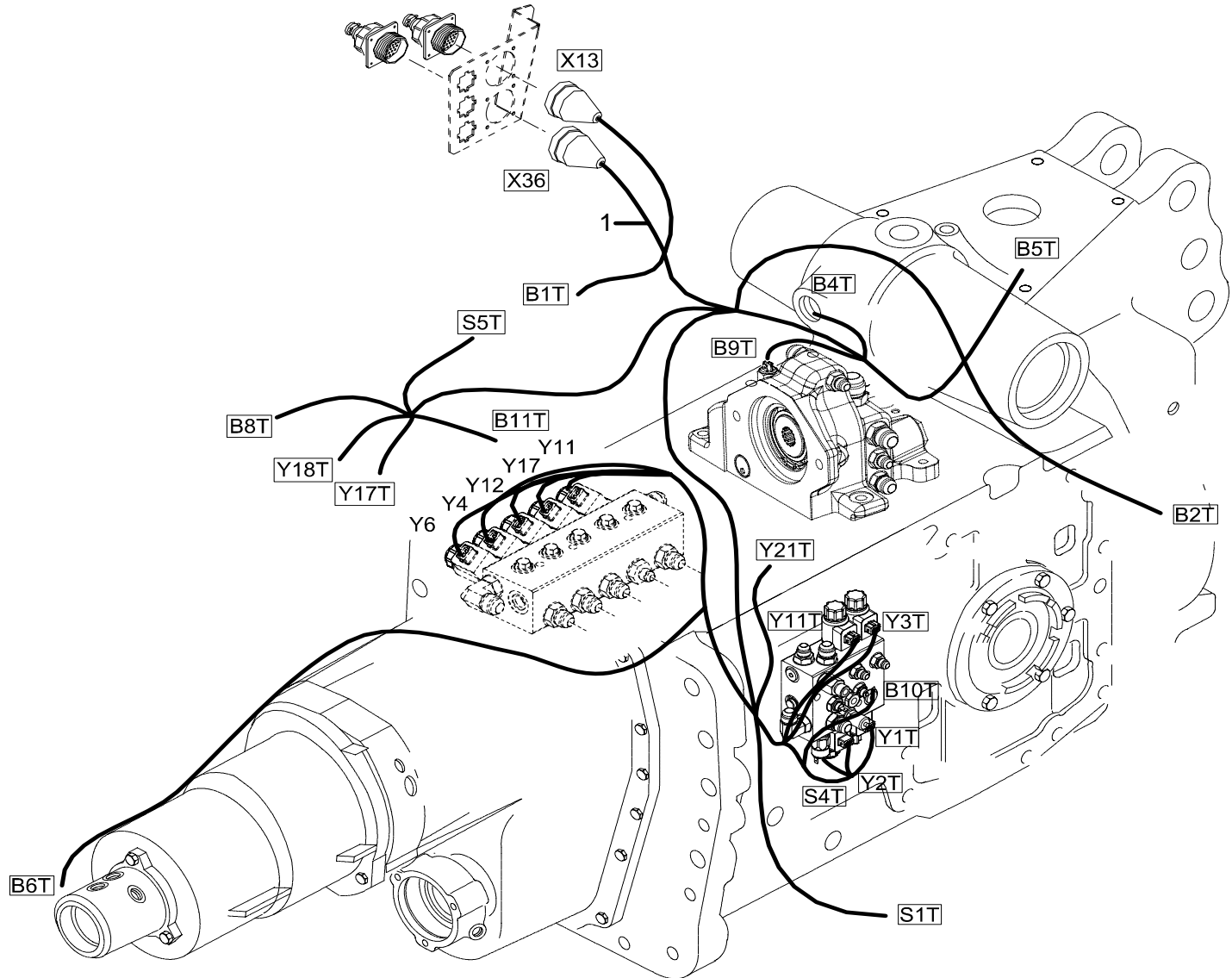






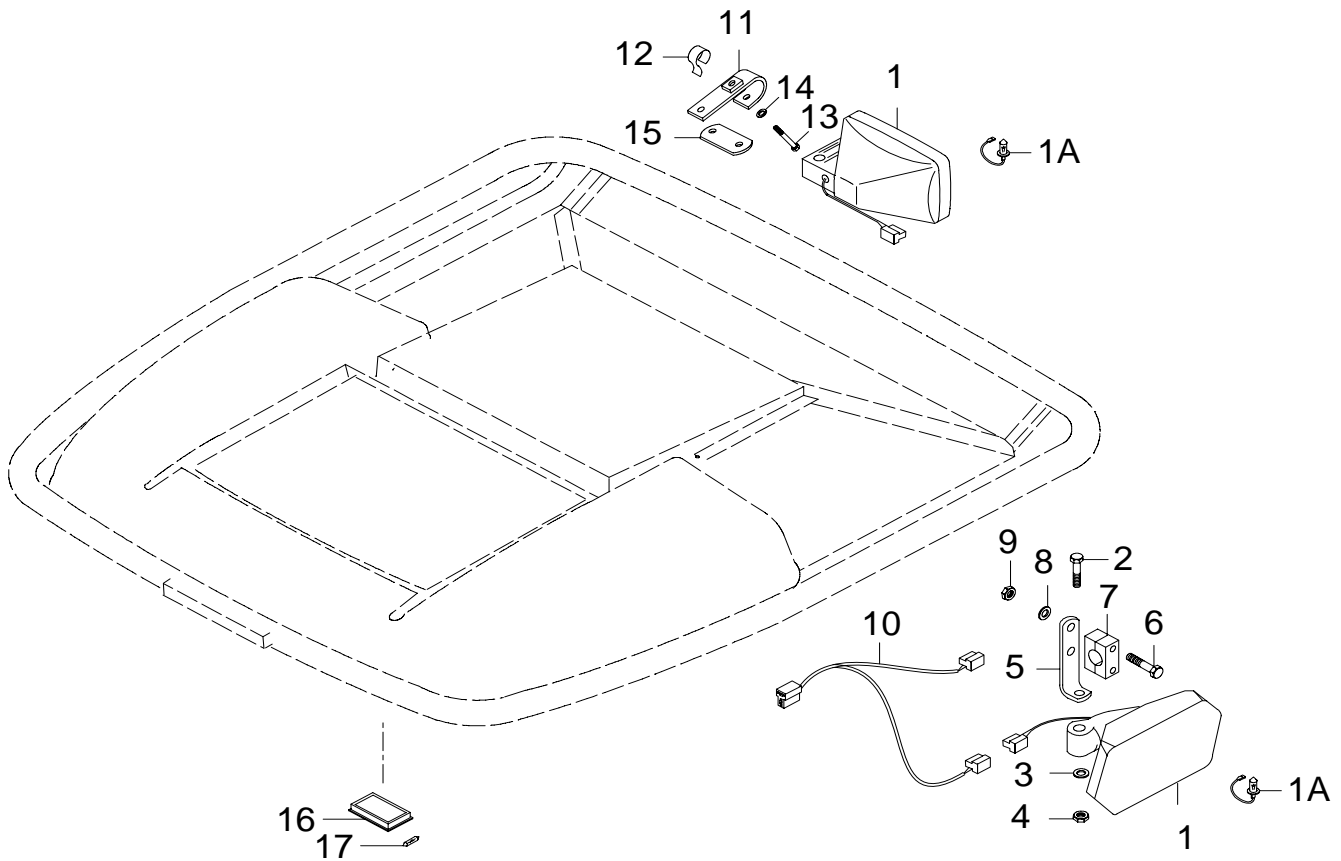


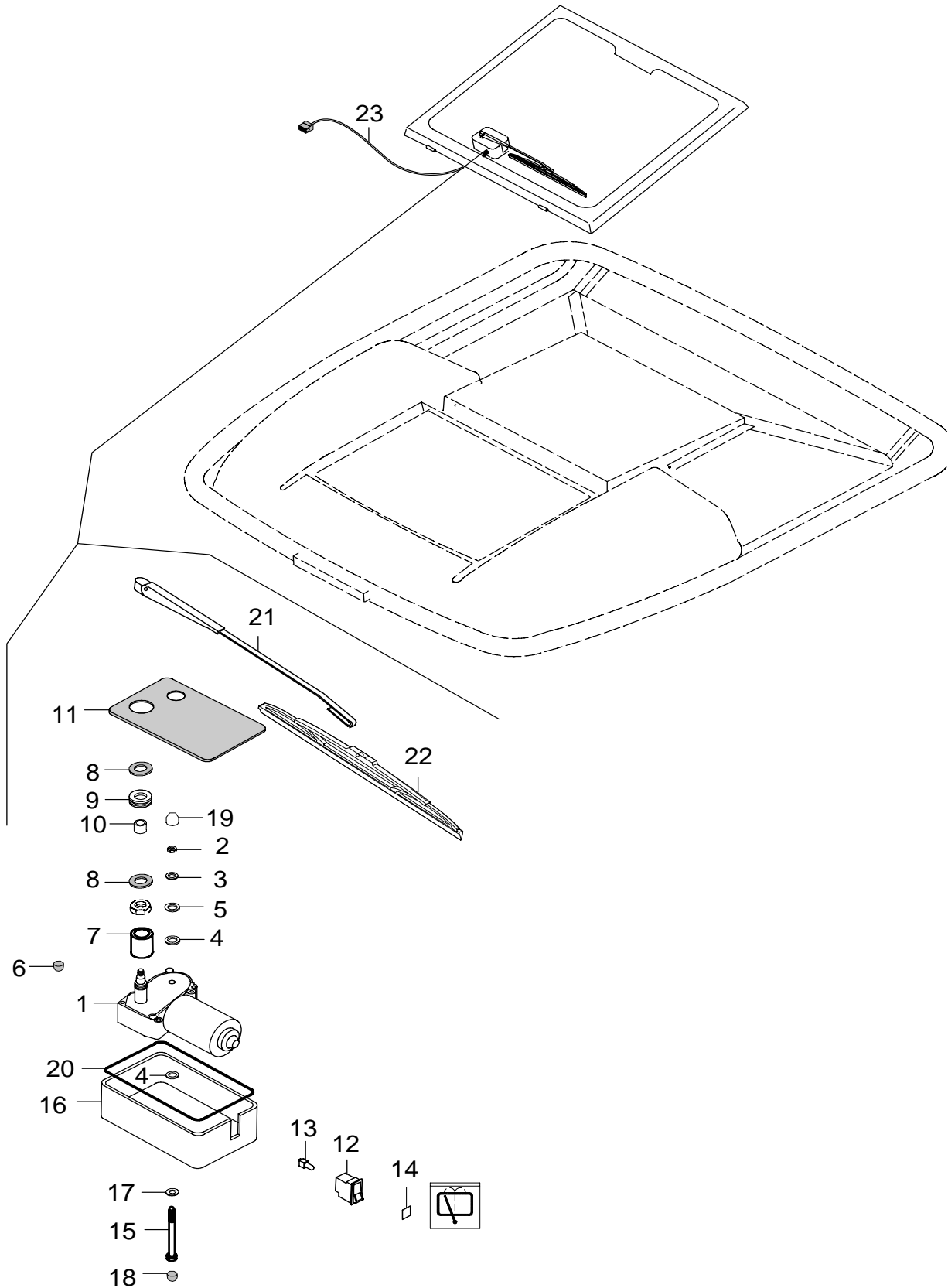




1.6.2007

T121c, T121h, T131c, T131h,  
T151eh, T151eLS, T161c, T161h,  
T161LS, T171c, T171h, T171LS,  
T191h, T191LS







ILMAJOUSITETTU  
ISTUIN  
(LISÄVARUSTE)

SITS MED  
LUFTFJÄDER (EXTRA  
UTRUSTNING)

AIR-SUSPEND.  
DRIVERS SEAT  
(OPTIONAL  
EQUIPMENT)

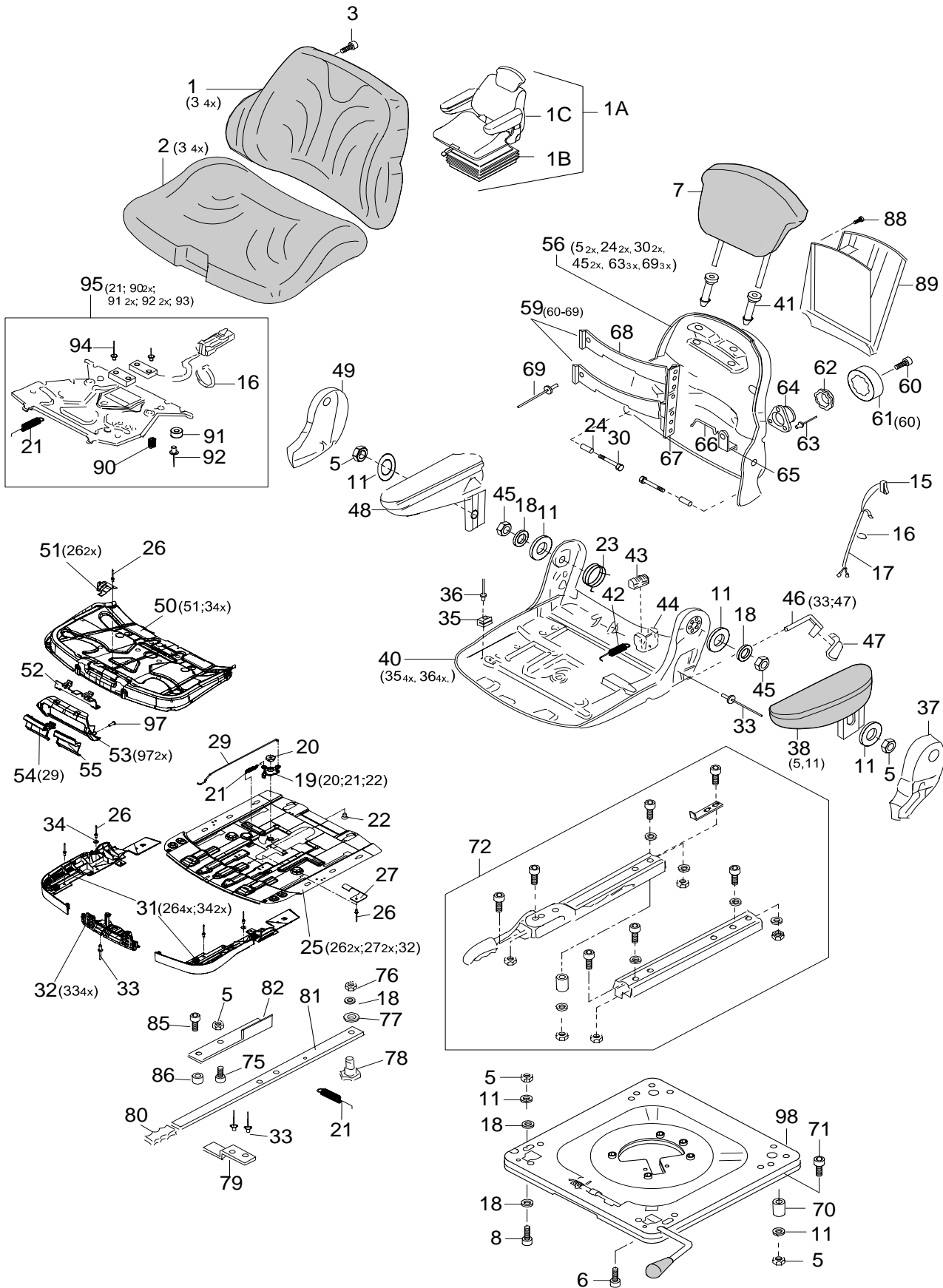
FAHRERSITZ MIT  
LUFTFEDERUNG  
(EXTRAZUBEHÖR)

SIEGE A  
SUSPENSION AIR  
(EQUIPEMENT  
OPTIONNEL)

89-01

1.6.2007

T121c, T121h, T131c, T131h,  
T151eh, T151eLS, T161c, T161h,  
T161LS, T171c, T171h, T171LS,  
T191h, T191LS



JOUSTOLAITE  
(LISÄVARUSTE)

DÄMPELEMENT  
(EXTRA  
UTRUSTNING)

FLEXIBLE MOUNT  
(OPTIONAL  
EQUIPMENT)

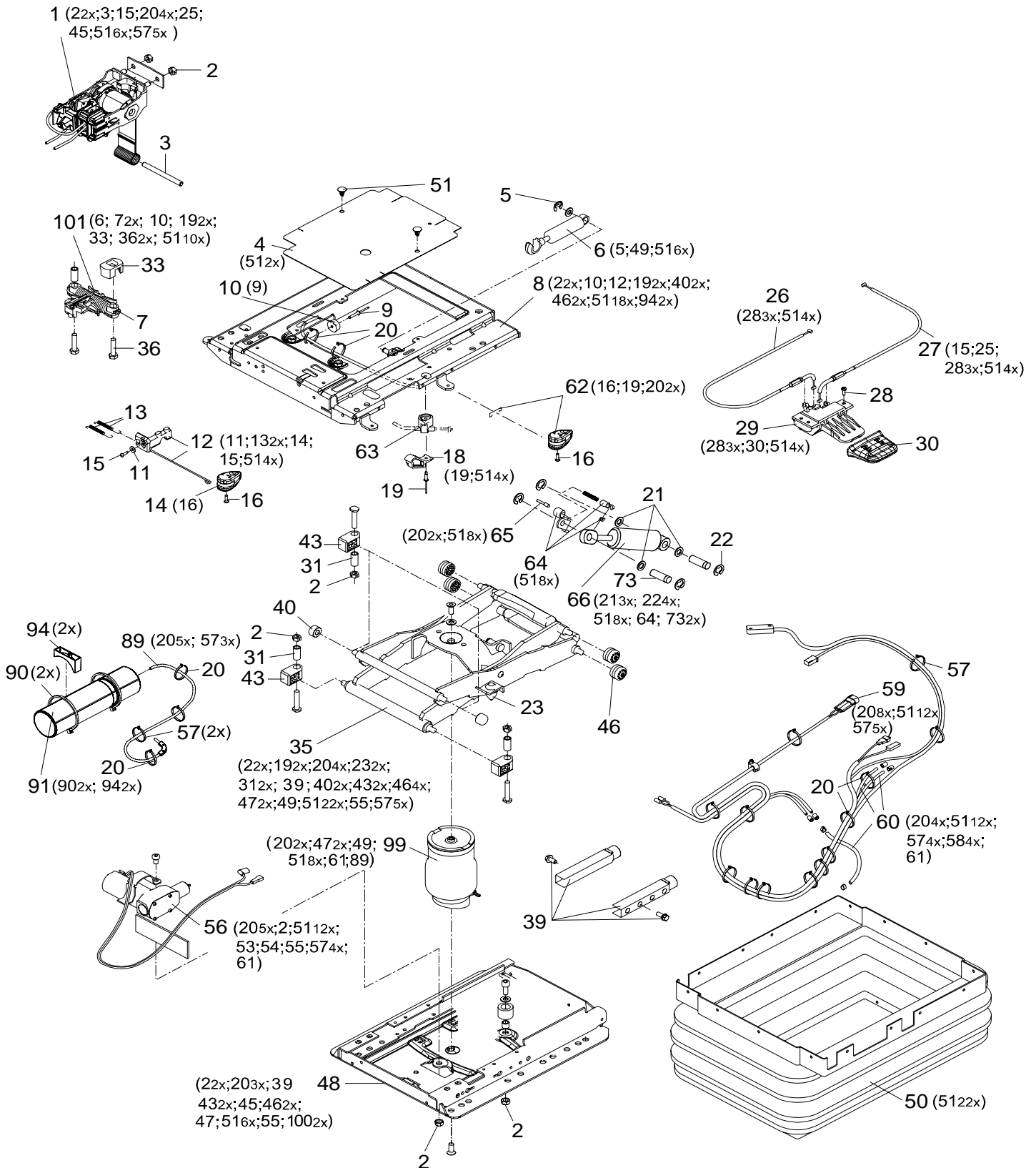
FEDERANLAGE  
(EXTRAZUBEHÖR)

MONTAGE FLEXIBLE  
(EQUIPEMENT  
OPTIONNEL)

89-05

1.6.2007

T121c, T121h, T131c, T131h,  
T151eh, T151eLS, T161c, T161h,  
T161LS, T171c, T171h, T171LS,  
T191h, T191LS



APUTASO  
(LISÄVARUSTE)

UTVIKBAR  
PLATTFORM (EXTRA  
UTRUSTNING)

FOLD-OUT  
PLATFORM  
(EQUIPMENT)

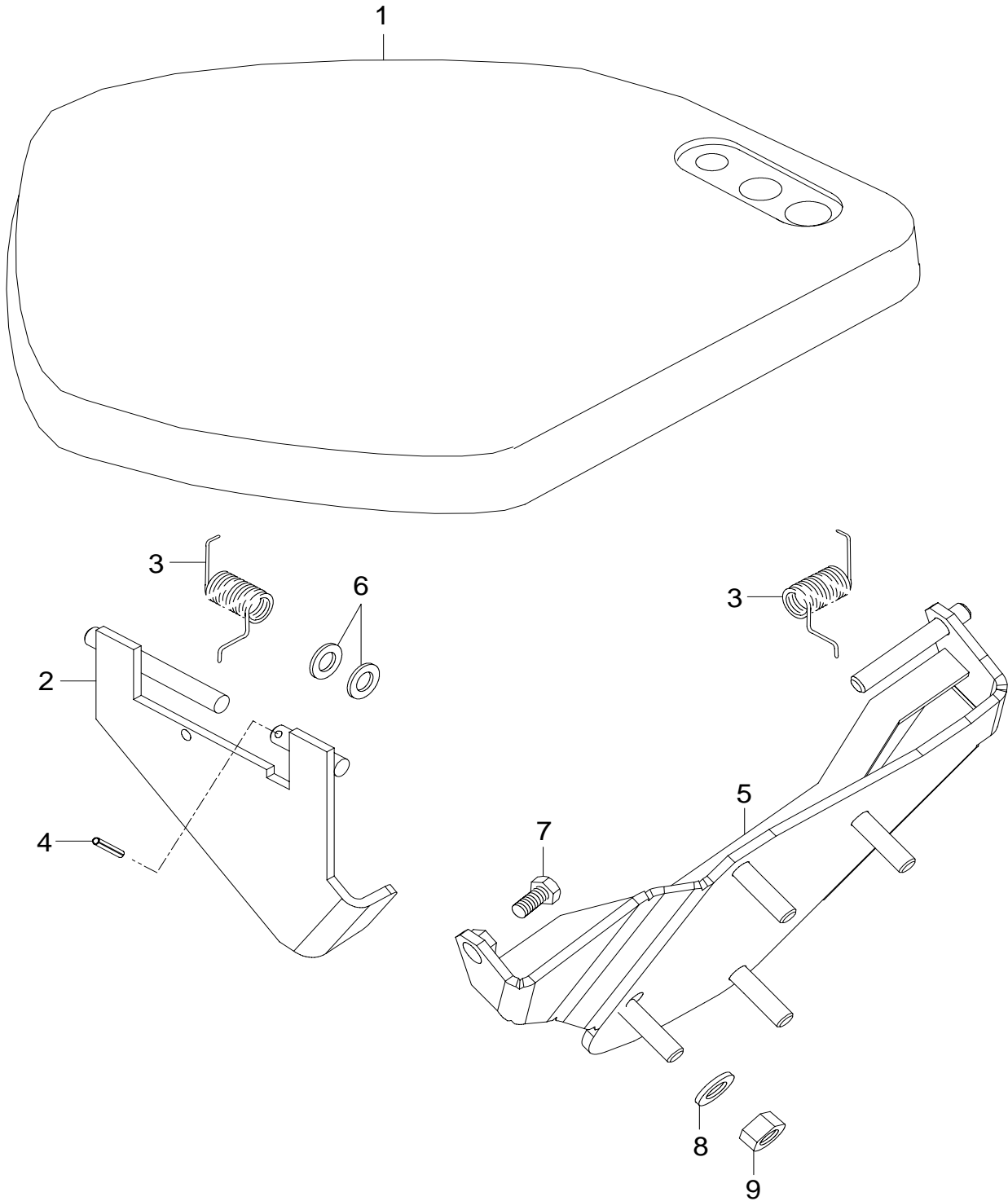
HILFSFLÄCHE  
(EXTRAZUBEHÖR)

PLATEAU REPLIABLE  
(EQUIPEMENT  
OPTIONNEL)

89-07

1.6.2007

T121c, T121h, T131c, T131h,  
T151eh, T151eLS, T161c, T161h,  
T161LS, T171c, T171h, T171LS,  
T191h, T191LS



ILMASTOINTILAITE  
(LISÄVARUSTE)

LUFTKONDITIONERING  
G (EXTRA  
UTRUSTNING)

AIR CONDITIONING  
(OPTIONAL  
EQUIPMENT)

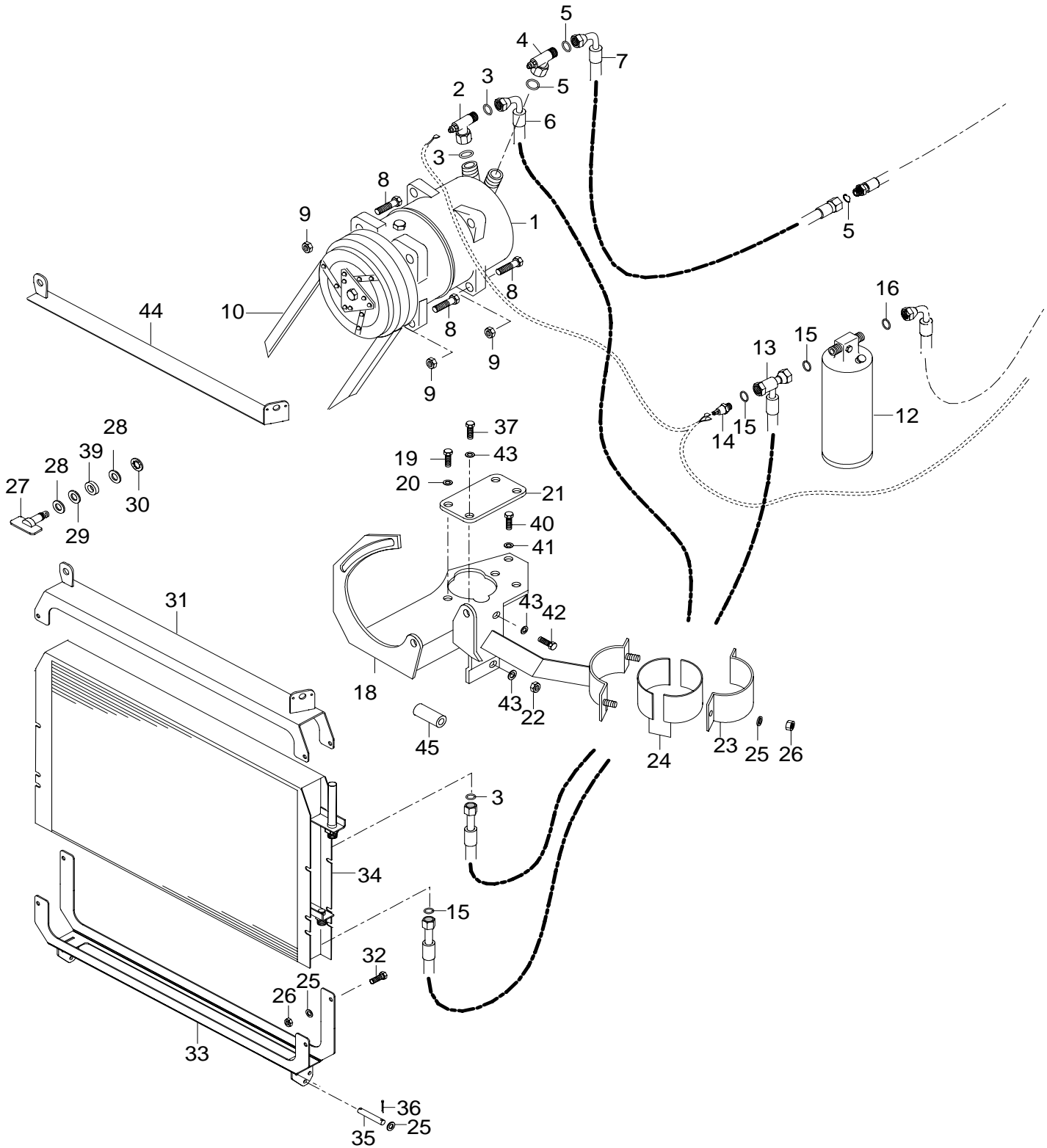
KLIMAAANLAGE  
(EXTRAZUBEHÖR)

AIR CONDITIONNE  
(EQUIPEMENT  
OPTIONNEL)

89-09

1.6.2007

T121c, T121h, T131c, T131h,  
T151eh, T151eLS, T161c, T161h,  
T161LS, T171c, T171h, T171LS,  
T191h, T191LS



ILMASTOINTILAITE  
(LISÄVARUSTE)

LUFTKONDITIONERIN  
G (EXTRA  
UTRUSTNING)

AIR CONDITIONING  
(OPTIONAL  
EQUIPMENT)

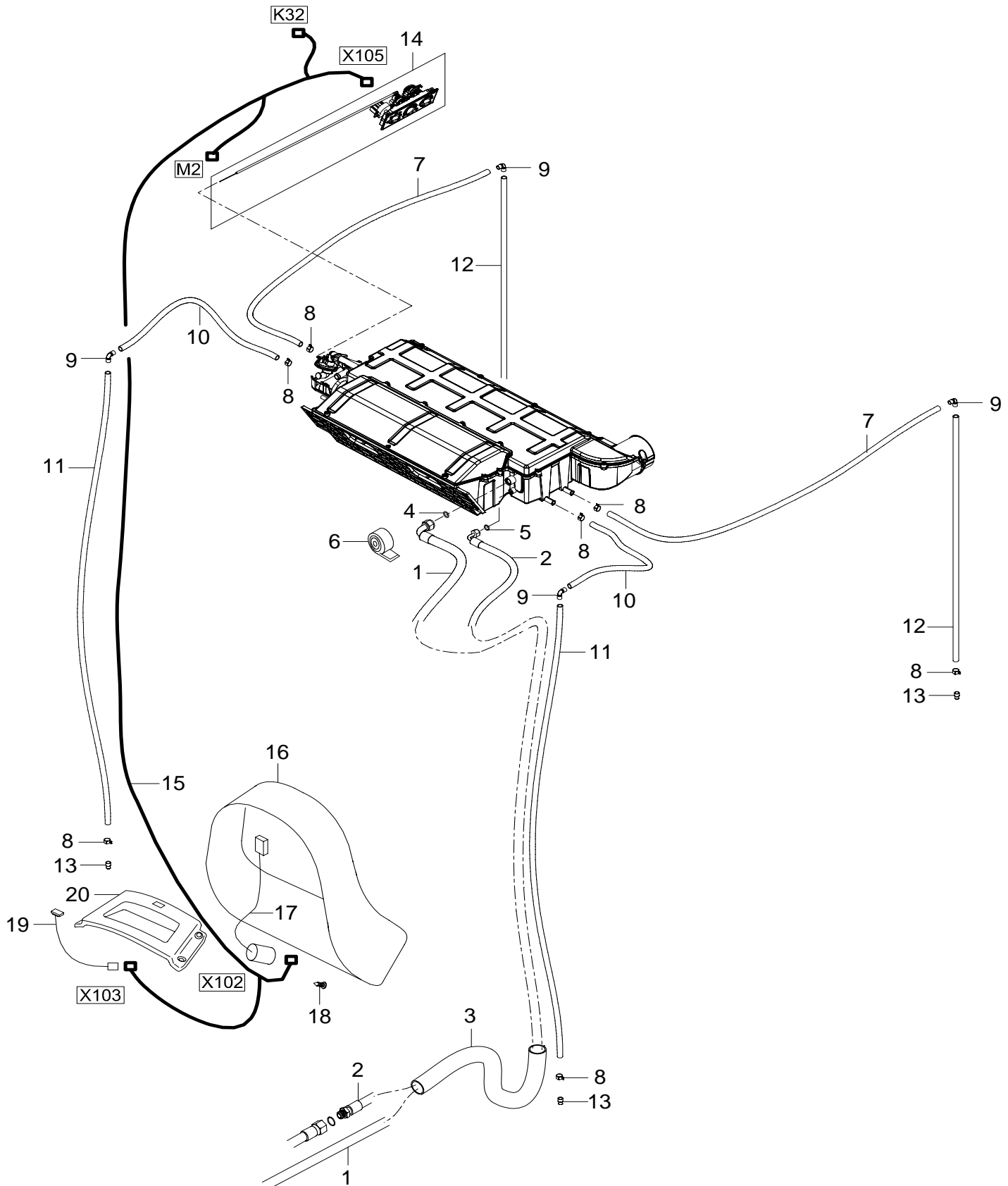
KLIMAAANLAGE  
(EXTRAZUBEHÖR)

AIR CONDITIONNE  
(EQUIPEMENT  
OPTIONNEL)

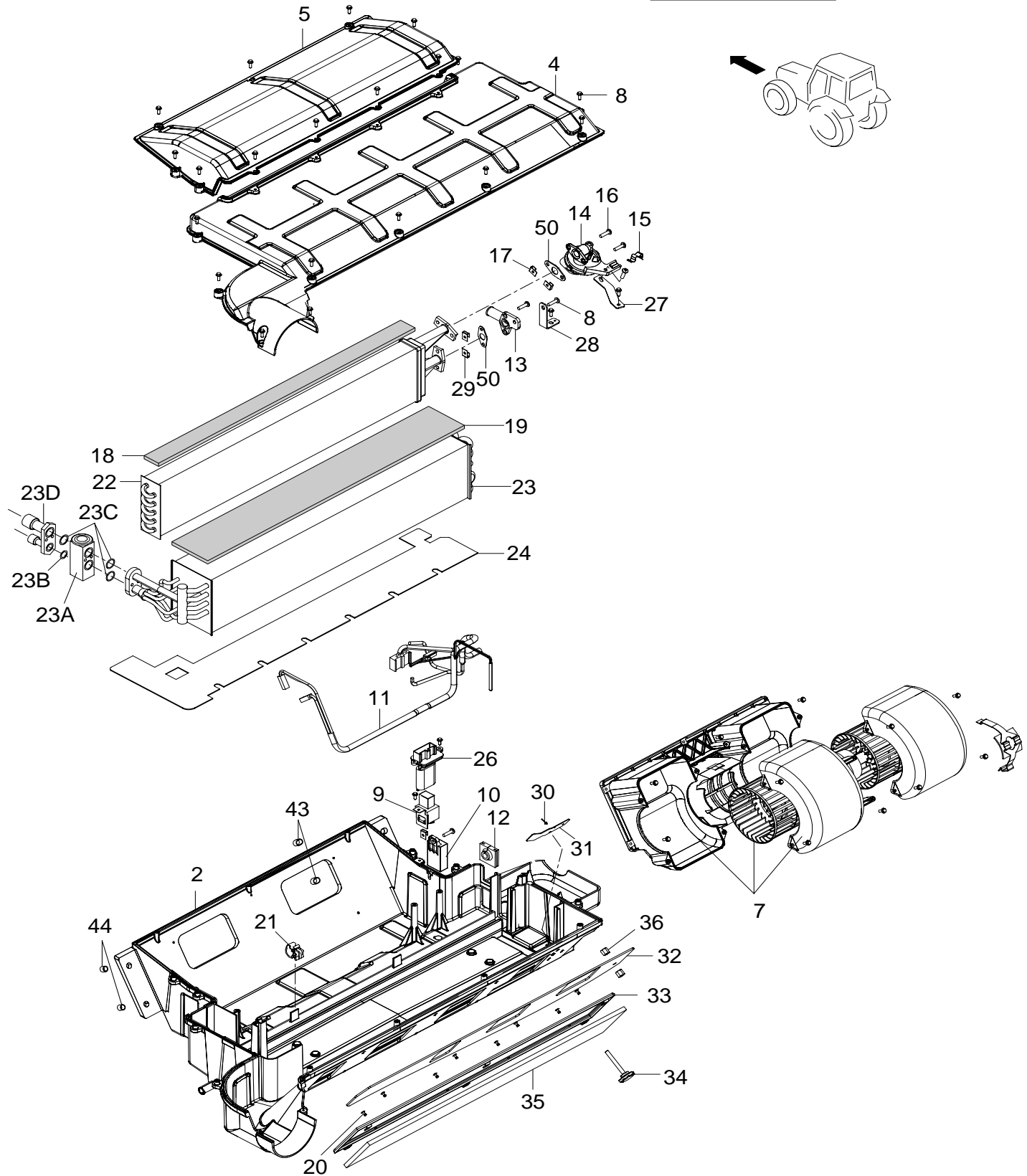
89-11

1.6.2007

T121c, T121h, T131c, T131h,  
T151eh, T151eLS, T161c, T161h,  
T161LS, T171c, T171h, T171LS,  
T191h, T191LS



DENSO MANUAL



ILMASTOINTILAITE  
(LISÄVARUSTE)

LUFTKONDITIONERING  
G (EXTRA  
UTRUSTNING)

AIR CONDITIONING  
(OPTIONAL  
EQUIPMENT)

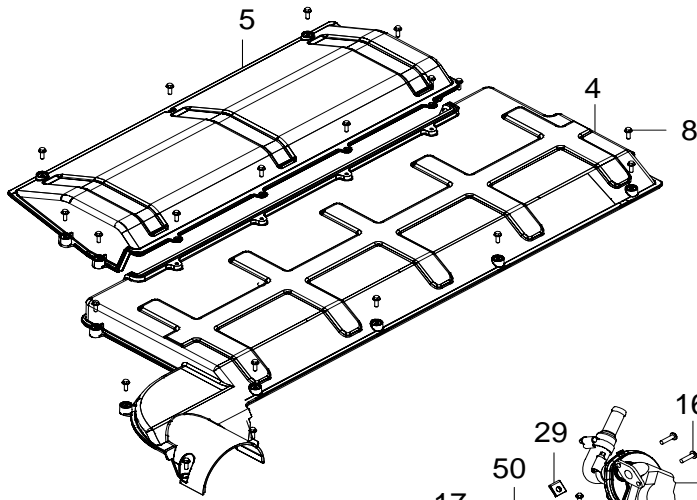
KLIMAAANLAGE  
(EXTRAZUBEHÖR)

AIR CONDITIONNE  
(EQUIPEMENT  
OPTIONNEL)

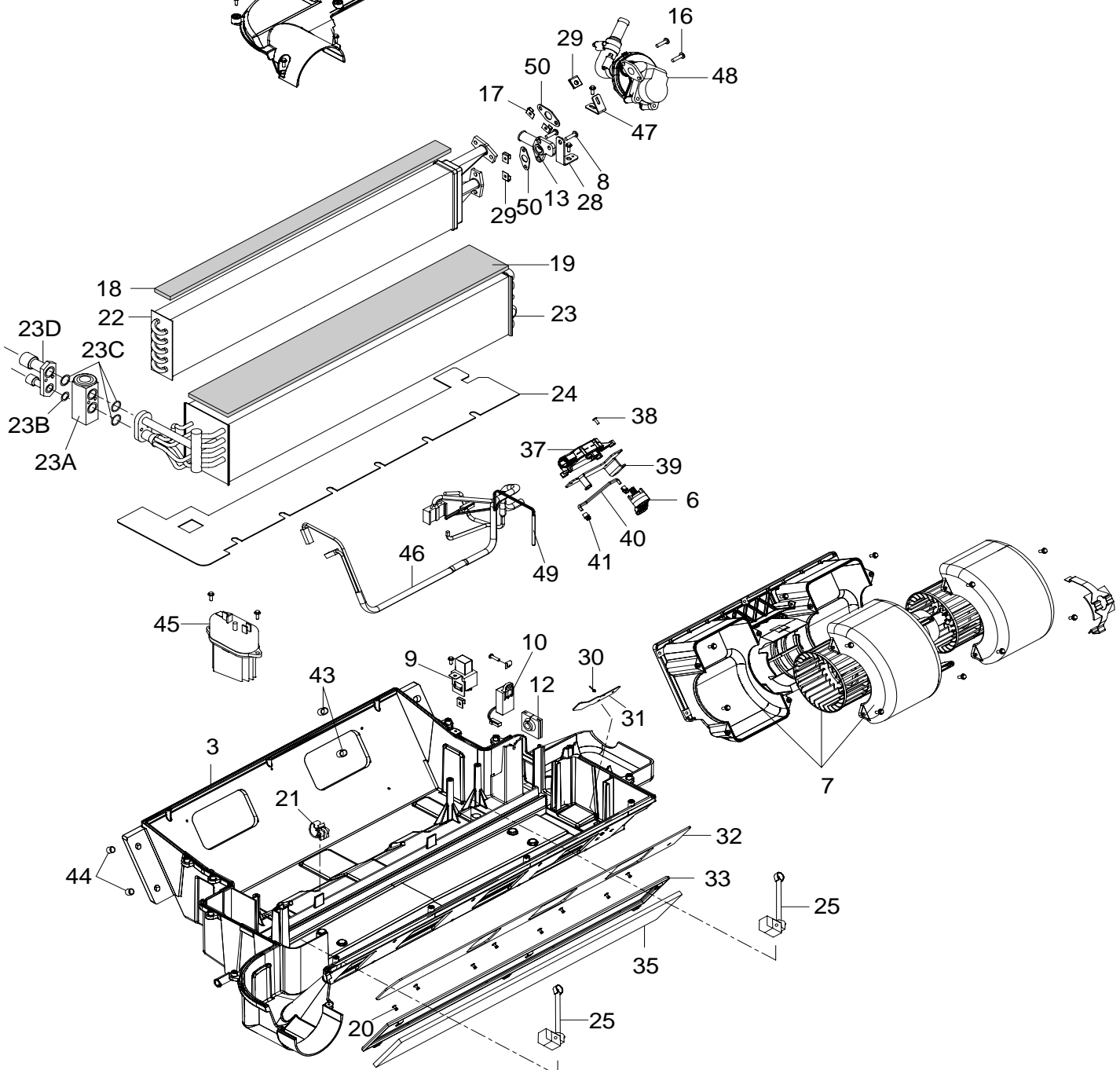
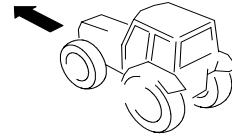
89-13A

1.6.2007

T121c, T121h, T131c, T131h,  
T151eh, T151eLS, T161c, T161h,  
T161LS, T171c, T171h, T171LS,  
T191h, T191LS



DENSO AUTOMATIC



ILMASTOINTILAITE,  
FOREST  
(LISÄVARUSTE)

LUFTKONDITIONERIN  
G, FOREST (EXTRA  
UTRUSTNING)

AIR CONDITIONING,  
FOREST (OPTIONAL  
EQUIPMENT)

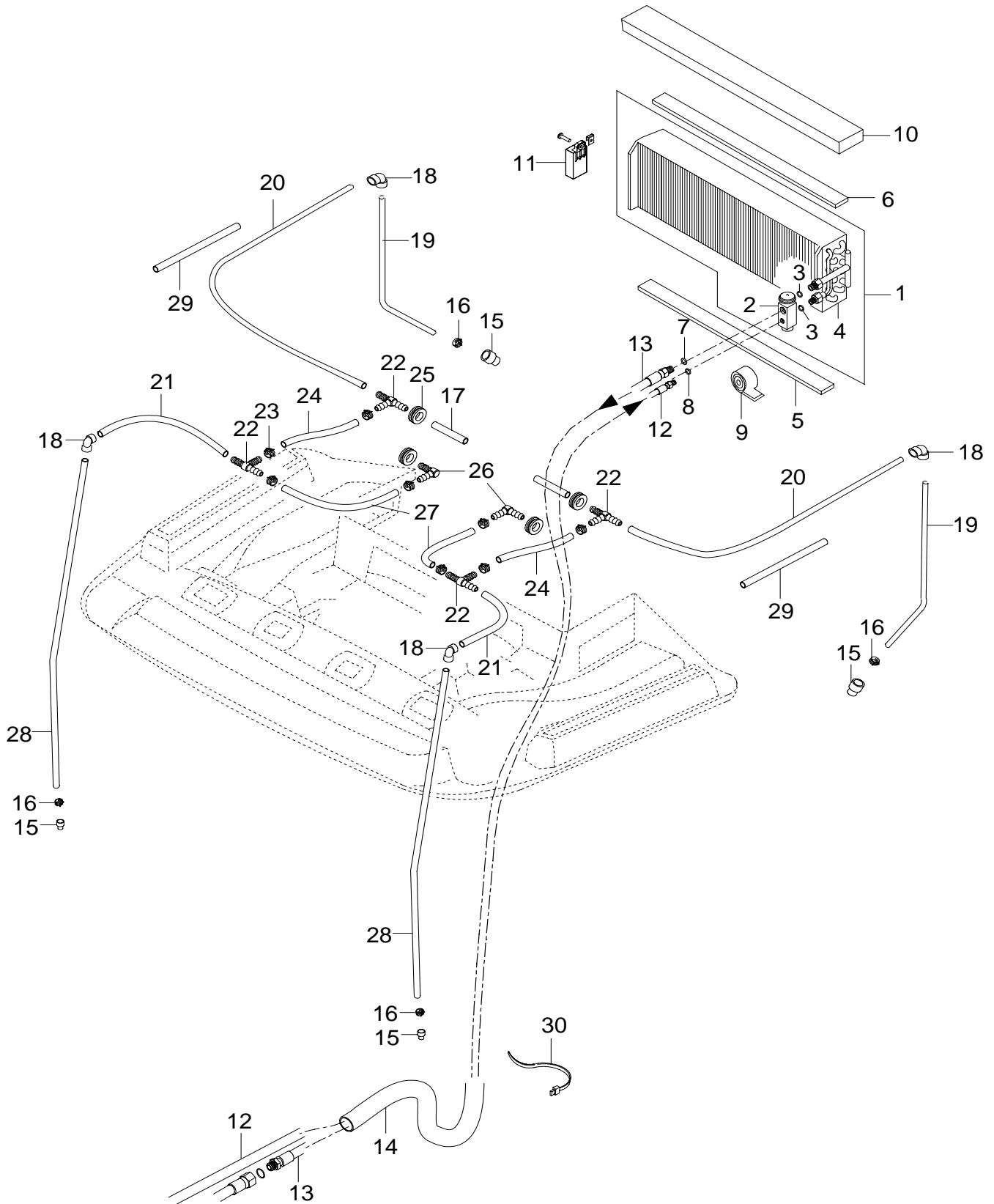
KLIMAAANLAGE,  
FOREST  
(EXTRAZUBEHÖR)

AIR CONDITIONNE,  
FOREST  
(EQUIPEMENT  
OPTIONNEL)

89-15

1.6.2007

T121c, T121h, T131c, T131h,  
T151eh, T151eLS, T161c, T161h,  
T161LS, T171c, T171h, T171LS,  
T191h, T191LS

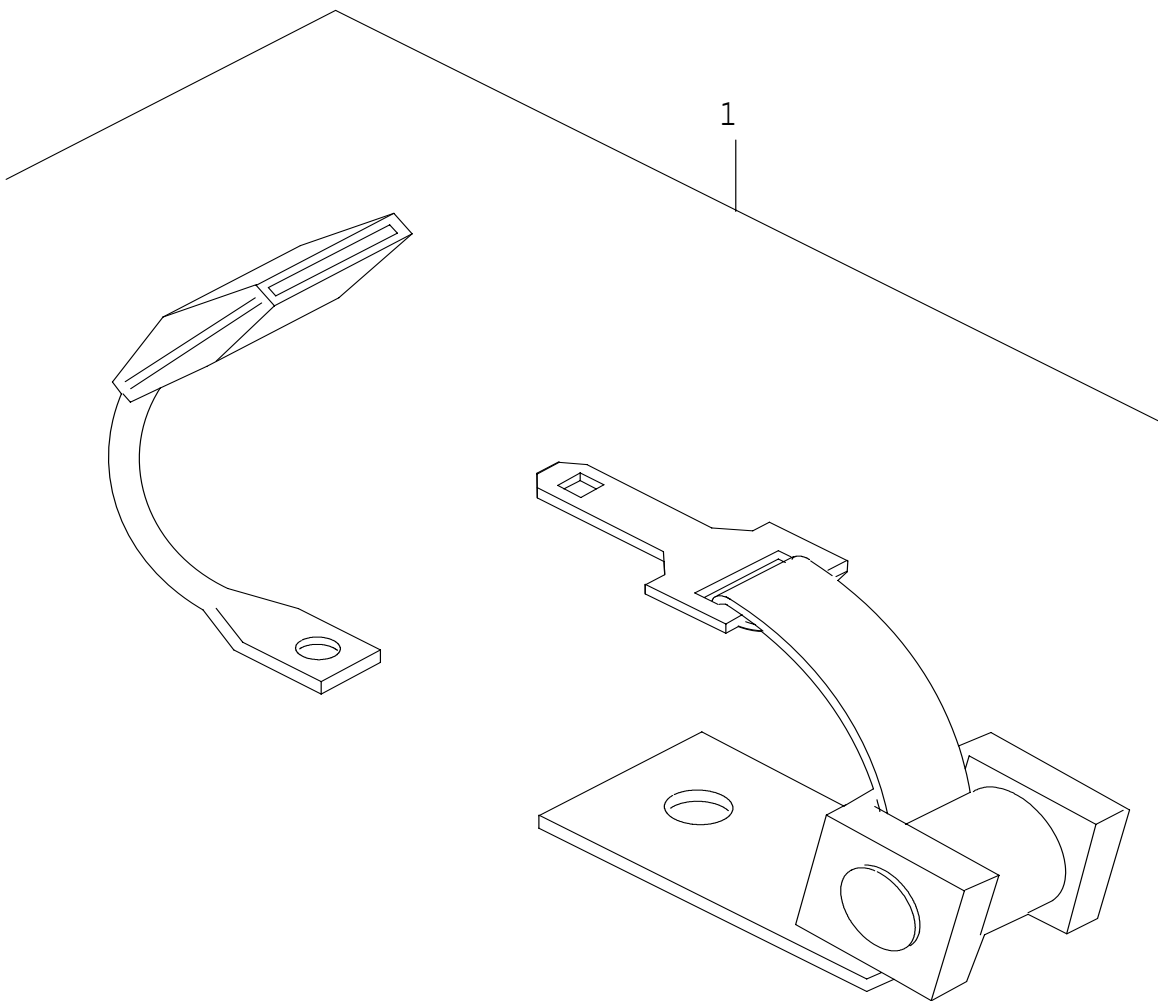




TURVAVYÖ  
(LISÄVARUSTE)SÄKERHETSÄLITE  
(EXTRA  
UTRUSTNING)SAFETY BELT  
(OPTIONAL  
EQUIPMENT)SICHERHEITSGURTE  
(EXTRAZUBEHÖR)CEINTURE DE  
SECURITE  
(EQUIPEMENT  
OPTIONNEL)

89-17

1.6.2007

T121c, T121h, T131c, T131h,  
T151eh, T151eLS, T161c, T161h,  
T161LS, T171c, T171h, T171LS,  
T191h, T191LS

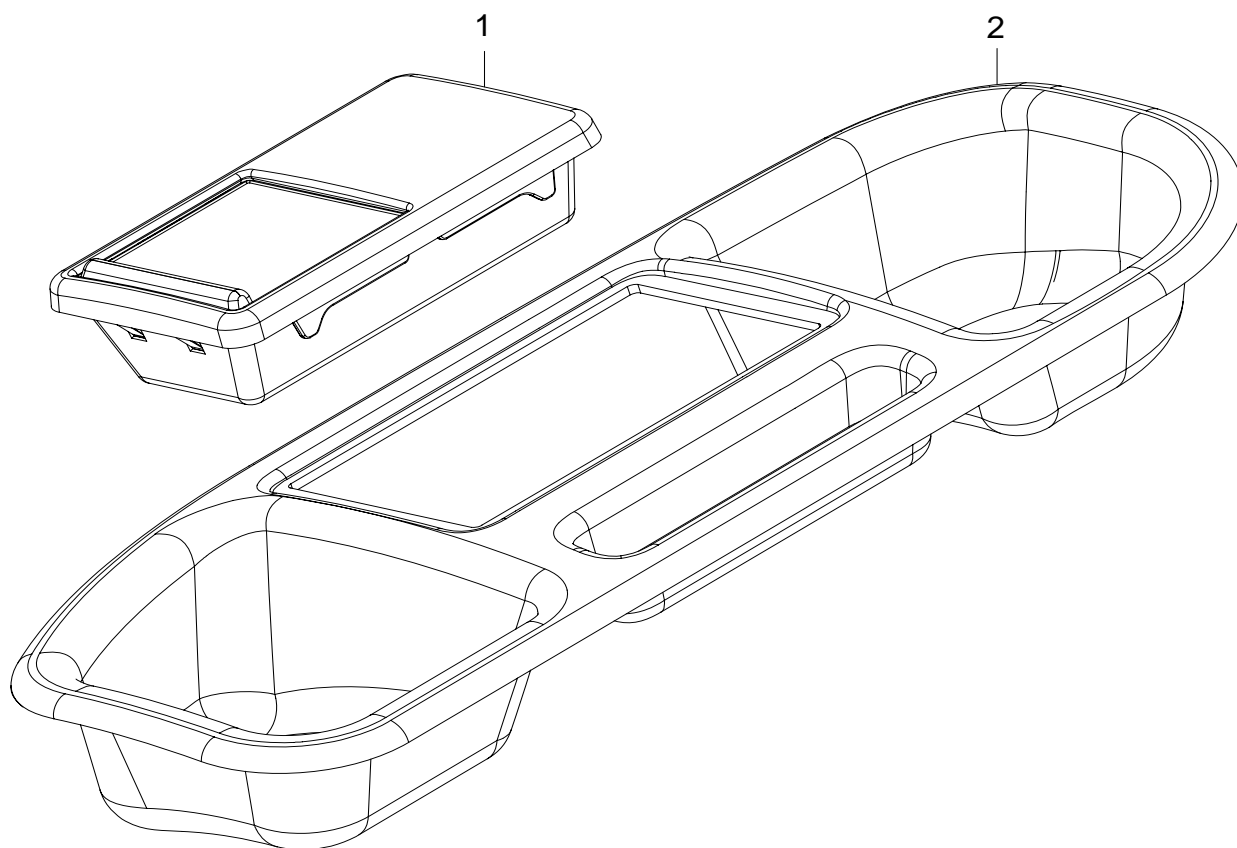
TUHKAKUPPI  
(LISÄVARUSTE)ASKKOPP (EXTRA  
UTRUSTNING)ASHTRAY (OPTIONAL ASCHER  
EQUIPMENT)

(EXTRAZUBEHÖR)

CENDRIER ET  
ALLUME-CIGARES  
(EQUIPEMENT  
OPTIONNEL)

89-19

1.6.2007

T121c, T121h, T131c, T131h,  
T151eh, T151eLS, T161c, T161h,  
T161LS, T171c, T171h, T171LS,  
T191h, T191LS

KATTO  
KATTOLUUKULLA  
(LISÄVARUSTE)

TAK MED TAKLUCKA  
(EXTRA  
UTRUSTNING)

ROOF WITH  
TRAPDOOR  
(OPTIONAL  
EQUIPMENT)

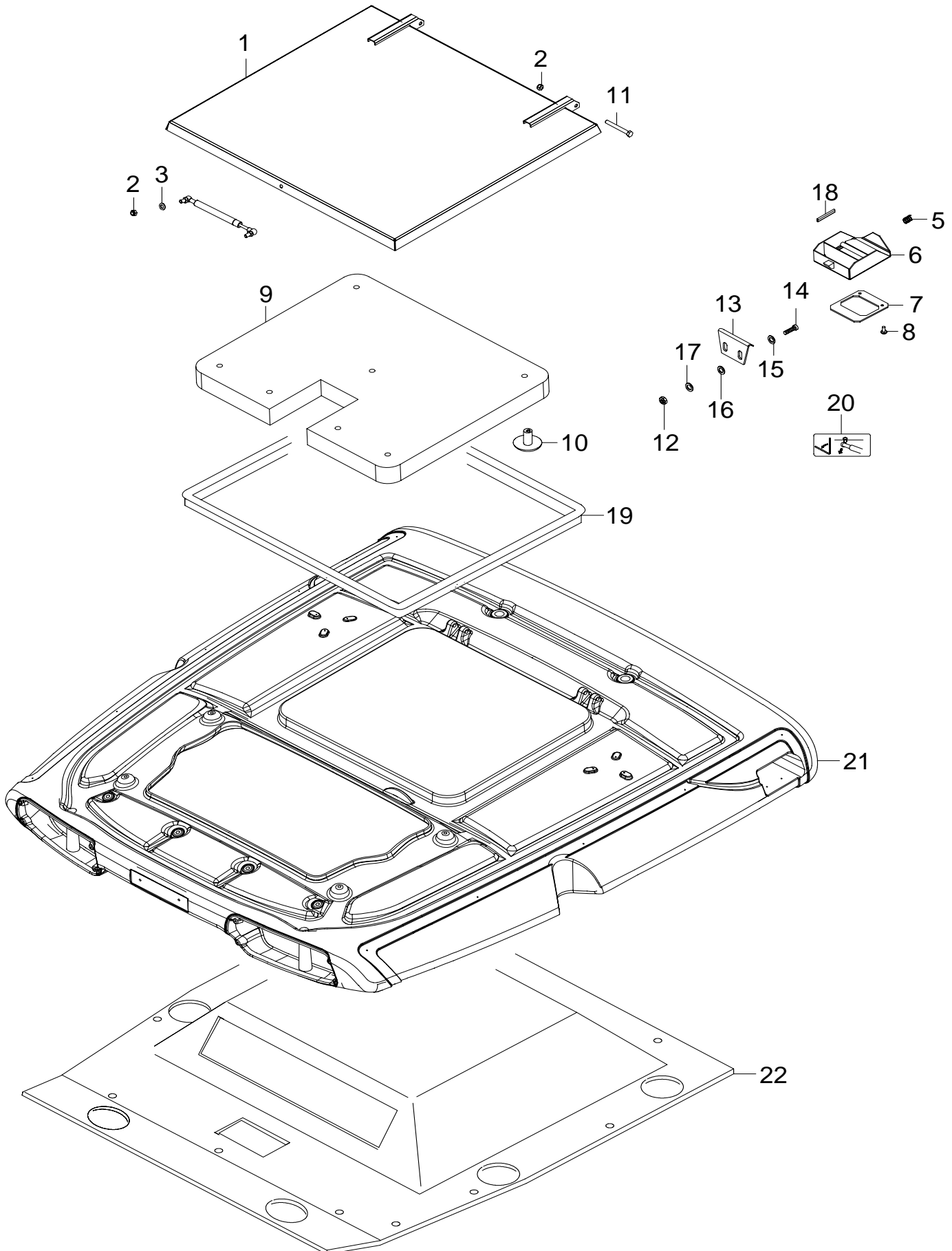
DACH MIT  
SCHIEBEDACH  
(EXTRAZUBEHÖR)

TOIT AVEC TRAPPE  
(EQUIPEMENT  
OPTIONNEL)

89-21

1.6.2007

T121c, T121h, T131c, T131h,  
T151eh, T151eLS, T161c, T161h,  
T161LS, T171c, T171h, T171LS,  
T191h, T191LS



TAKALASINPYYHIN  
(LISÄVARUSTE)

BAKRUTETORKARE  
(EXTRA  
UTRUSTNING)

REAR WINDOW  
WIPER (OPTIONAL  
EQUIPMENT)

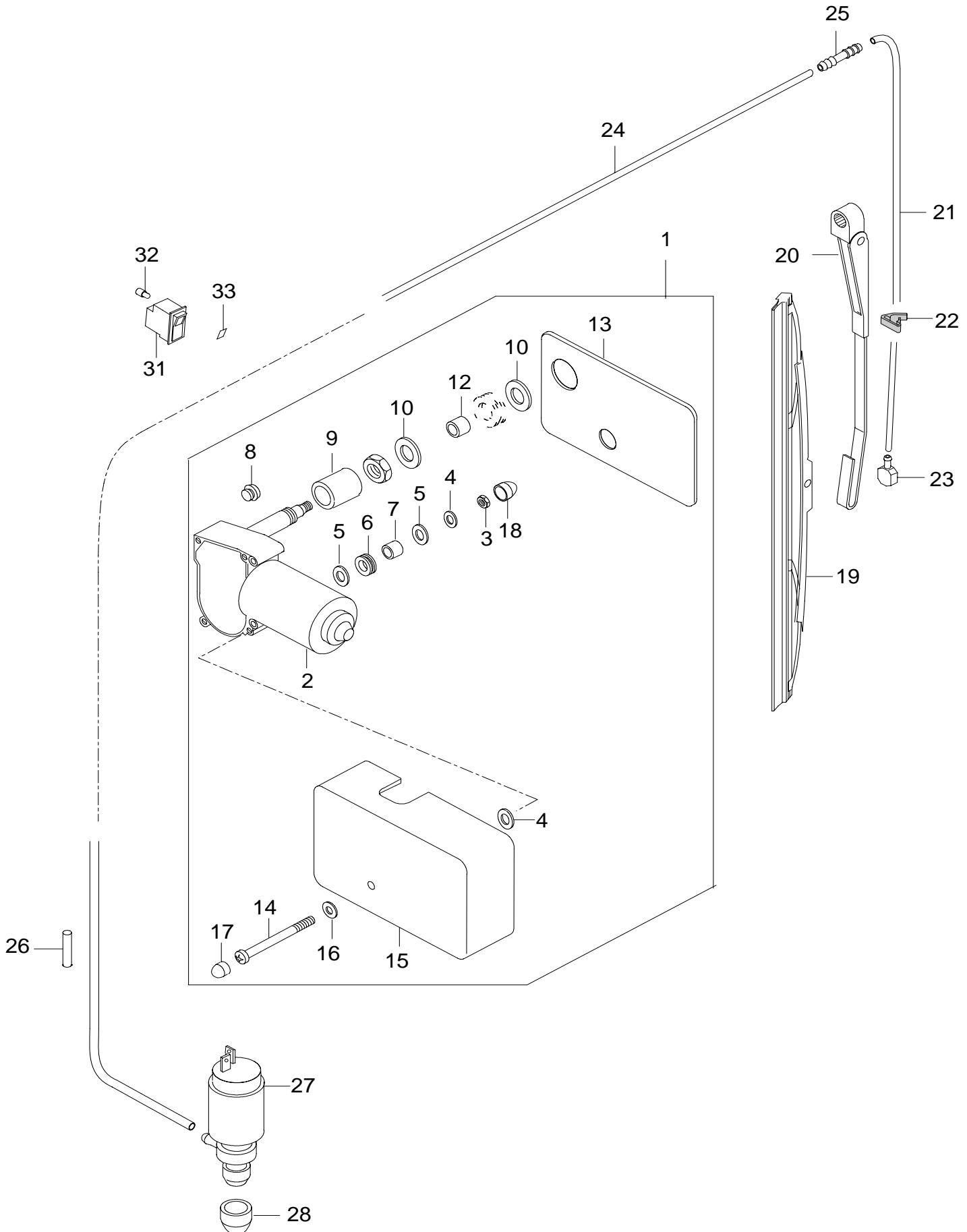
HECKSCHEIBENWISC  
HER  
(EXTRAZUBEHÖR)

ESSUIE-GLACE  
ARRIERE  
(EQUIPEMENT  
OPTIONNEL)

89-23

1.6.2007

T121c, T121h, T131c, T131h,  
T151eh, T151eLS, T161c, T161h,  
T161LS, T171c, T171h, T171LS,  
T191h, T191LS



VALVONTA  
PYSÄYTYSLAITE  
(LISÄVARUSTE)

KONTROLLSTOPP  
(EXTRA  
UTRUSTNING)

CONTROL STOP  
(OPTIONAL  
EQUIPMENT)

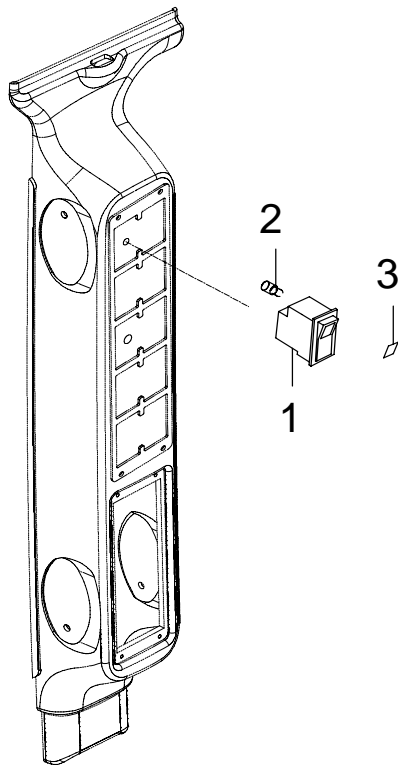
KONTROLLESTOP  
(EXTRAZUBEHÖR)

ARRET ELECTRIQUE  
(EQUIPEMENT  
OPTIONNEL)

89-25

1.6.2007

T121c, T121h, T131c, T131h,  
T151eh, T151eLS, T161c, T161h,  
T161LS, T171c, T171h, T171LS,  
T191h, T191LS



RADIO  
(LISÄVARUSTE)

RADIO (EXTRA  
UTRUSTNING)

RADIO (OPTIONAL  
EQUIPMENT)

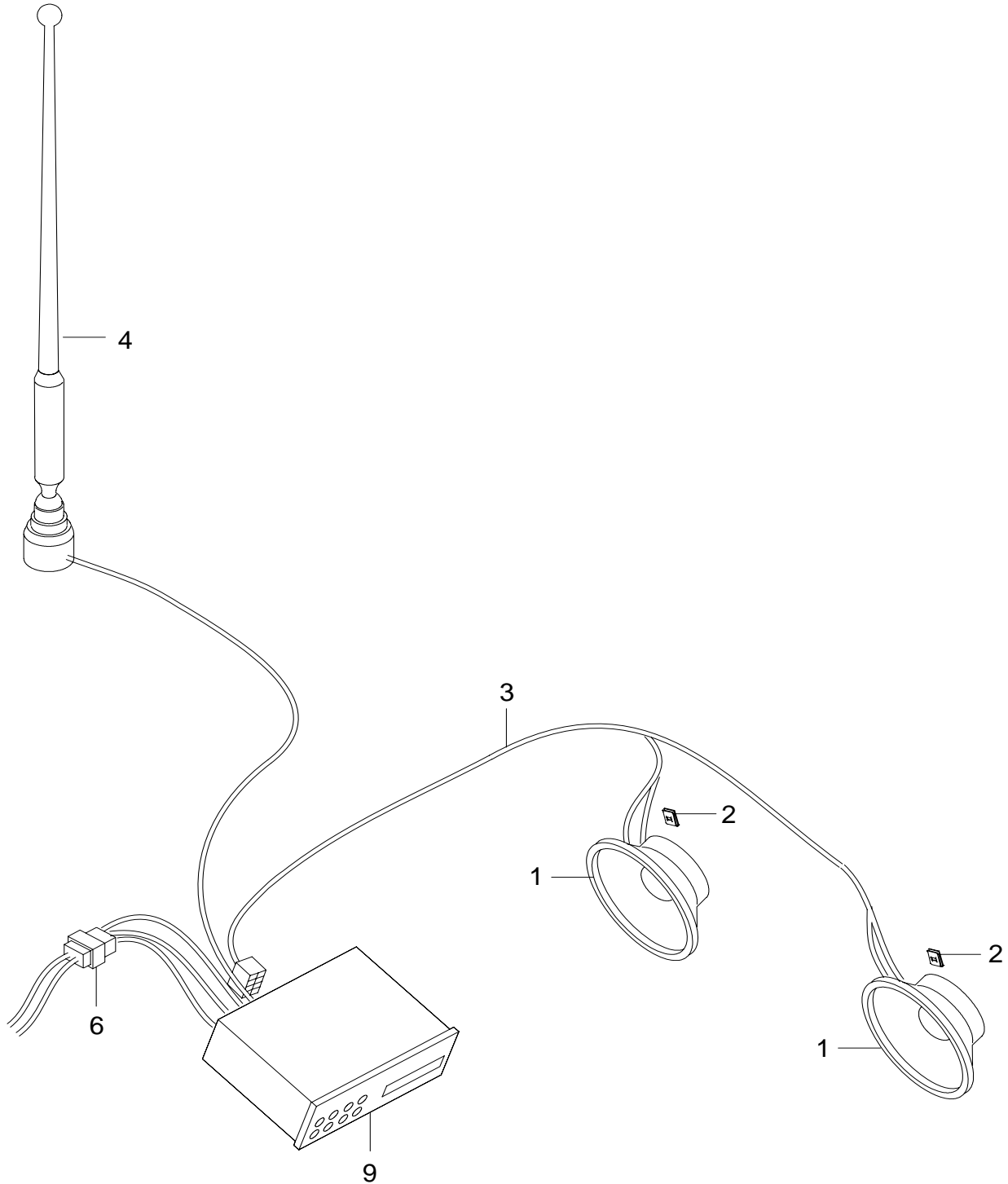
RADIO  
(EXTRAZUBEHÖR)

RADIO (EQUIPEMENT  
OPTIONNEL)

89-27

1.6.2007

T121c, T121h, T131c, T131h,  
T151eh, T151eLS, T161c, T161h,  
T161LS, T171c, T171h, T171LS,  
T191h, T191LS



SUUNNANVAIHTO-  
VIPU JA  
KOMBIKYTKIN  
(LISÄVARUSTE)

FRAM-  
BACKVÄXELSPAK  
OCH KOMBI-  
STRÖMSTÄLLARE  
(EXTRA  
UTRUSTNING)

F-R SHUTTLE LEVER  
AND COMBINED  
SWITCH (OPTIONAL  
EQUIPMENT)

WENDEGETRIEBE-  
HEBEL UND COMBI  
SCHALTER  
(EXTRAZUBEHÖR)

LEVIER D'INVERSEUR  
ET INTERRUPTEUR  
COMBINÉ  
(EQUIPEMENT  
OPTIONNEL)

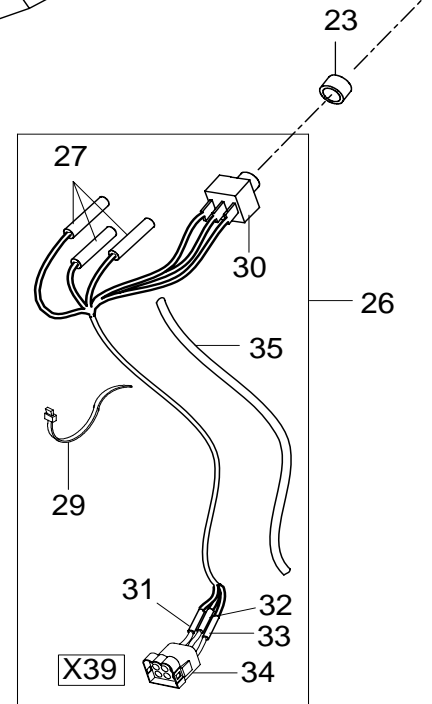
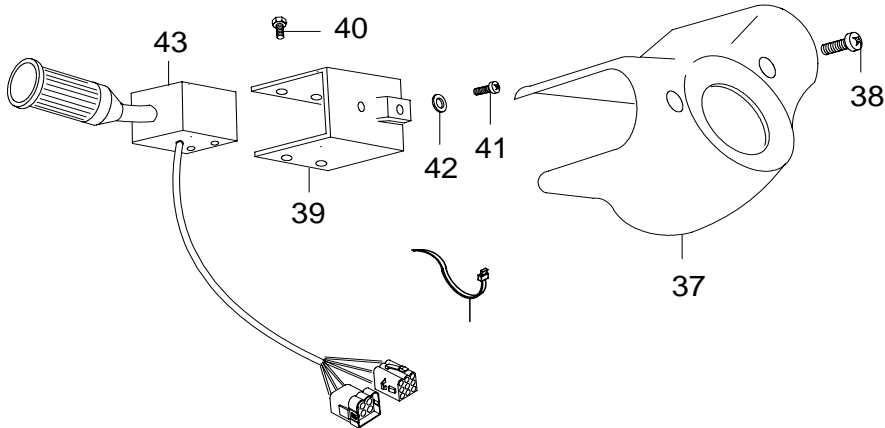
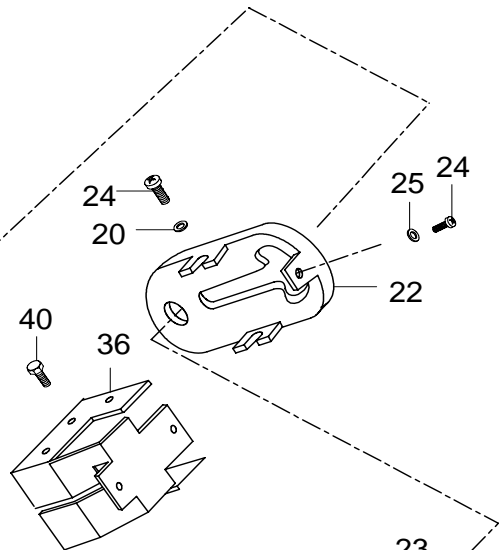
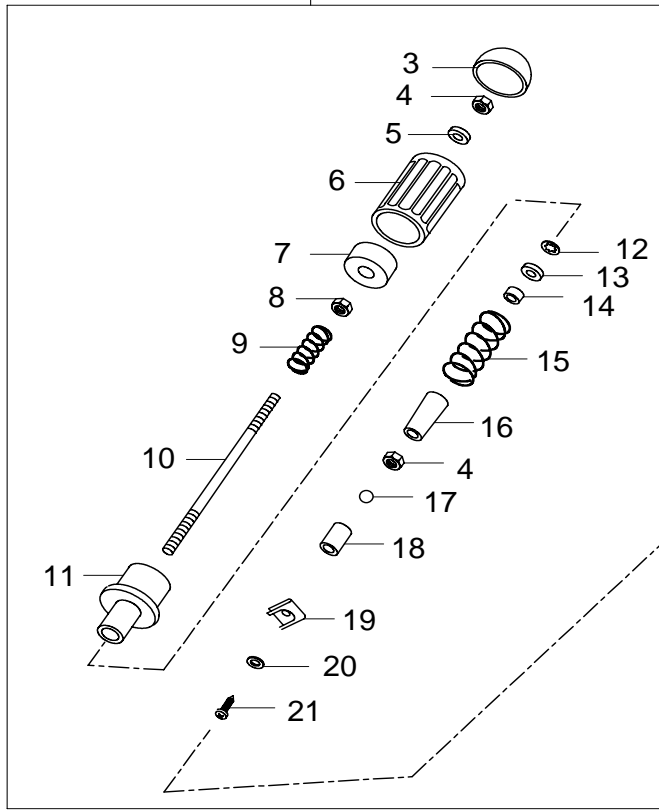
89-29

1.6.2007

T121h, T131h, T151eh, T151eLS,  
T161h, T161LS, T171h, T171LS,  
T191h, T191LS

1

2



X39

PÄÄVIRTAKYTKIN,  
SÄHKÖOHJATTU  
(LISÄVARUSTE)

HUVUD  
STRÖMBRYTARE,  
ELEKTRISK (EXTRA  
UTRUSTNING)

MAIN SWITCH,  
ELECTRIC  
(OPTIONAL  
EQUIPMENT)

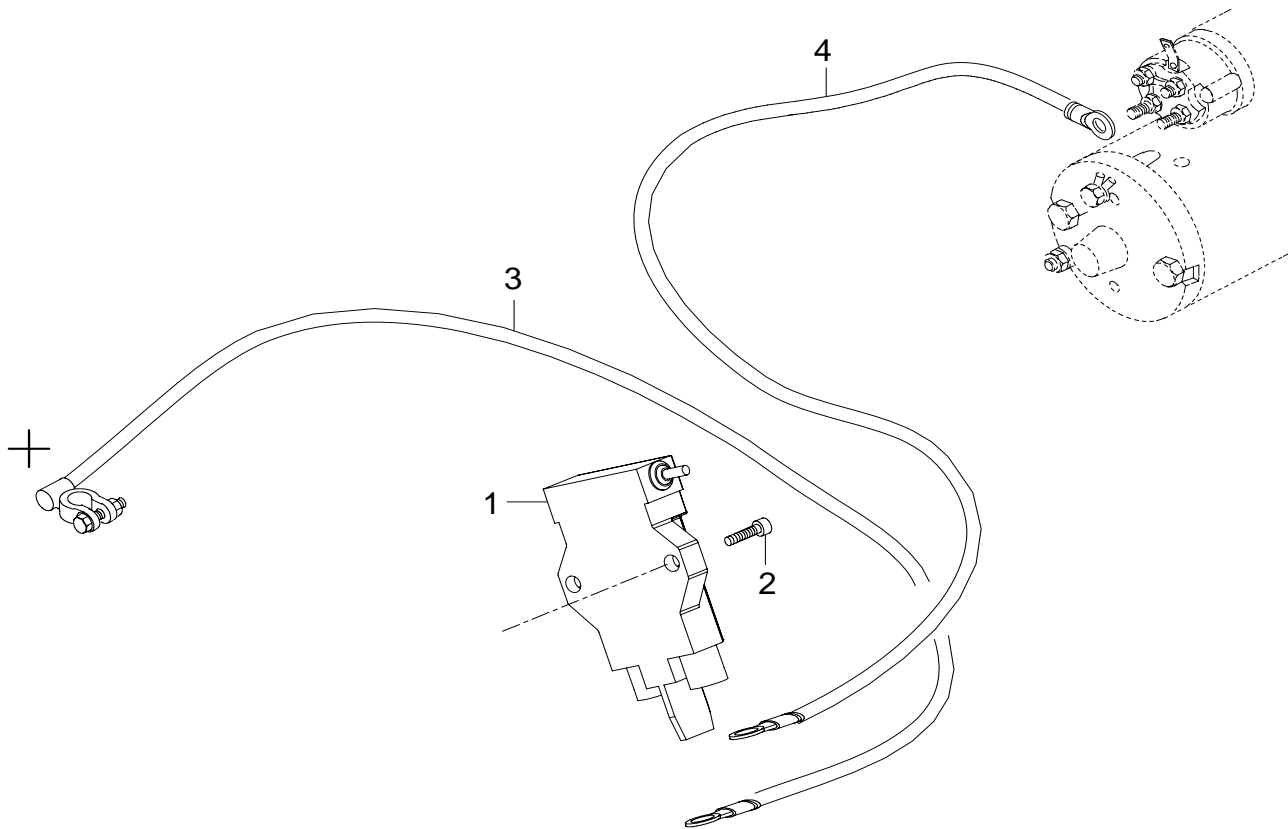
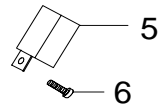
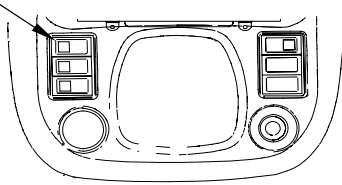
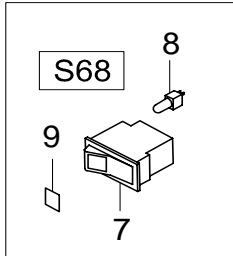
HAUPTSTROMSCHAL  
TER, ELEKTRISCH  
(EXTRAZUBEHÖR)

INTERRUPTEUR  
PRINCIPAL,  
ÉLECTRIQUE  
(EQUIPEMENT  
OPTIONNEL)

89-31

1.6.2007

T121c, T121h, T131c, T131h,  
T151eh, T151eLS, T161c, T161h,  
T161LS, T171c, T171h, T171LS,  
T191h, T191LS





SISÄTILAN LÄMMITIN  
(LISÄVARUSTE)

HYTTVÄRMÄRE  
(EXTRA  
UTRUSTNING)

CABIN HEATER  
(OPTIONAL  
EQUIPMENT)

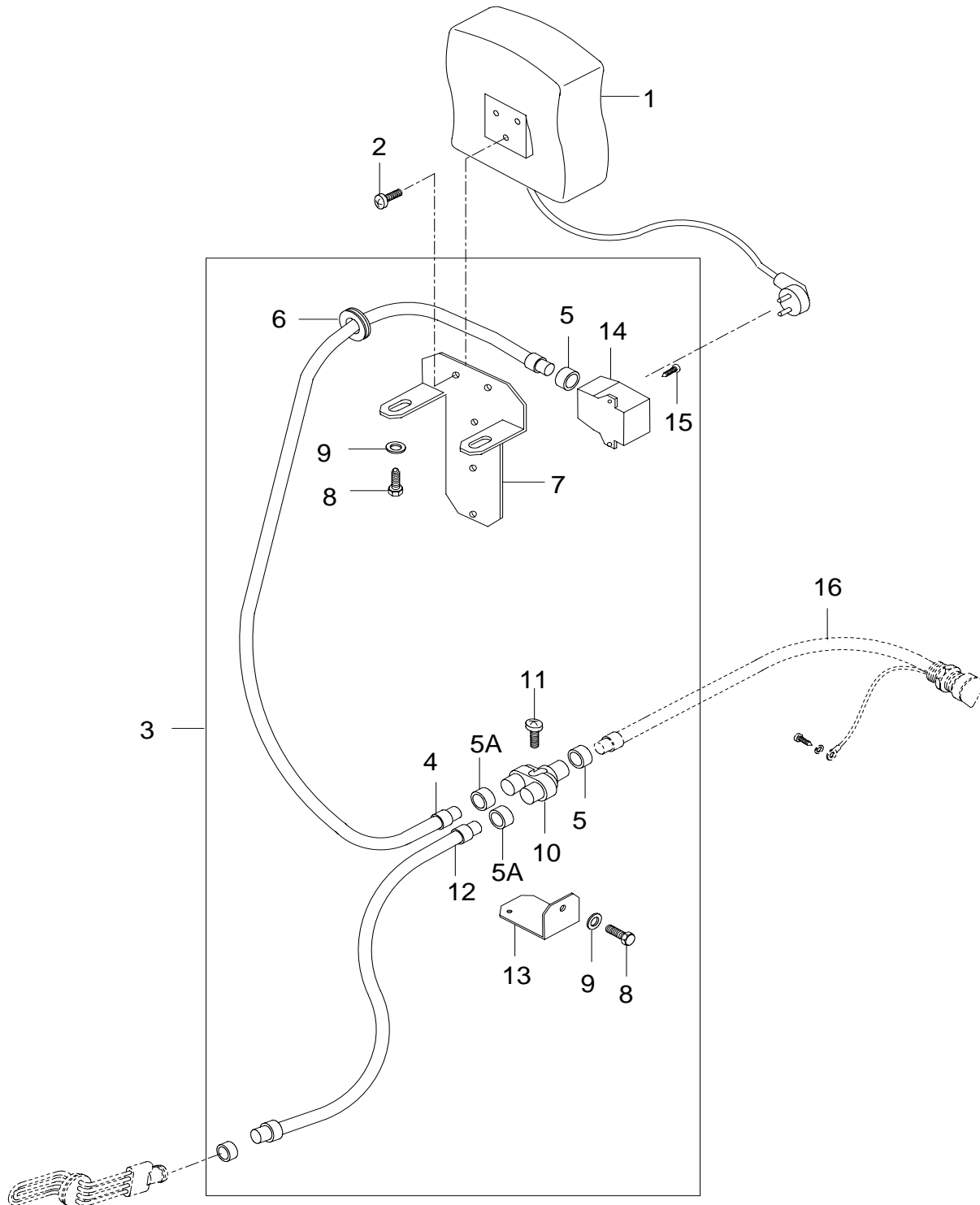
INNENHEIZUNG  
(EXTRAZUBEHÖR)

CHAUFFAGE DE LA  
CABINE  
(EQUIPEMENT  
OPTIONNEL)

89-33

1.6.2007

T121h, T131h, T151eh, T151eLS,  
T161h, T161LS, T171h, T171LS,  
T191h, T191LS



KATTOVILKKU  
(LISÄVARUSTE)

ROTERANDE  
VARN.LJUS (EXTRA  
UTRUSTNING)

ROTATING LIGHT  
(OPTIONAL  
EQUIPMENT)

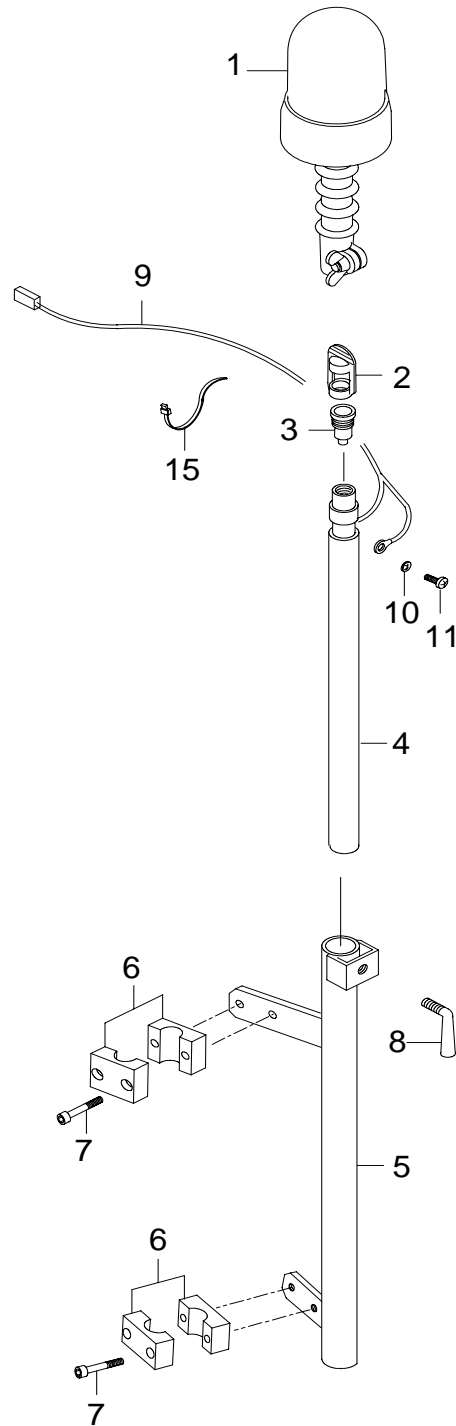
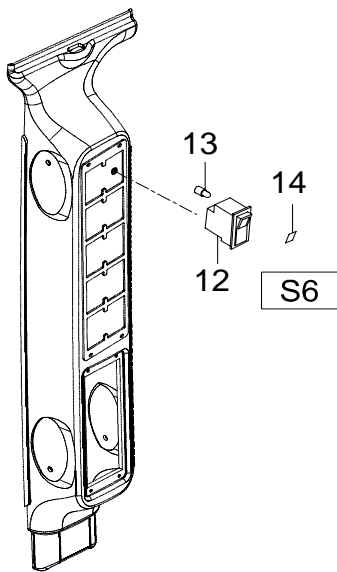
DREHWARNBLINKER  
(EXTRAZUBEHÖR)

GYROPHARE  
(EQUIPEMENT  
OPTIONNEL)

89-35

1.6.2007

T121c, T121h, T131c, T131h,  
T151eh, T151eLS, T161c, T161h,  
T161LS, T171c, T171h, T171LS,  
T191h, T191LS



KATTOVILKKU  
(LISÄVARUSTE)

ROTERANDE  
VARN.LJUS (EXTRA  
UTRUSTNING)

ROTATING LIGHT  
(OPTIONAL  
EQUIPMENT)

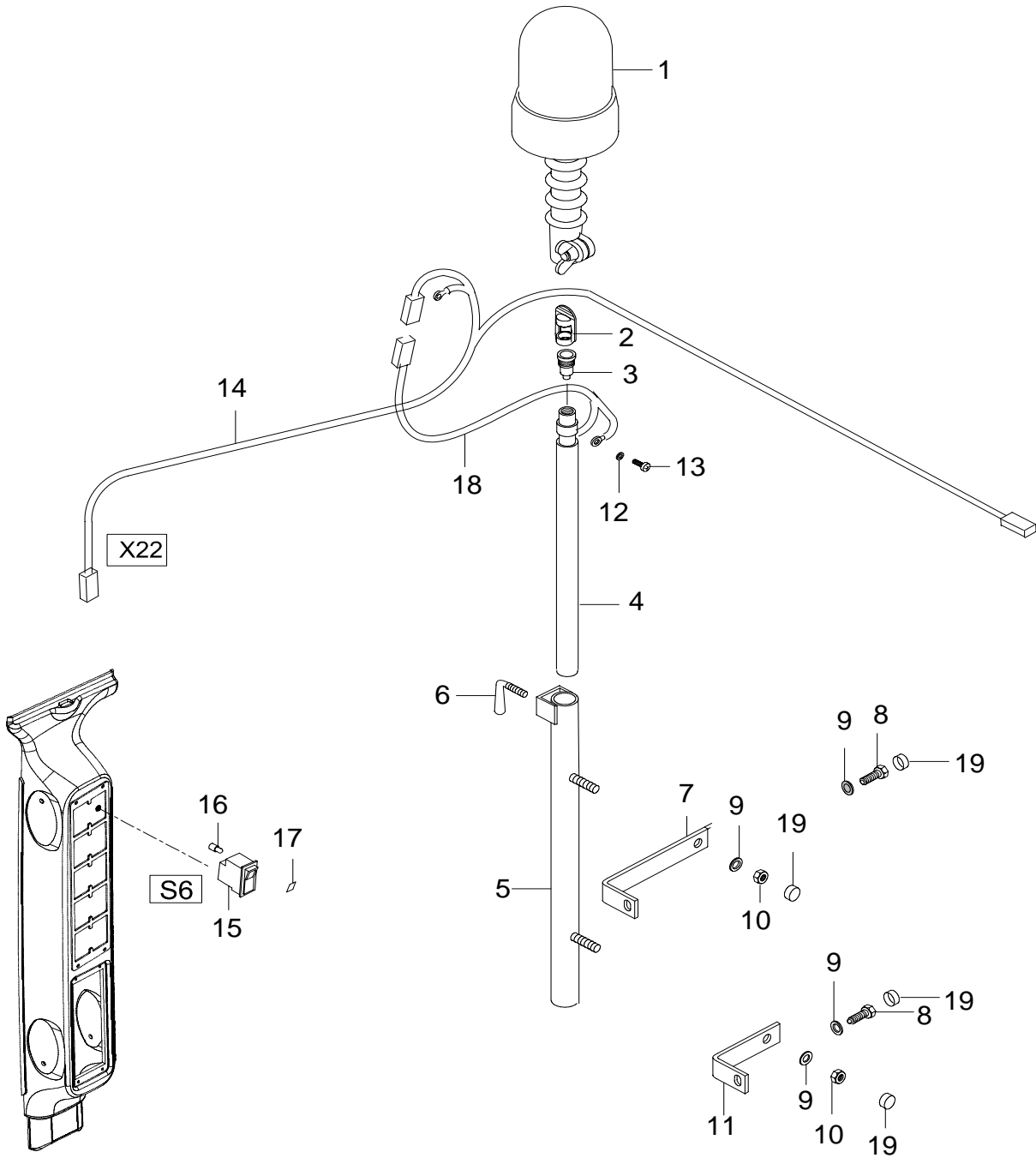
DREHWARNBLINKER  
(EXTRAZUBEHÖR)

GYROPHARE  
(EQUIPEMENT  
OPTIONNEL)

89-37

1.6.2007

T121c, T121h, T131c, T131h,  
T151eh, T151eLS, T161c, T161h,  
T161LS, T171c, T171h, T171LS,  
T191h, T191LS



KATTOVILKKU  
(LISÄVARUSTE)

ROTERANDE  
VARN.LJUS (EXTRA  
UTRUSTNING)

ROTATING LIGHT  
(OPTIONAL  
EQUIPMENT)

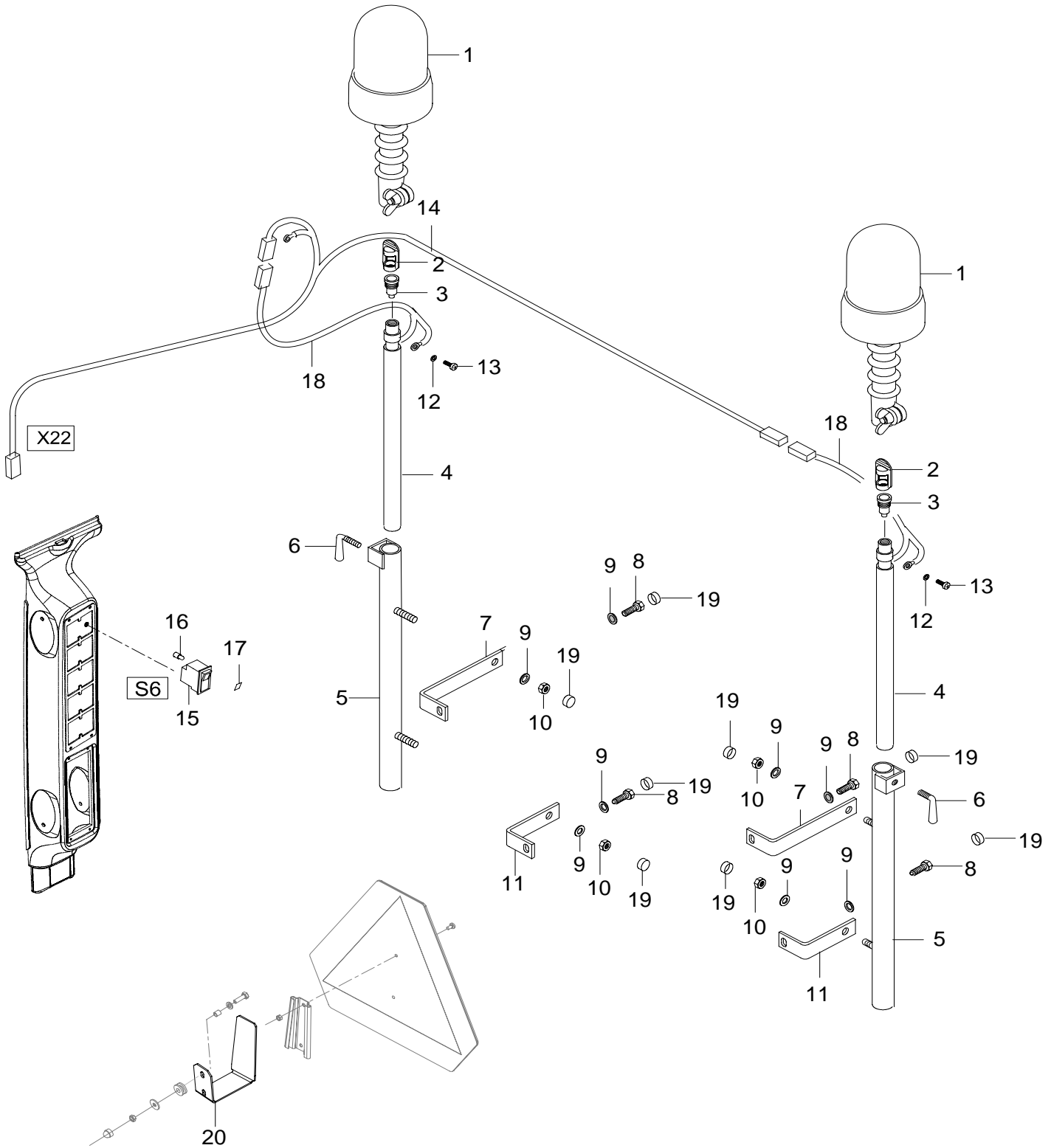
DREHWARNBLINKER  
(EXTRAZUBEHÖR)

GYROPHARE  
(EQUIPEMENT  
OPTIONNEL)

89-39

1.6.2007

T121c, T121h, T131c, T131h,  
T151eh, T151eLS, T161c, T161h,  
T161LS, T171c, T171h, T171LS,  
T191h, T191LS



YLÄJOVALOT  
(LISÄVARUSTE)

ÖVER FÄRDLJUS  
(EXTRA  
UTRUSTNING)

UPPER HEADLIGHTS  
(OPTIONAL  
EQUIPMENT)

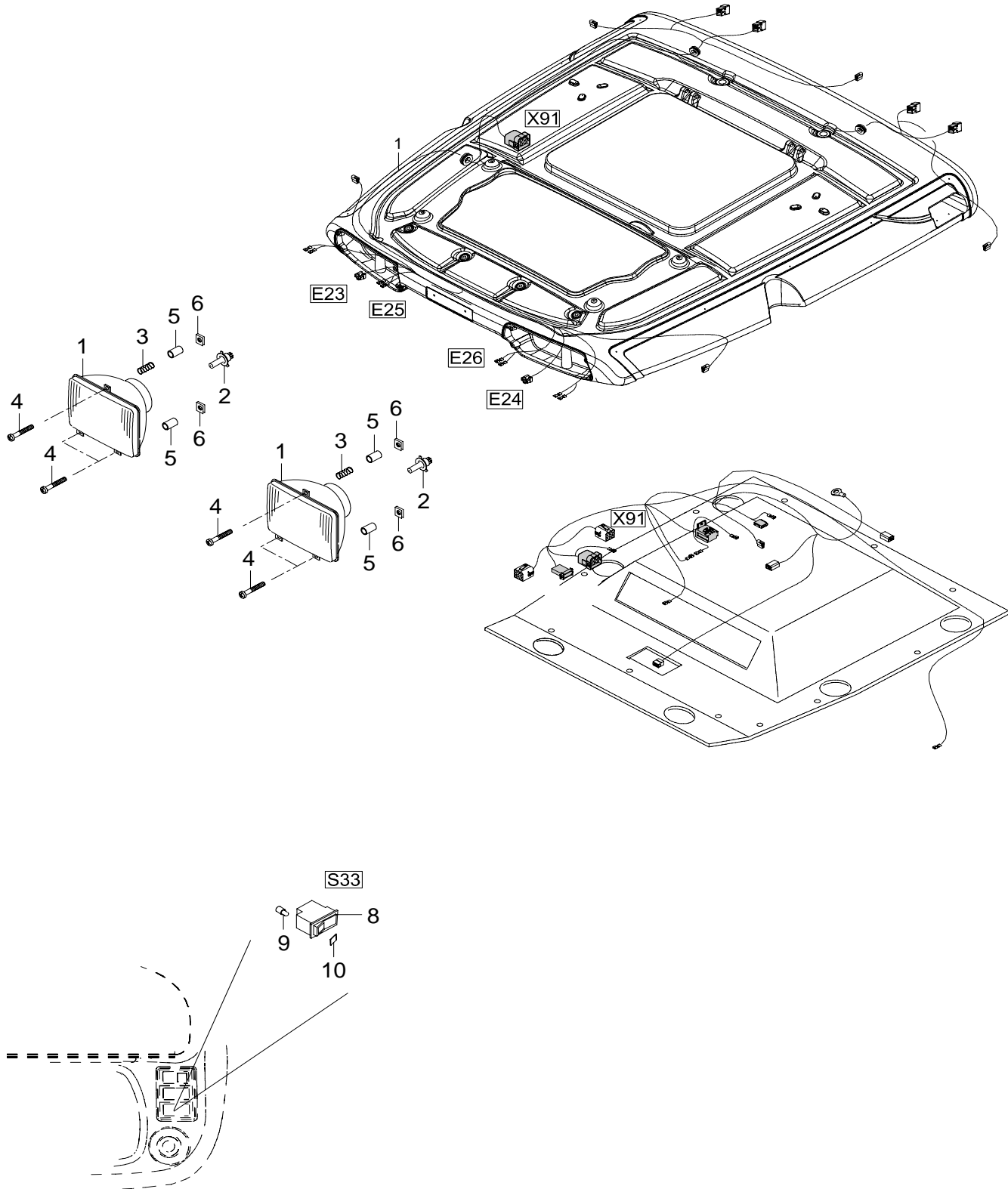
OBERE  
SCHEINWERFER  
(EXTRAZUBEHÖR)

PHARES  
SUPERIEURS  
(EQUIPEMENT  
OPTIONNEL)

89-41

1.6.2007

T121c, T121h, T131c, T131h,  
T151eh, T151eLS, T161c, T161h,  
T161LS, T171c, T171h, T171LS,  
T191h, T191LS



YLÄJOVALOT,  
FOREST  
(LISÄVARUSTE)

ÖVER FÄRDLJUS,  
FOREST (EXTRA  
UTRUSTNING)

UPPER HEADLIGHTS,  
FOREST (OPTIONAL  
EQUIPMENT)

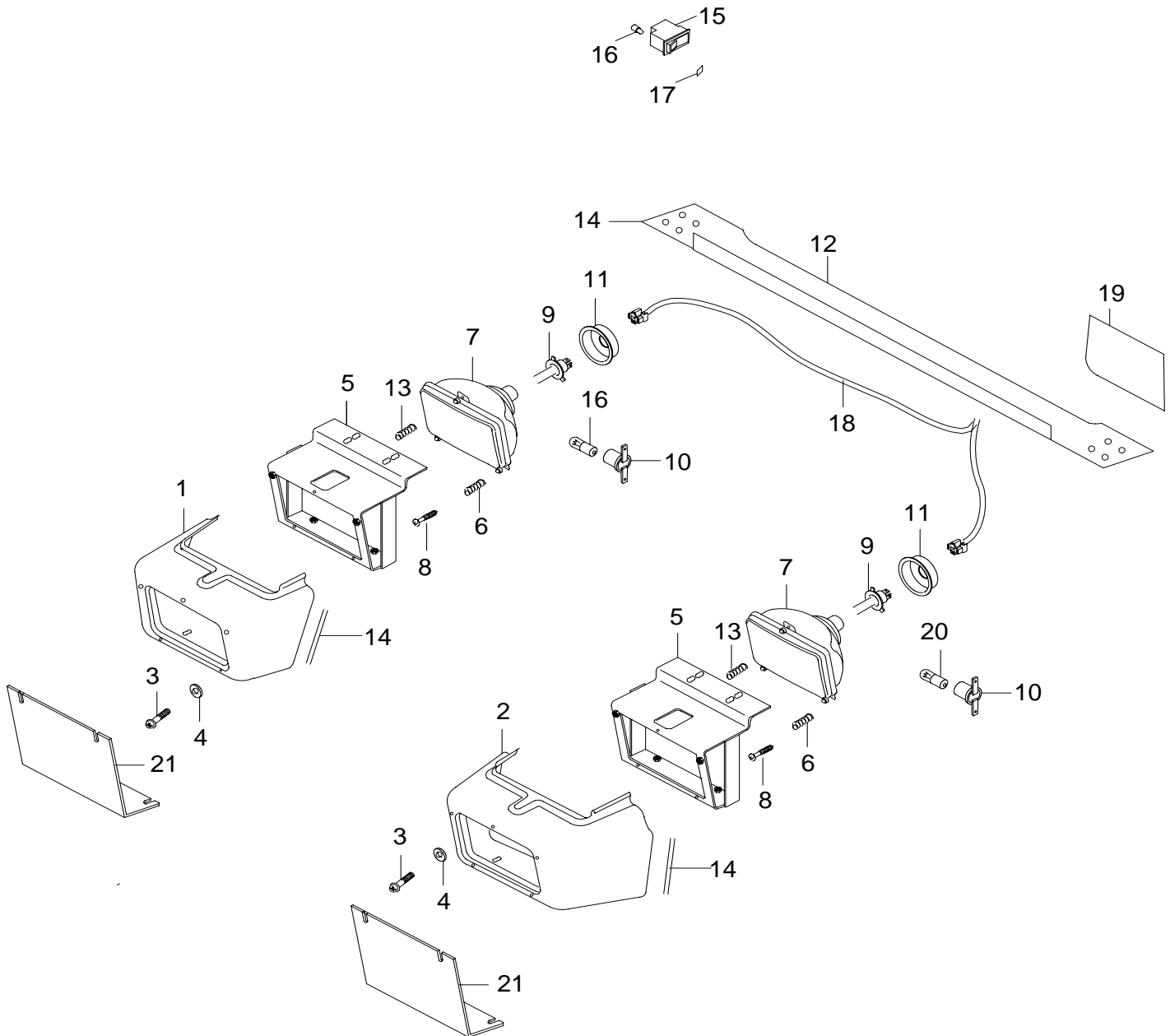
OBERE  
SCHEINWERFER,  
FOREST  
(EXTRAZUBEHÖR)

PHARES  
SUPERIEURS,  
FOREST  
(EQUIPEMENT  
OPTIONNEL)

89-43

1.6.2007

T121c, T121h, T131c, T131h,  
T151eh, T151eLS, T161c, T161h,  
T161LS, T171c, T171h, T171LS,  
T191h, T191LS



LISÄVALOT  
(LISÄVARUSTE)

EXTRA BELYSNING  
(EXTRA  
UTRUSTNING)

EXTRA LIGHTS  
(OPTIONAL  
EQUIPMENT)

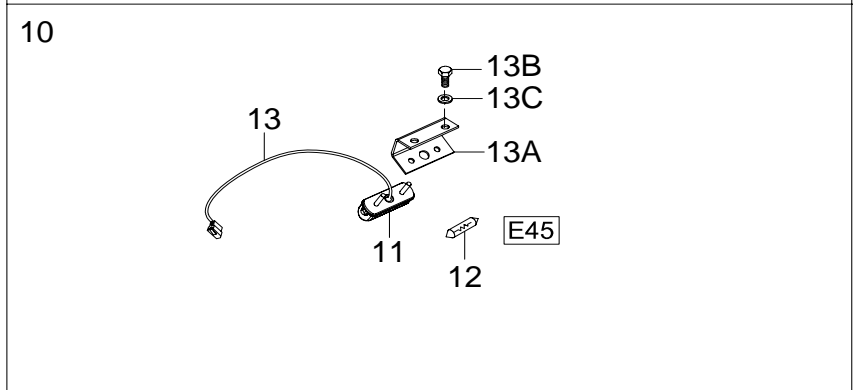
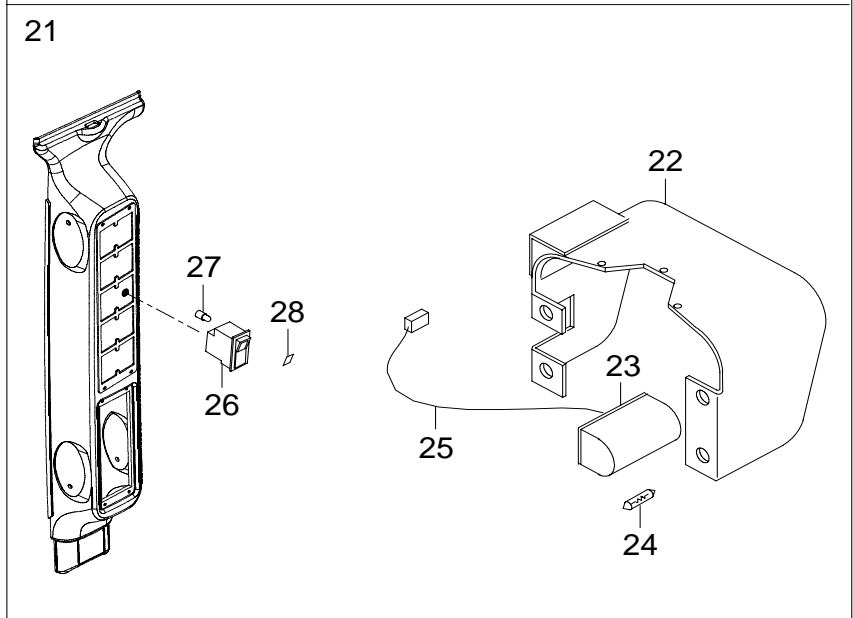
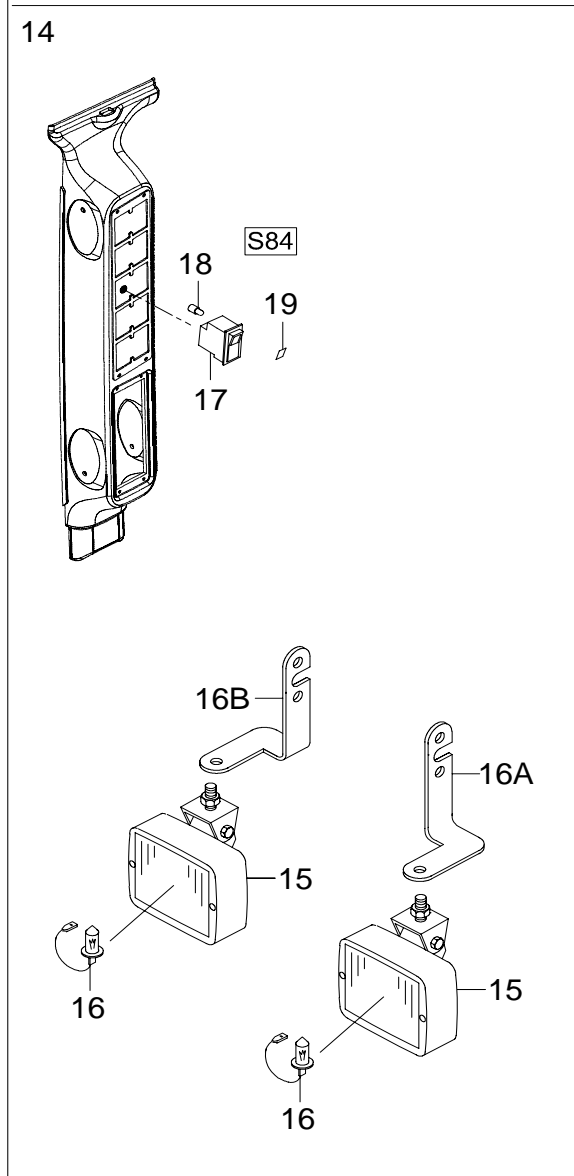
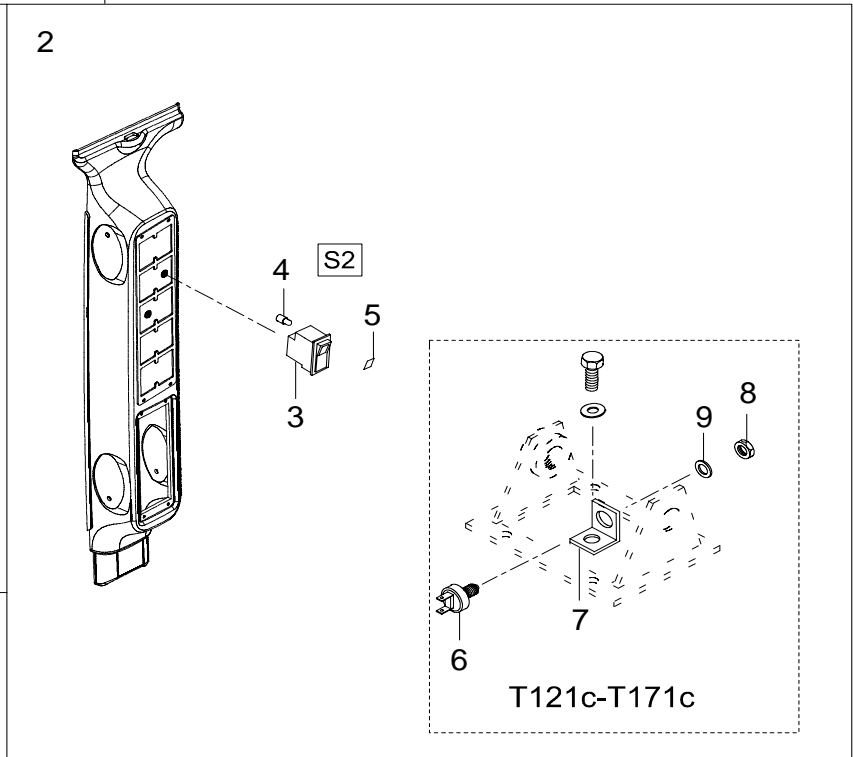
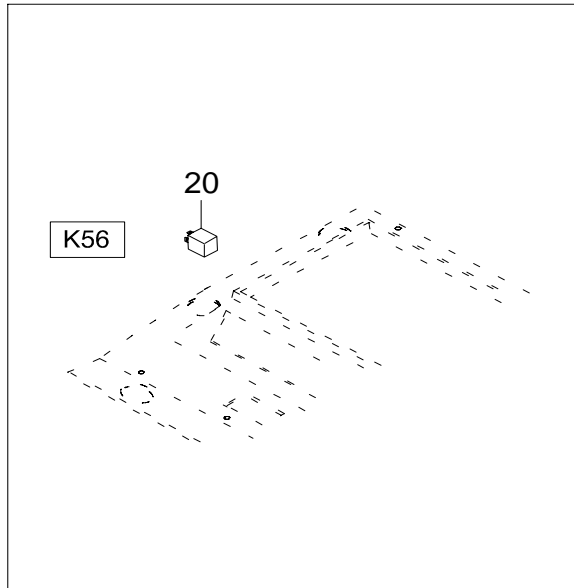
EXTRA  
BELEUCHTUNGSSCH  
ALTER  
(EXTRAZUBEHÖR)

LES PHARES  
SUPPLÉMENTAIRES  
(EQUIPEMENT  
OPTIONNEL)

89-45

1.6.2007

T121c, T121h, T131c, T131h,  
T151eh, T151eLS, T161c, T161h,  
T161LS, T171c, T171h, T171LS,  
T191h, T191LS



TYÖVALOT XENON  
(LISÄVARUSTE)

ARBETSLJUS XENON  
(EXTRA  
UTRUSTNING)

WORKING LIGHTS  
XENON (OPTIONAL  
EQUIPMENT)

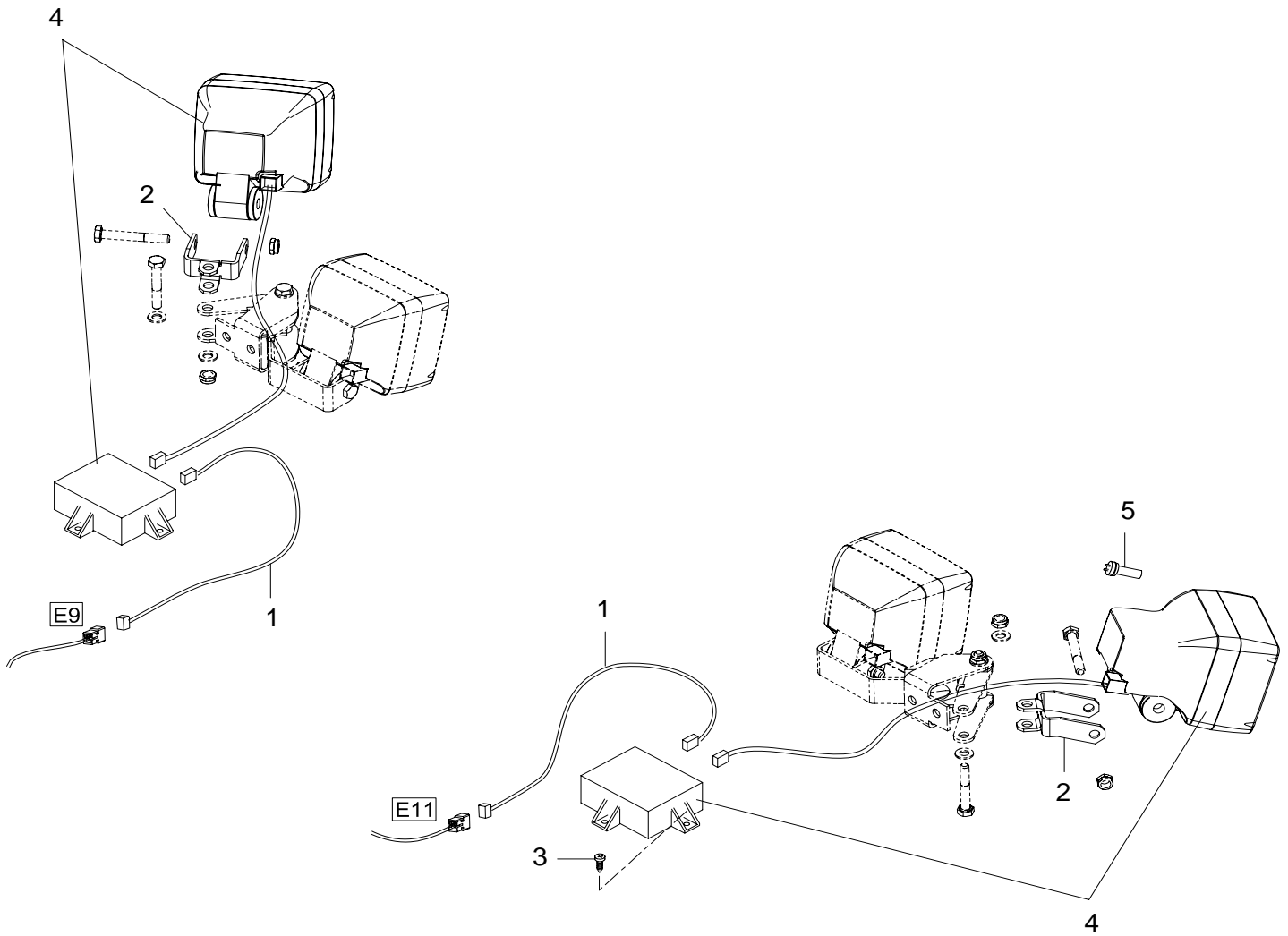
ARBEITSLICHTER  
XENON  
(EXTRAZUBEHÖR)

FEUX DE TRAVAIL  
XENON  
(EQUIPEMENT  
OPTIONNEL)

89-47

1.6.2007

T121c, T121h, T131c, T131h,  
T151eh, T151eLS, T161c, T161h,  
T161LS, T171c, T171h, T171LS,  
T191h, T191LS





TUNNUSKILVEN  
VALO  
(LISÄVARUSTE)

NUMMERBELYSNING  
(EXTRA  
UTRUSTNING)

LIGHT, NUMBER  
PLATE (OPTIONAL  
EQUIPMENT)

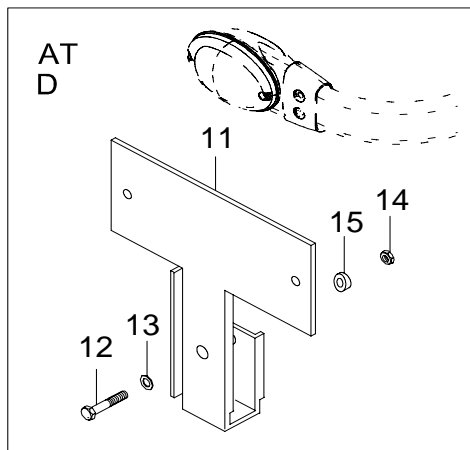
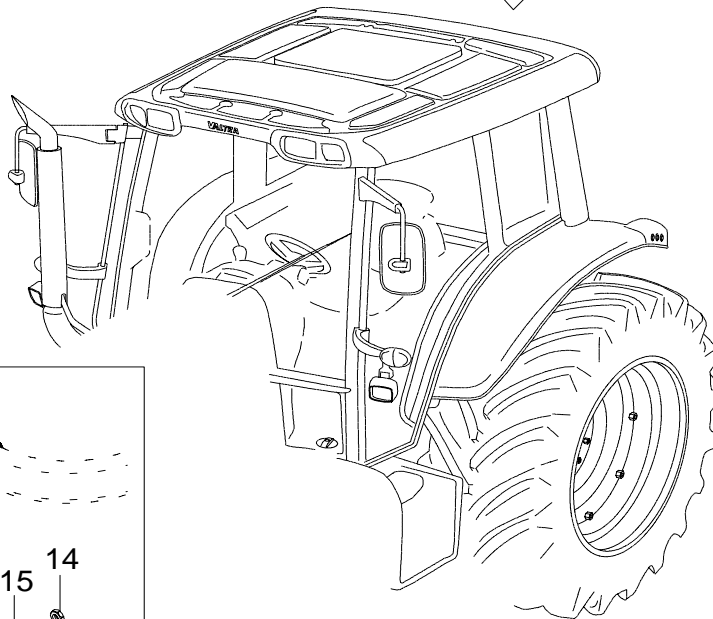
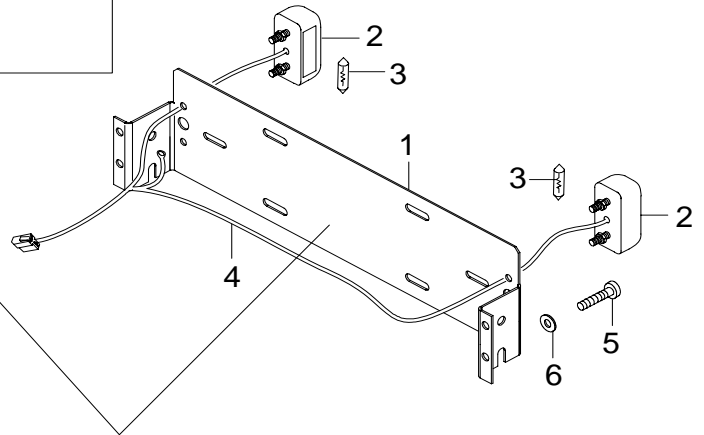
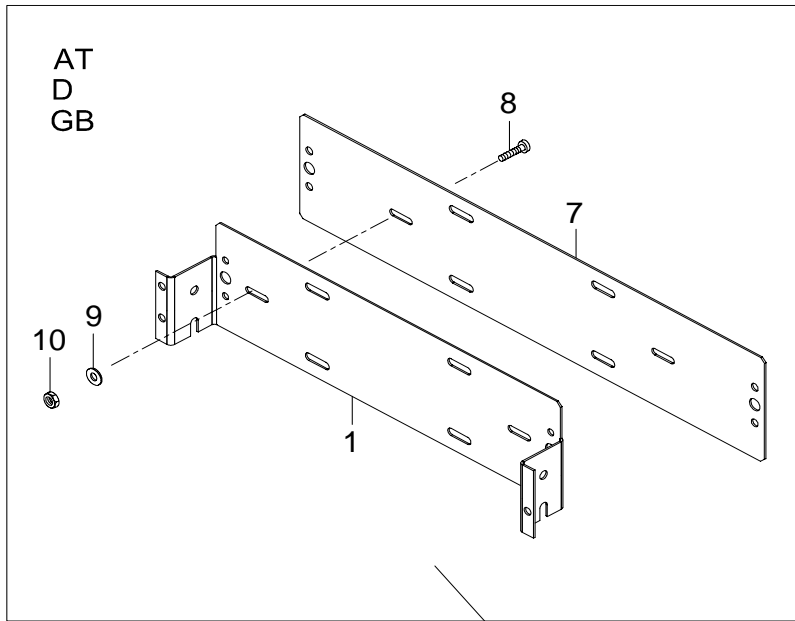
LICHT,  
NUMMERSCHILD  
(EXTRAZUBEHÖR)

FEU, PLAQUE  
D'IMMATICULATION  
(EQUIPEMENT  
OPTIONNEL)

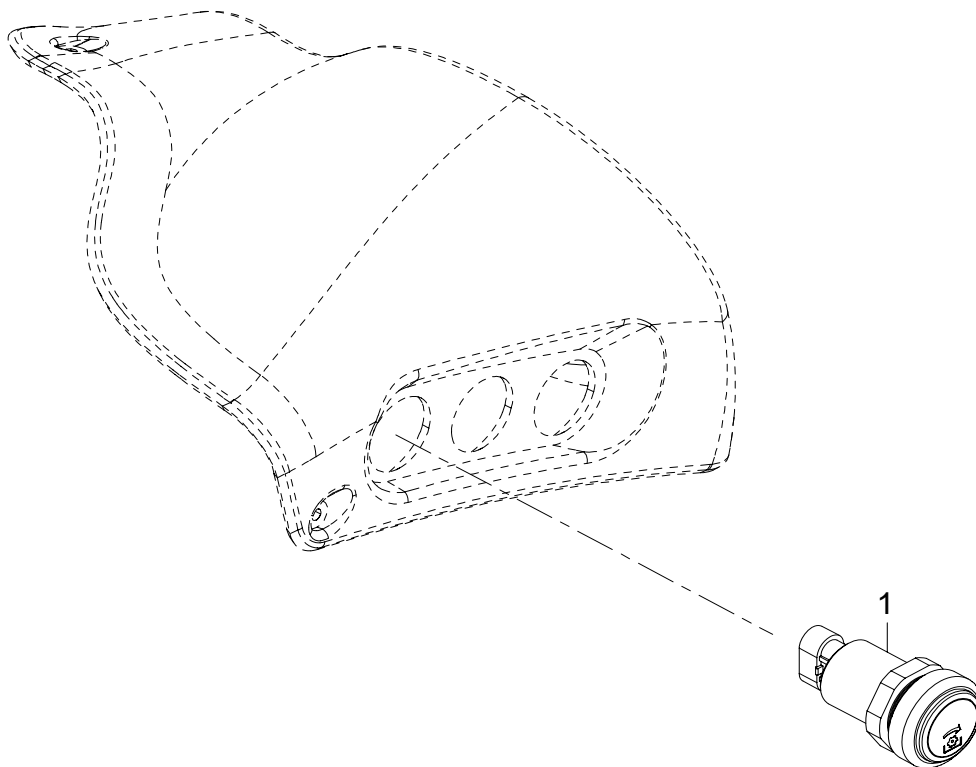
89-49

1.6.2007

T121c, T121h, T131c, T131h,  
T151eh, T151eLS, T161c, T161h,  
T161LS, T171c, T171h, T171LS,  
T191h, T191LS



PTO- TAKAKÄYNNISTYS/P YSÄYTYS (LISÄVARUSTE)	KRAFTUTTAG, YTTRE PTO REAR MANÖVRERING (EXTRA UTRUSTNING)	START/STOP (OPTIONAL EQUIPMENT)	ZAPFWELLE START/STOP, HINTEN (EXTRAZUBEHÖR)	DÉMARRAGE ARRIÈRE/ARRÊT DE LA PF (EQUIPEMENT OPTIONNEL)	89-51  1.6.2007 T121h, T131h, T151eh, T151eLS, T161h, T161LS, T171h, T171LS, T191h, T191LS
------------------------------------------------------	--------------------------------------------------------------------	---------------------------------------	---------------------------------------------------	------------------------------------------------------------------	-----------------------------------------------------------------------------------------------------------



# VALTRA

PISTORASIA  
(LISÄVARUSTE)

STICKDOSA (EXTRA  
UTRUSTNING)

PLUG SOCKET  
(OPTIONAL  
EQUIPMENT)

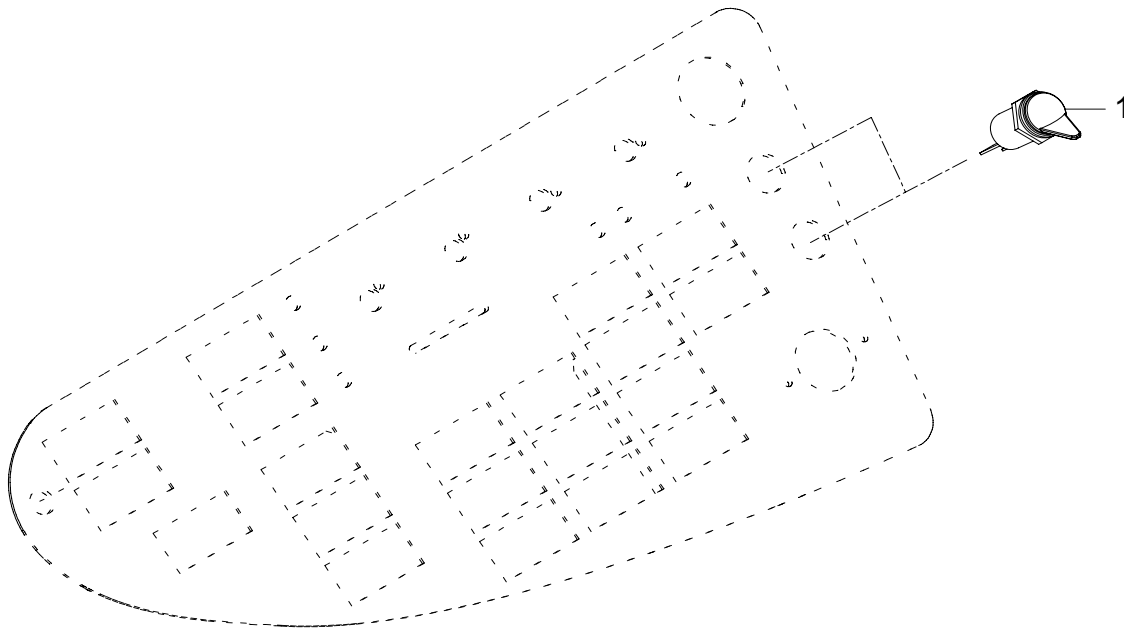
STECKDOSE  
(EXTRAZUBEHÖR)

PRISE (EQUIPEMENT  
OPTIONNEL)

89-53

1.6.2007

T121c, T121h, T131c, T131h,  
T151eh, T161c, T161h, T171c,  
T171h, T191h



PERUUTUSSUMMERI  
(LISÄVARUSTE)

BACKSUMMER  
(EXTRA  
UTRUSTNING)

BACKBUZZER  
(OPTIONAL  
EQUIPMENT)

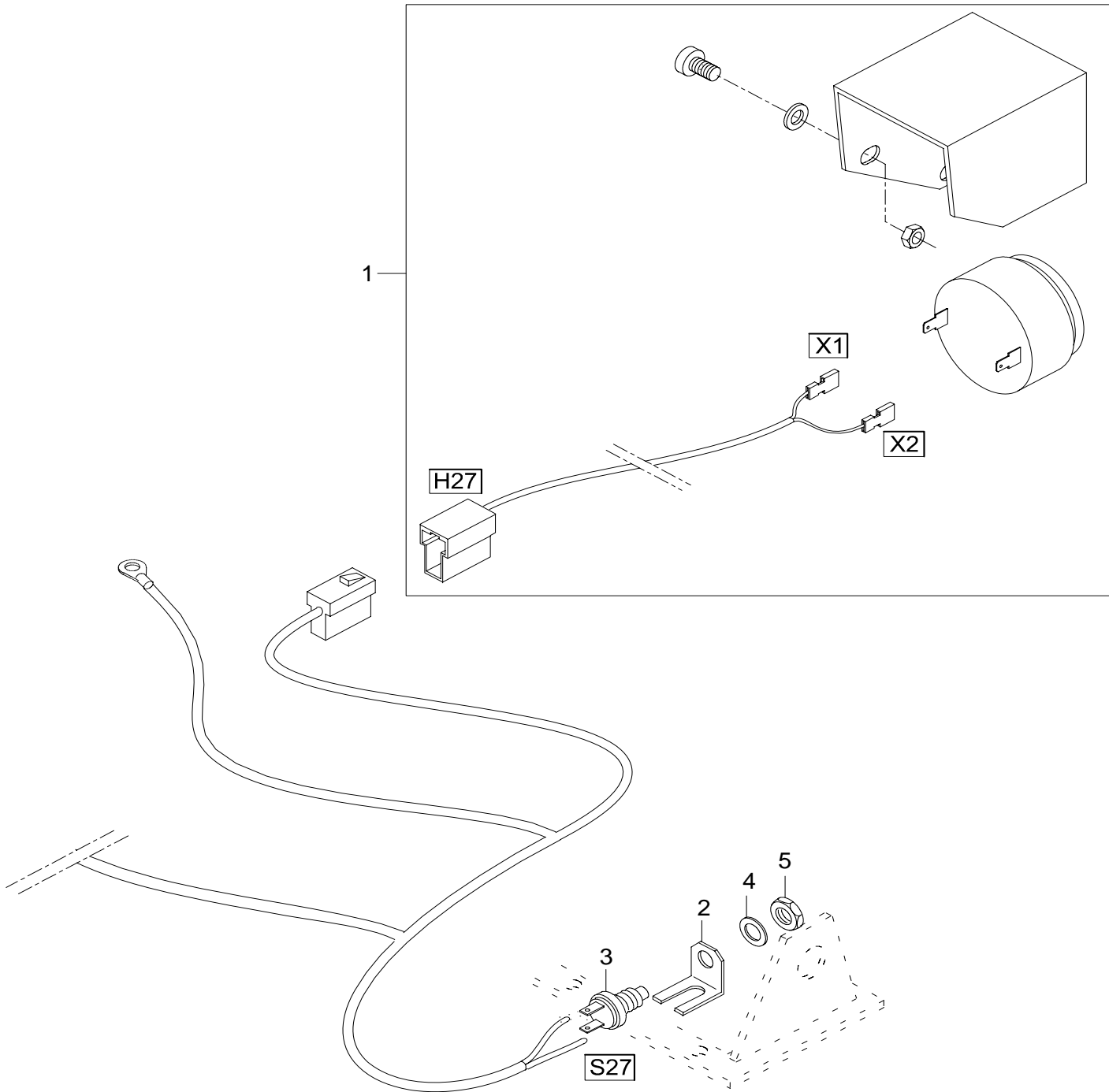
RÜCKFAHRSUMMER  
(EXTRAZUBEHÖR)

BUZZER ARRIERE  
(EQUIPEMENT  
OPTIONNEL)

89-55

1.6.2007

T121c, T121h, T131c, T131h,  
T151eh, T151eLS, T161c, T161h,  
T161LS, T171c, T171h, T171LS,  
T191h, T191LS



LISÄILMANSUODIN  
(LISÄVARUSTE)

EXTRALUFTFILTER  
(EXTRA  
UTRUSTNING)

EXTRA AIR FILTER  
(OPTIONAL  
EQUIPMENT)

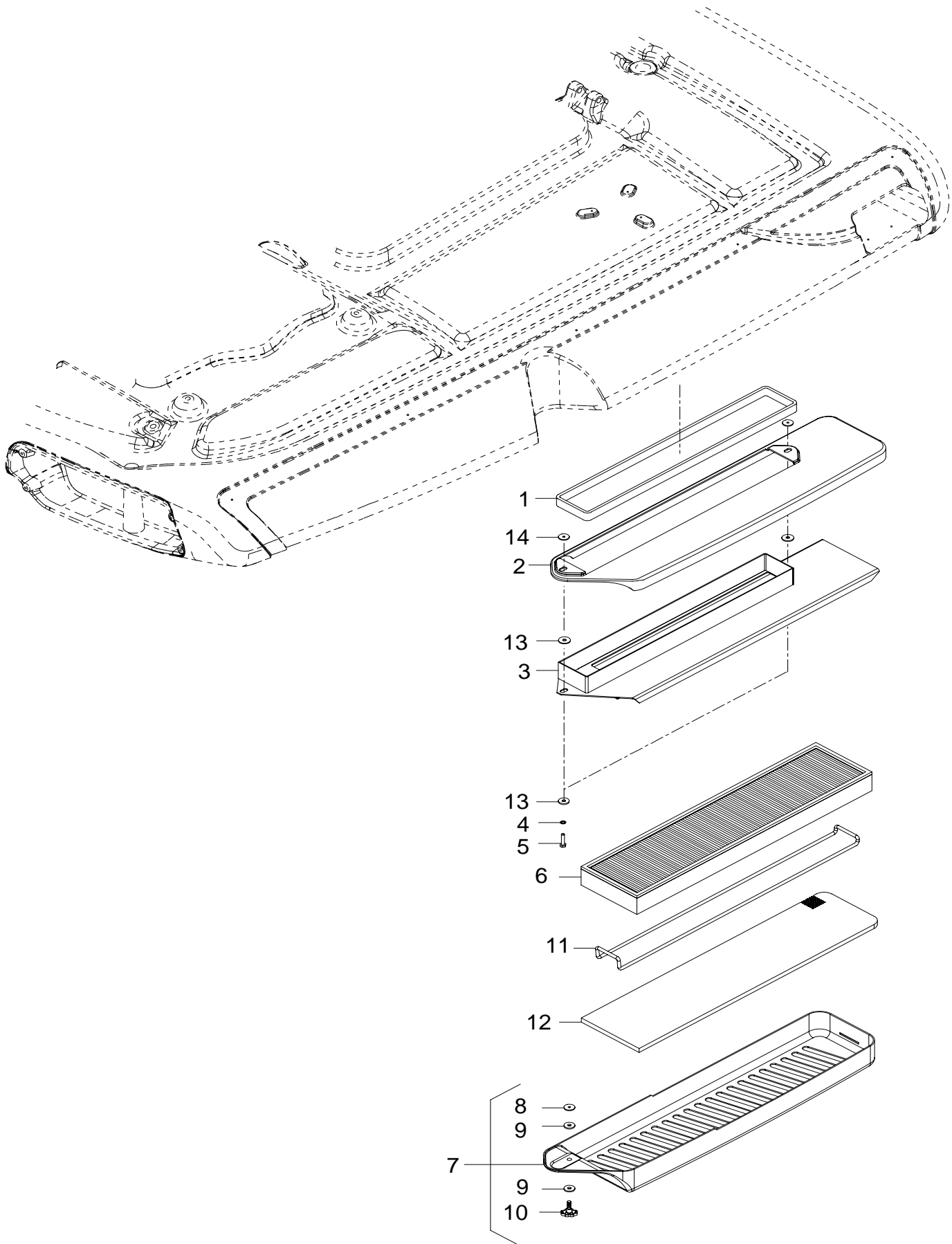
EXTRALUFTFILTER  
(EXTRAZUBEHÖR)

FILTRE À AIR  
SUPPLÉMENTAIRE  
(EQUIPEMENT  
OPTIONNEL)

89-57

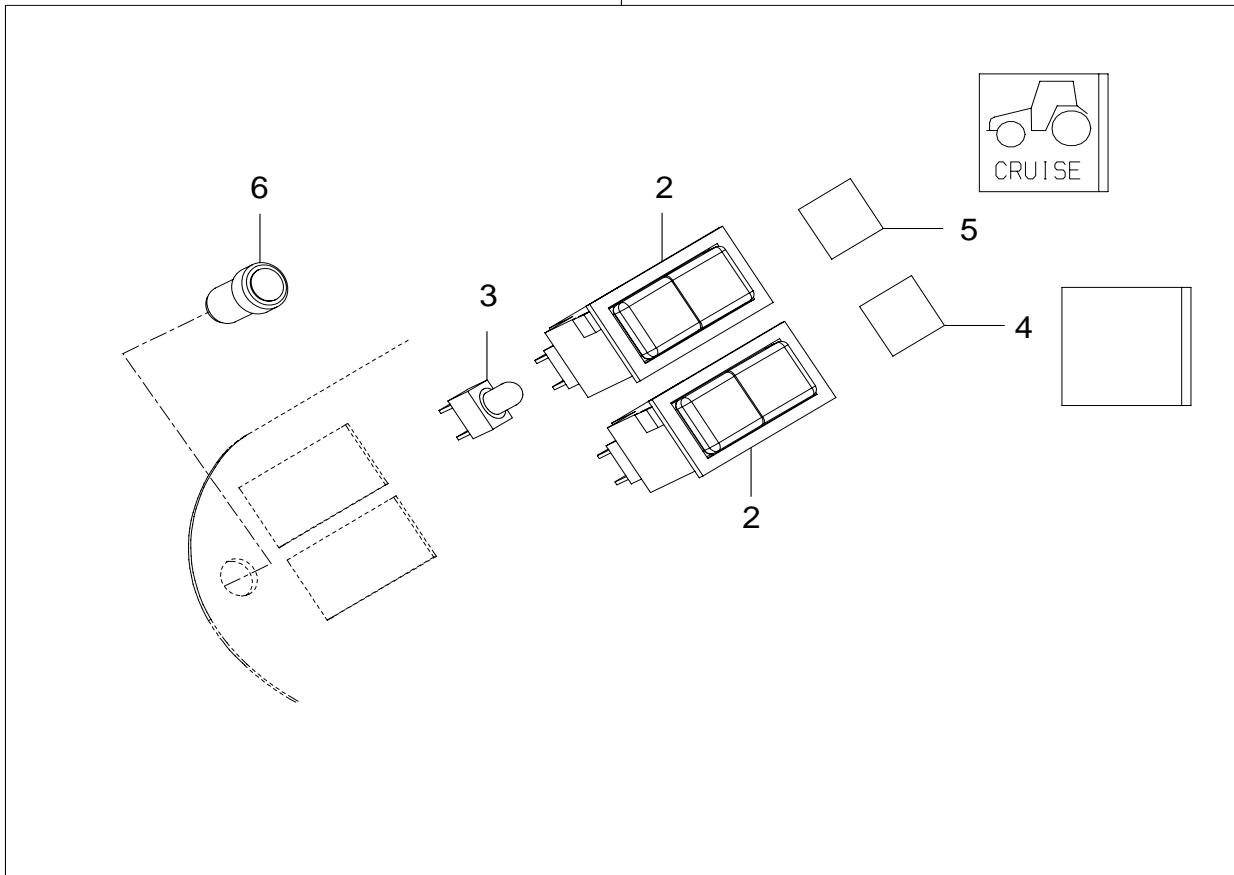
1.6.2007

T121c, T121h, T131c, T131h,  
T151eh, T151eLS, T161c, T161h,  
T161LS, T171c, T171h, T171LS,  
T191h, T191LS



VAKIONOPEUSSÄÄDIN (LISÄVARUSTE)	KONSTANT HASTIGHET REGULATOR (EXTRA UTRUSTNING)	CONSTANT SPEED REGULATOR (OPTIONAL EQUIPMENT)	KONSTANTE FAHRT REGULATOR (EXTRAZUBEHÖR)	RÉGULATEUR DE VITESSE CONSTANTE (EQUIPEMENT OPTIONNEL)	89-59 1.6.2007 T121c, T121h, T131c, T131h, T151eh, T161c, T161h, T171c, T171h, T191h
---------------------------------	-------------------------------------------------	-----------------------------------------------	------------------------------------------	--------------------------------------------------------	--------------------------------------------------------------------------------------------

1



ALALÄMMITYSLAITE  
(LISÄVARUSTE)

NEDRE VÄRMARE  
(EXTRA  
UTRUSTNING)

CAB LOWER HEATER  
(OPTIONAL  
EQUIPMENT)

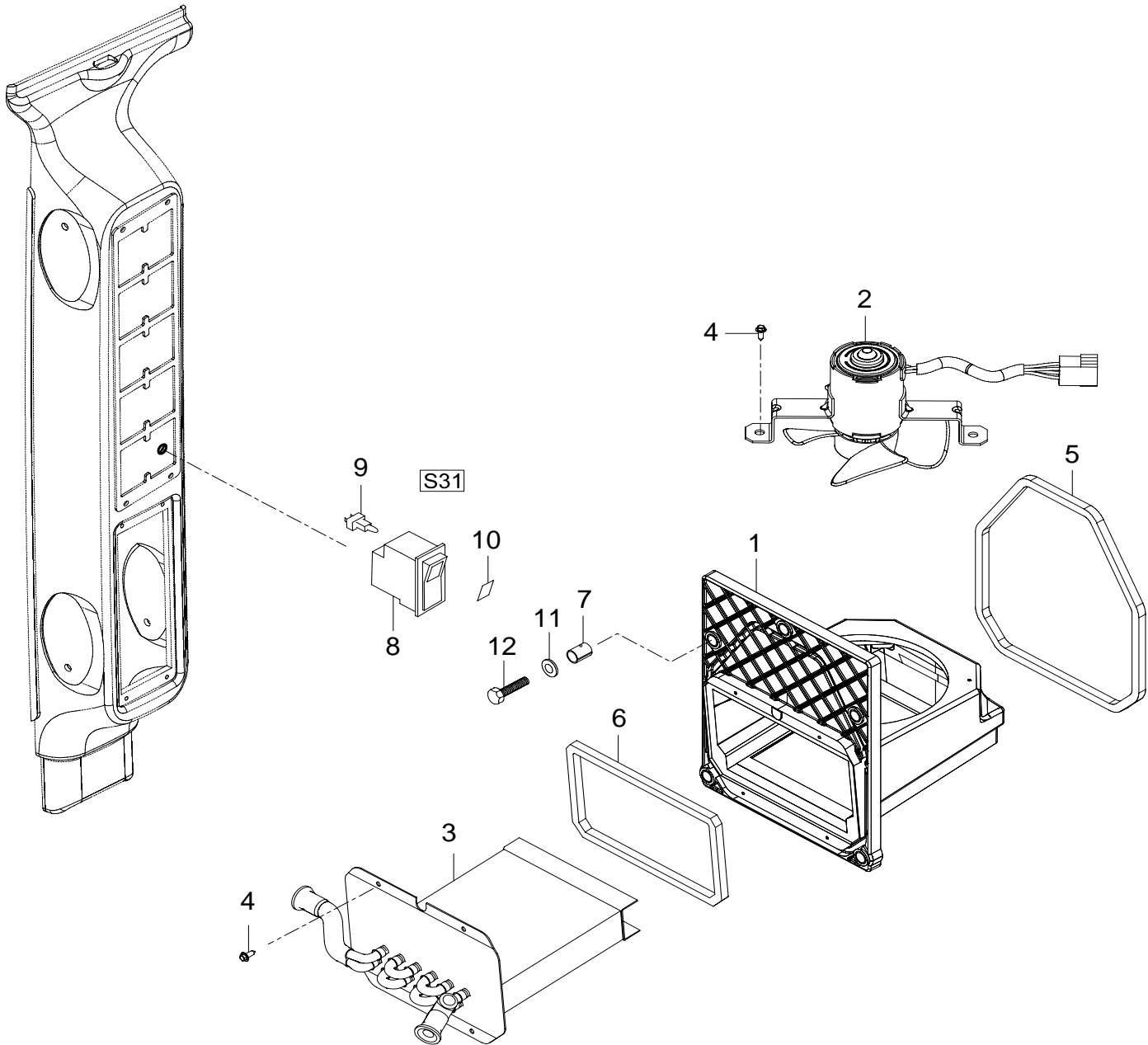
BODENHEIZUNG  
(EXTRAZUBEHÖR)

CHAUFFAGE  
INFÉRIEUR  
(EQUIPEMENT  
OPTIONNEL)

89-61

1.6.2007

T121c, T121h, T131c, T131h,  
T151eh, T151eLS, T161c, T161h,  
T161LS, T171c, T171h, T171LS,  
T191h, T191LS



TYÖKONESIGNAALILI ANSLUTNING AV  
ITYNTÄ  
(LISÄVARUSTE)

REDSKAP SIGNAL  
(EXTRA  
UTRUSTNING)

IMPLEMENT SIGNAL  
INTERFACE  
(OPTIONAL  
EQUIPMENT)

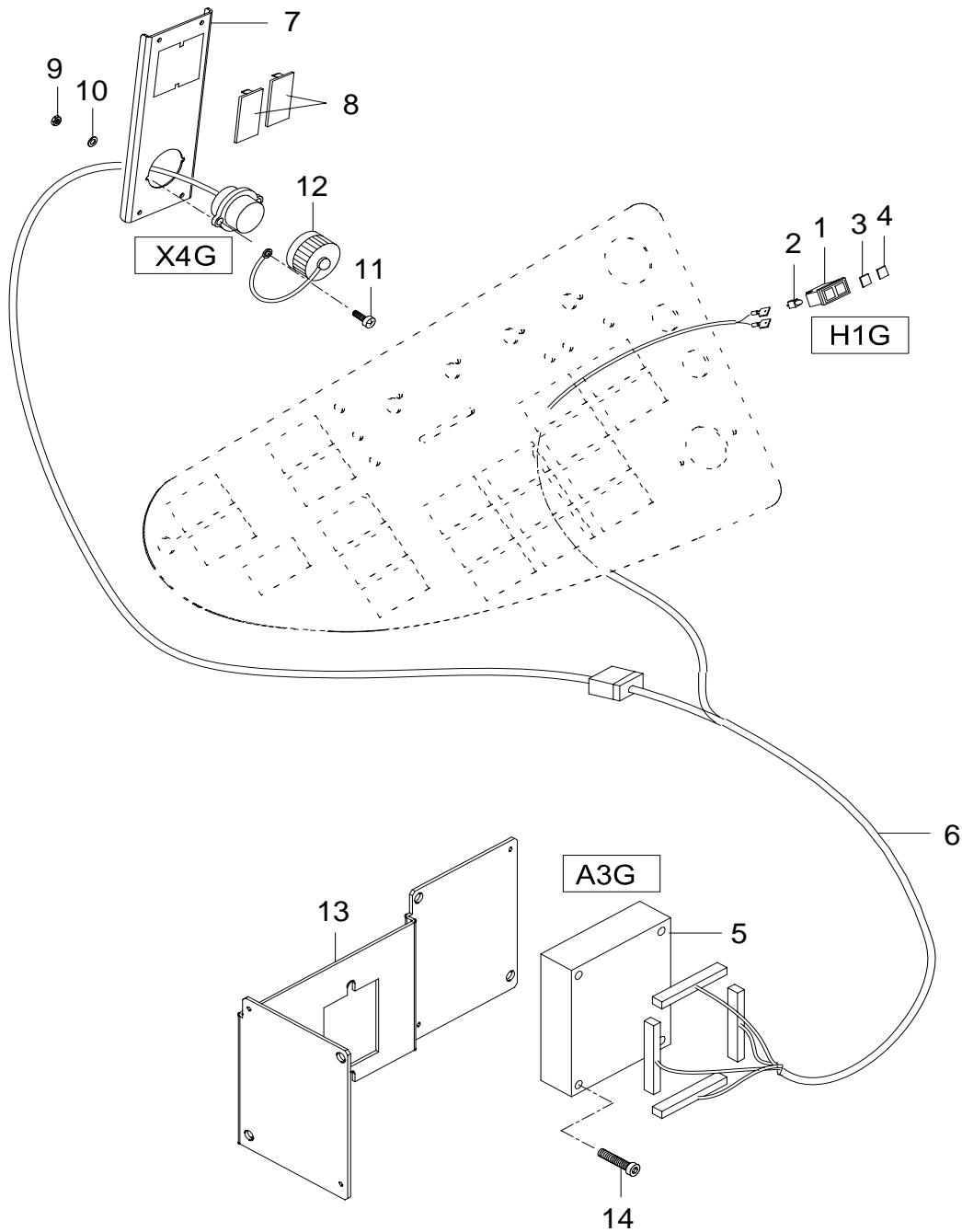
ANSCHLUSS FÜR  
ARBEITSGERÄTESIG  
NAL  
(EXTRAZUBEHÖR)

INTERFACE DE  
SIGNALED'OUTIL  
(EQUIPEMENT  
OPTIONNEL)

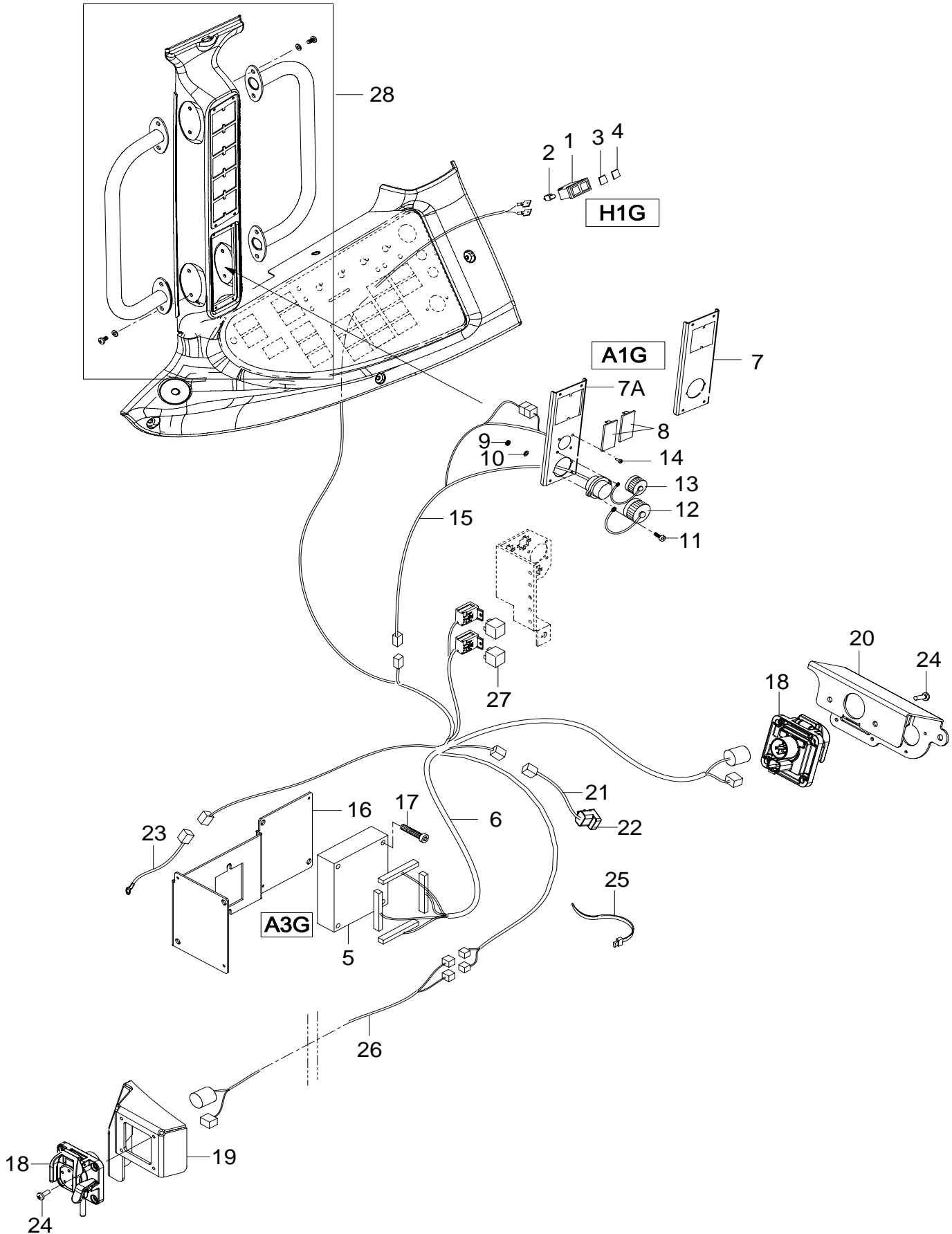
89-63

1.6.2007

T121c, T121h, T131c, T131h,  
T151eh, T151eLS, T161c, T161h,  
T161LS, T171c, T171h, T171LS,  
T191h, T191LS







OHJAAMON  
JOUSITUS  
(LISÄVARUSTE)

HYTT FJÄDRING  
(EXTRA  
UTRUSTNING)

CAB SUSPENSION  
(EQUIPMENT)

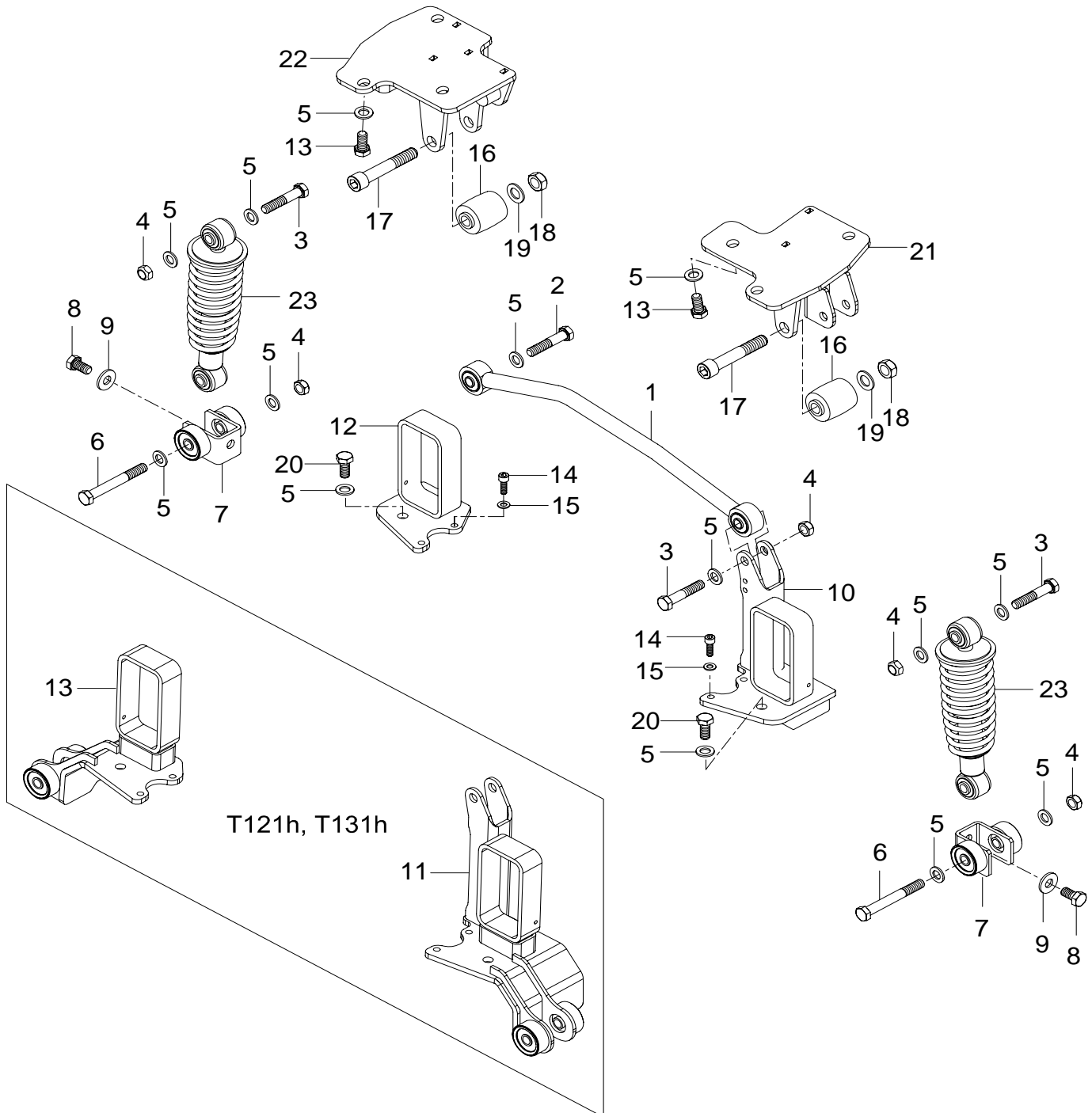
KABINENFEDERUNG  
(EXTRAZUBEHÖR)

CABINE SUSPENSION  
(EQUIPEMENT  
OPTIONNEL)

89-67

1.6.2007

T121h, T131h, T151eh, T151eLS,  
T161h, T161LS, T171h, T171LS,  
T191h, T191LS



TELINE,  
NÄYTTÖLAITE  
(LISÄVARUSTE)

KONSOL,  
TECKENFÖNSTER  
(EXTRA  
UTRUSTNING)

BRACKET, DISPLAY  
UNIT (OPTIONAL  
EQUIPMENT)

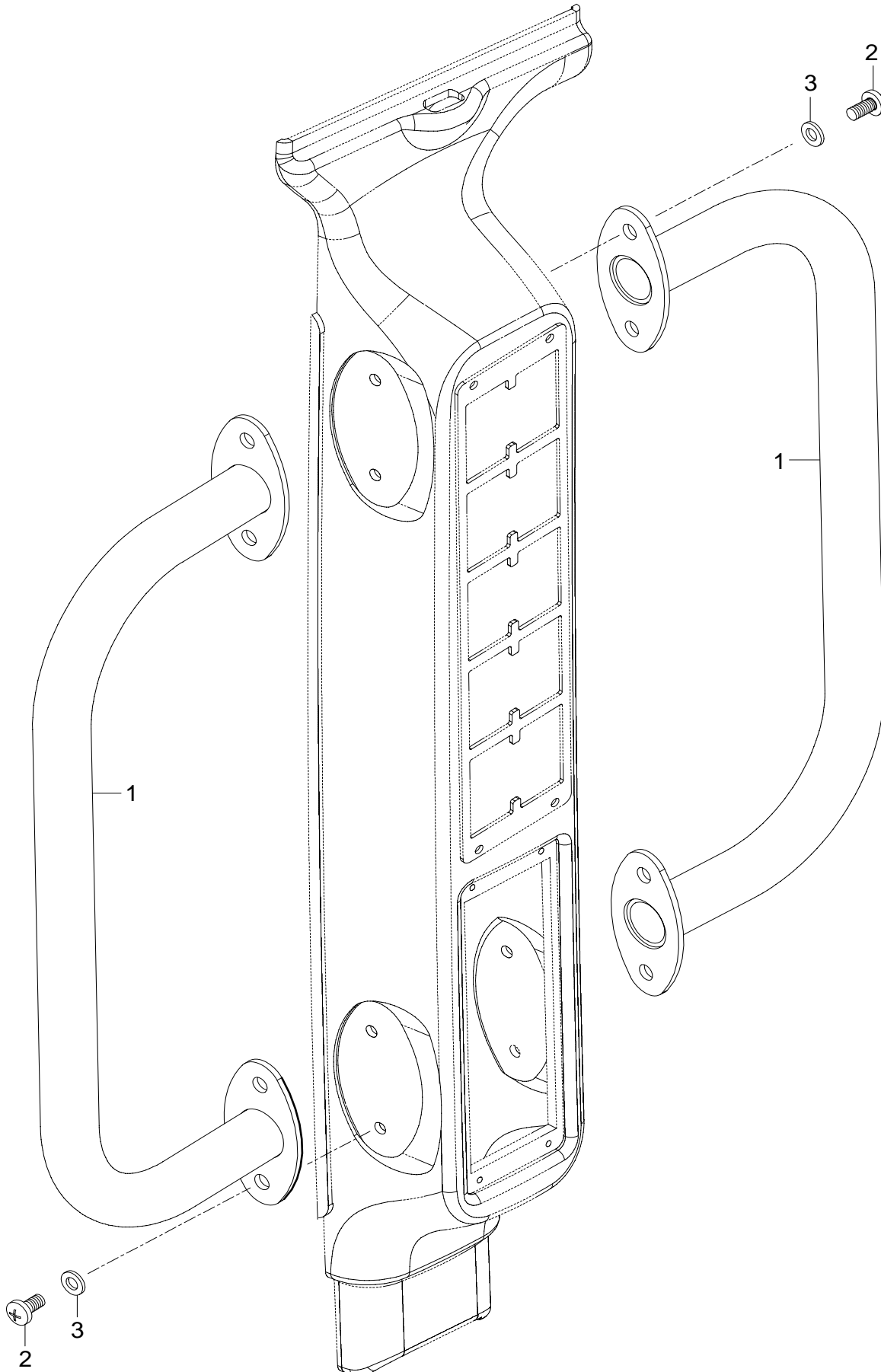
GESTELL,  
BILDSCHIRM  
(EXTRAZUBEHÖR)

SUPPORT,  
AFFICHAGE  
(EQUIPEMENT  
OPTIONNEL)

89-69

1.6.2007

T121h, T131h, T151eh, T151eLS,  
T161h, T161LS, T171h, T171LS,  
T191h, T191LS



ENSIAPULAUKKU  
(LISÄVARUSTE)

FÖRSTHJÄLPSVÄSK  
A (EXTRA  
UTRUSTNING)

FIRST-AID KIT  
(OPTIONAL  
EQUIPMENT)

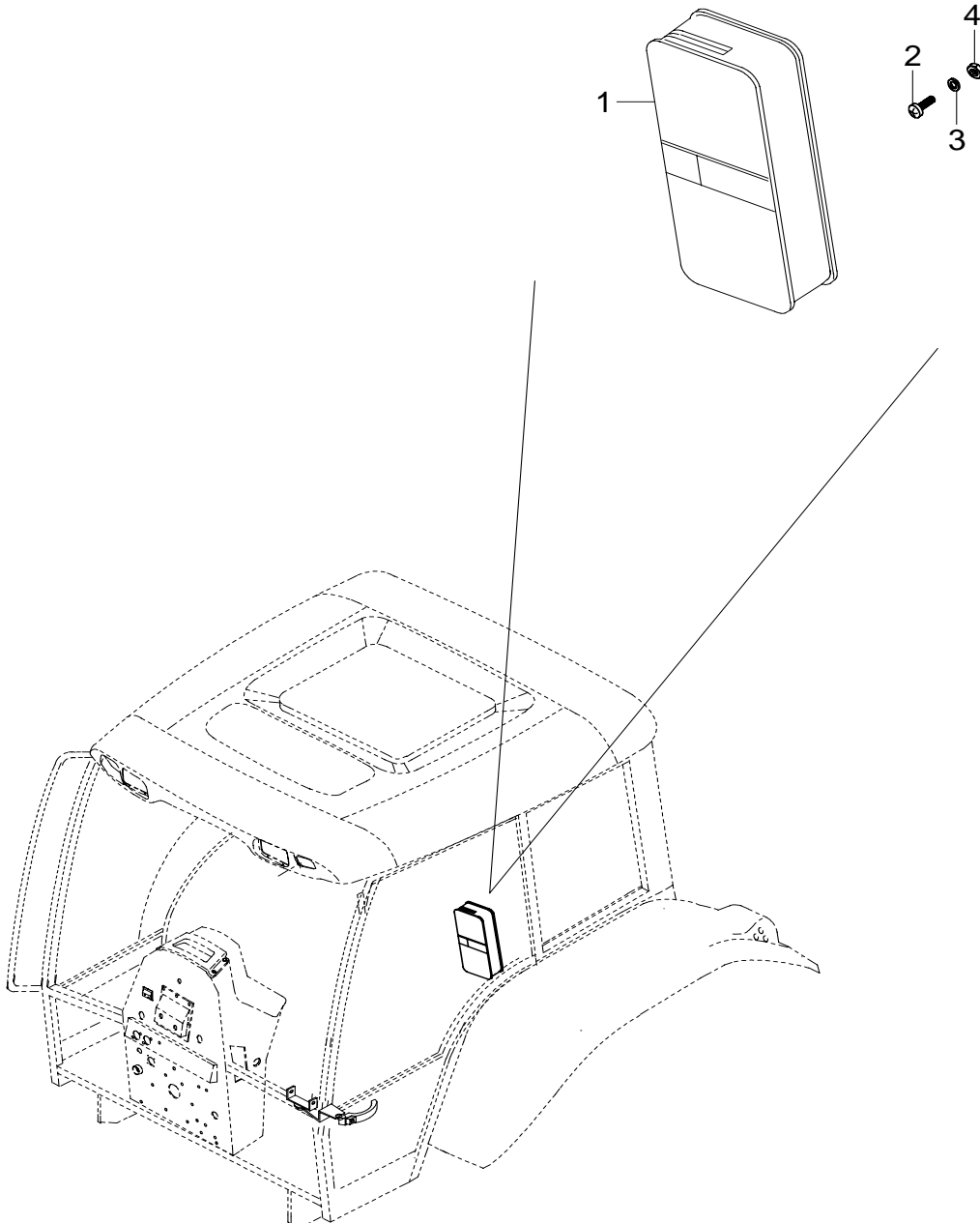
ERSTE-HILFE-  
TASCHE  
(EXTRAZUBEHÖR)

TROUSSE DE  
PREMIERS SECOURS  
(EQUIPEMENT  
OPTIONNEL)

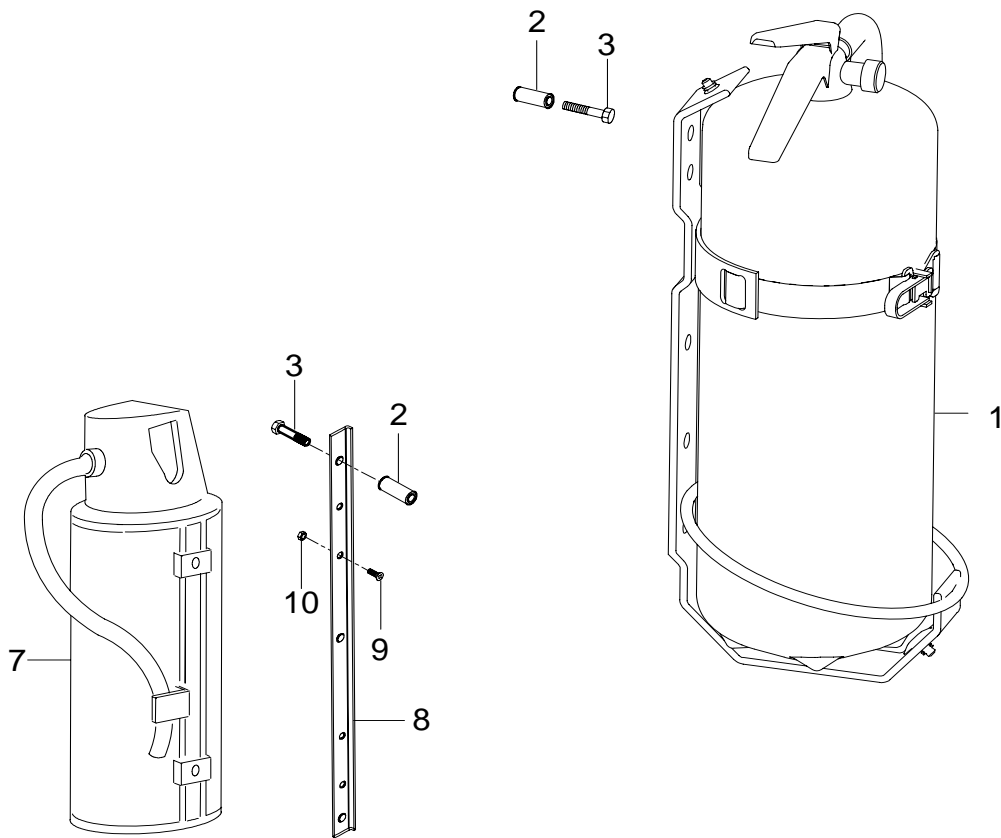
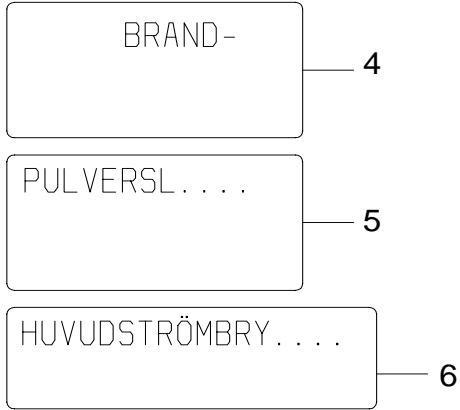
89-71

1.6.2007

T121c, T121h, T131c, T131h,  
T151eh, T151eLS, T161c, T161h,  
T161LS, T171c, T171h, T171LS,  
T191h, T191LS



JAUHESAMMUTIN (LISÄVARUSTE)	PULVERSLÄCKARE (EXTRA UTRUSTNING)	POWDER EXTINGUISHER (OPTIONAL EQUIPMENT)	PULVERLÖSCHER (EXTRAZUBEHÖR)	EXTINCTEUR A POUDRE (EQUIPEMENT OPTIONNEL)	89-73  1.6.2007 T121c, T121h, T131c, T131h, T151eh, T151eLS, T161c, T161h, T161LS, T171c, T171h, T171LS, T191h, T191LS
--------------------------------	-----------------------------------------	---------------------------------------------------	---------------------------------	-----------------------------------------------------	------------------------------------------------------------------------------------------------------------------------------------------



SIVUPEILIT,  
SÄHKÖTOIMISET  
(LISÄVARUSTE)

SIDOSPEGEL,  
ELEKTRISK (EXTRA  
UTRUSTNING)

SIDEMIRRORS,  
ELECTRIC  
(OPTIONAL  
EQUIPMENT)

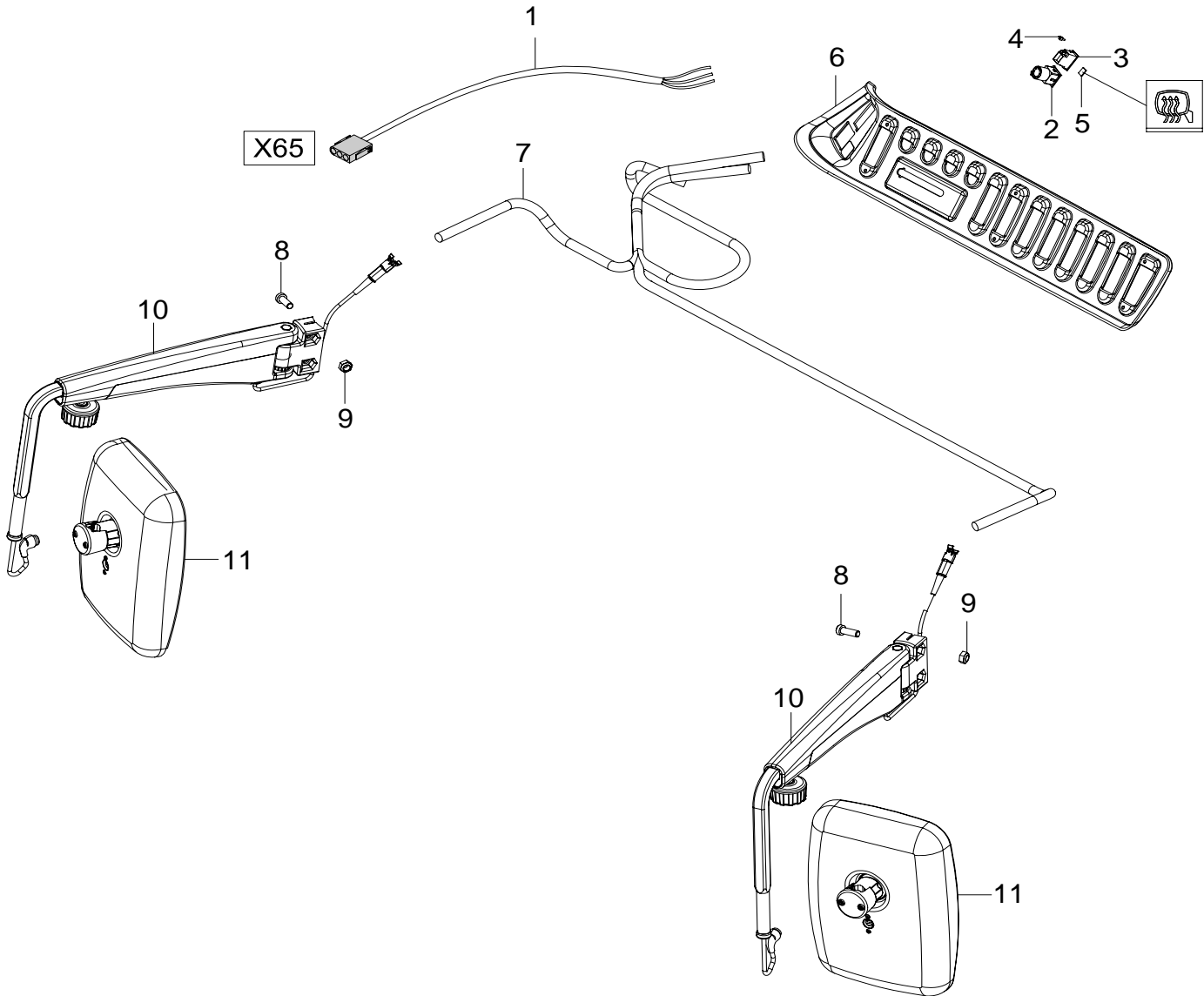
SEITENSPIEGEL,  
ELEKTRISCH  
(EXTRAZUBEHÖR)

RETROVISEURS  
LATERAUX,  
ÉLECTRIQUE  
(EQUIPEMENT  
OPTIONNEL)

89-75

1.6.2007

T121c, T121h, T131c, T131h,  
T151eh, T151eLS, T161c, T161h,  
T161LS, T171c, T171h, T171LS,  
T191h, T191LS



VAROITUSKOLMIO  
(LISÄVARUSTE)

VARNINGSTRIANGEL  
(EXTRA  
UTRUSTNING)

WARNING TRIANGLE  
(OPTIONAL  
EQUIPMENT)

WARNDREIECK  
(EXTRAZUBEHÖR)

TRIANGLEN D'  
AVERTISSEMENT(EQ  
UIPEMENT  
OPTIONNEL)

89-77

1.6.2007

T121c, T121h, T131c, T131h,  
T151eh, T151eLS, T161c, T161h,  
T161LS, T171c, T171h, T171LS,  
T191h, T191LS

